

Combi

Mechacal Handy 2 Cas



EN Instruction manual

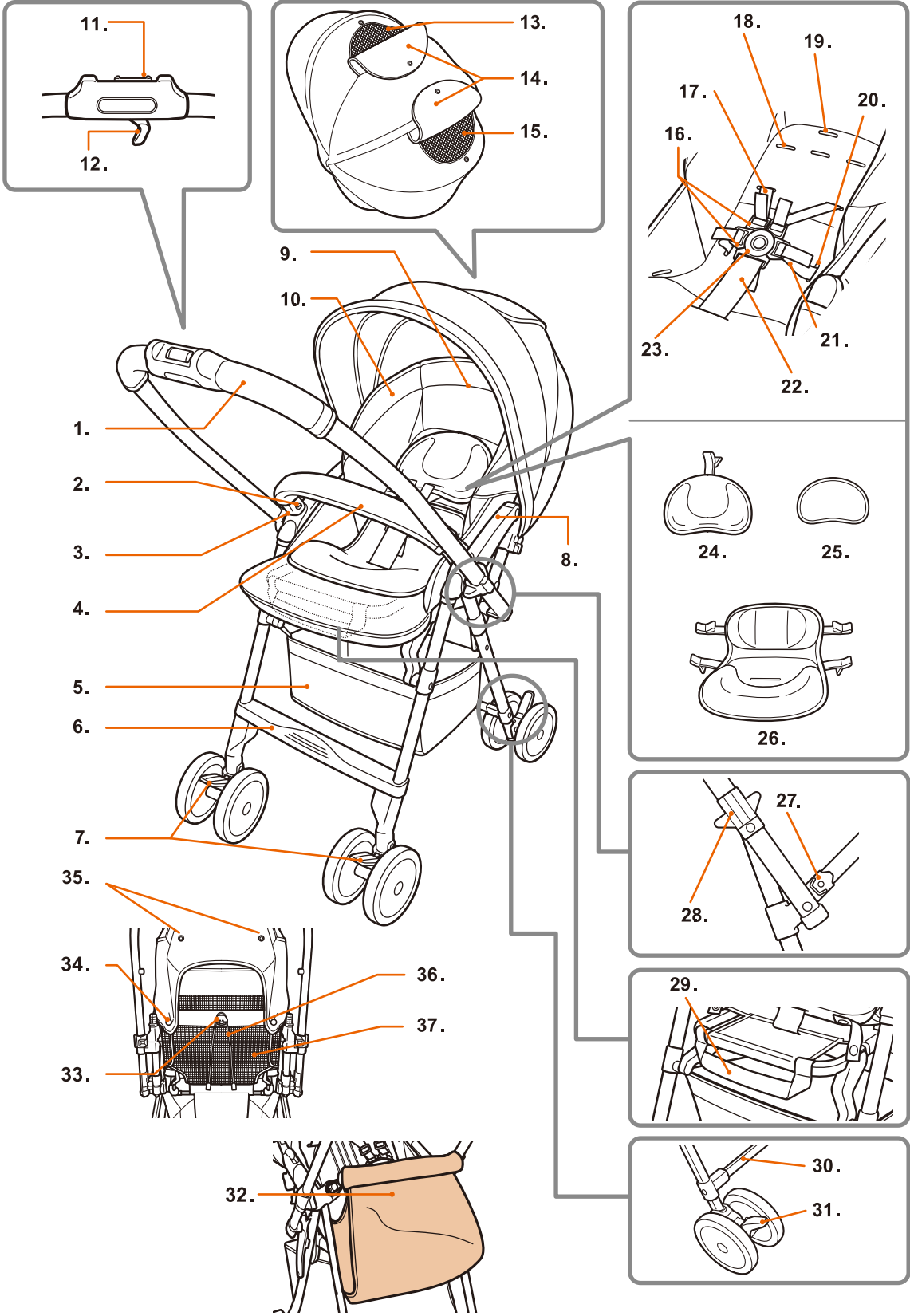
中文 說明書

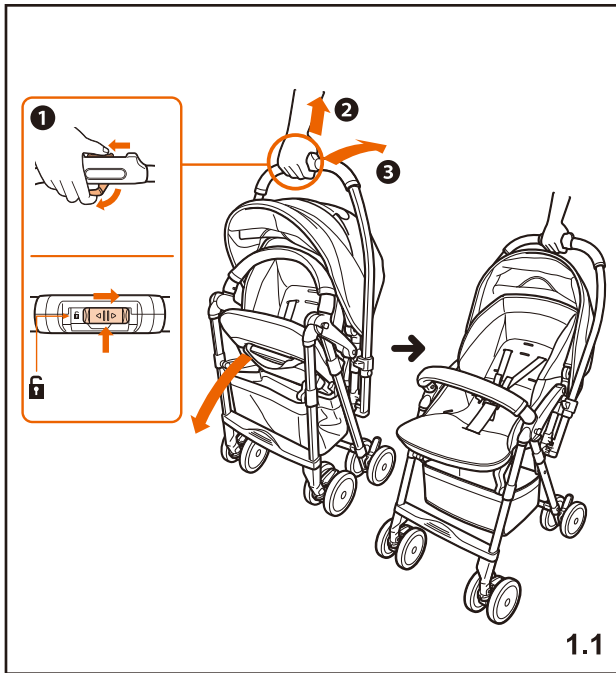
Mechacal Handy 2 Cas

ENGLISH Instruction manual 7

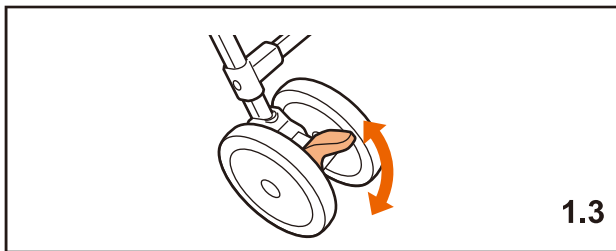
中文 使用說明書 17

List of components

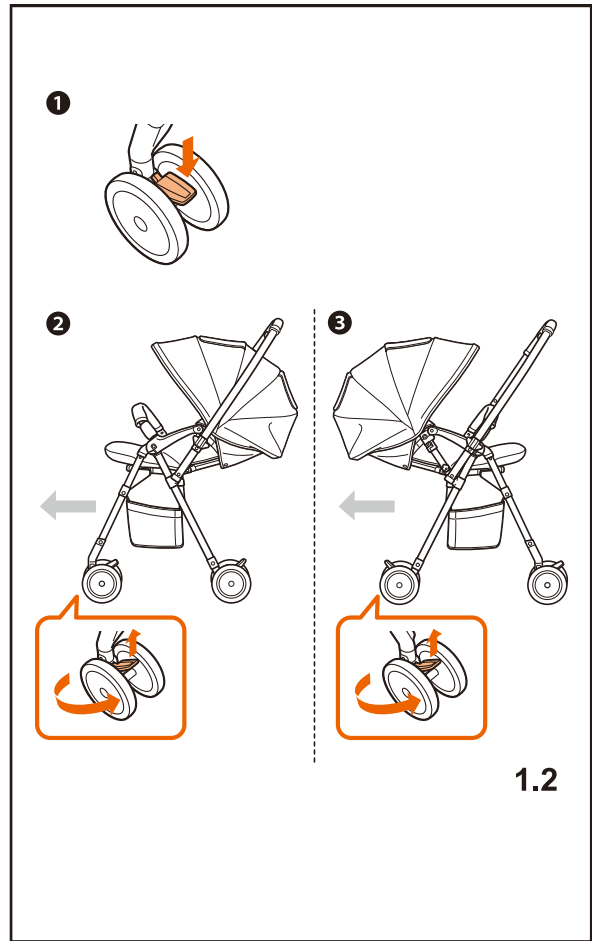




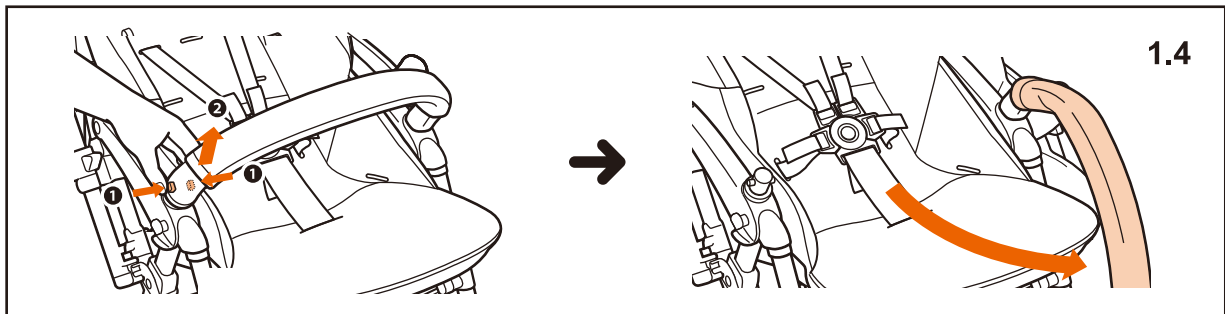
1.1



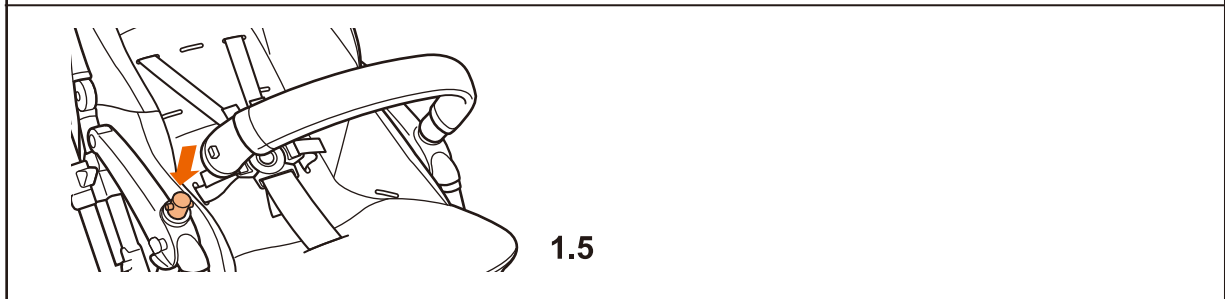
1.3



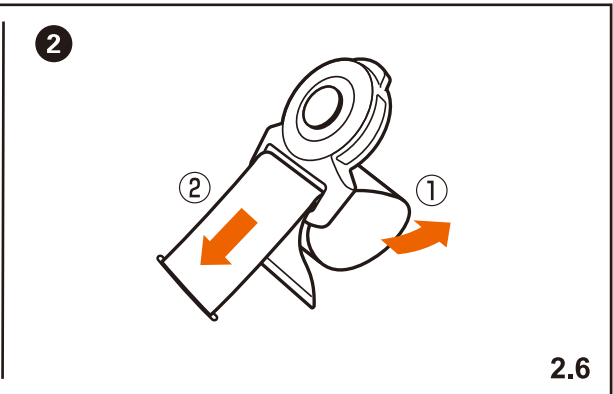
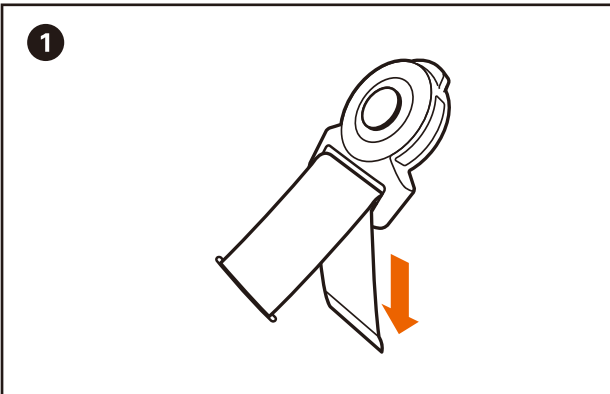
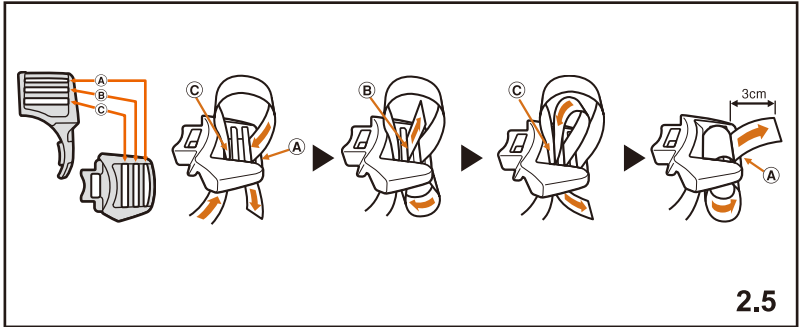
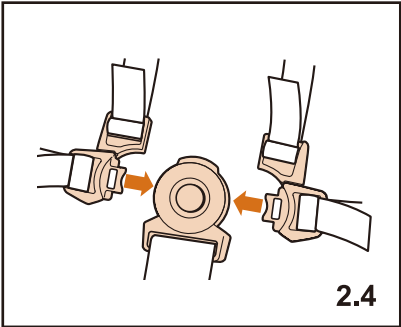
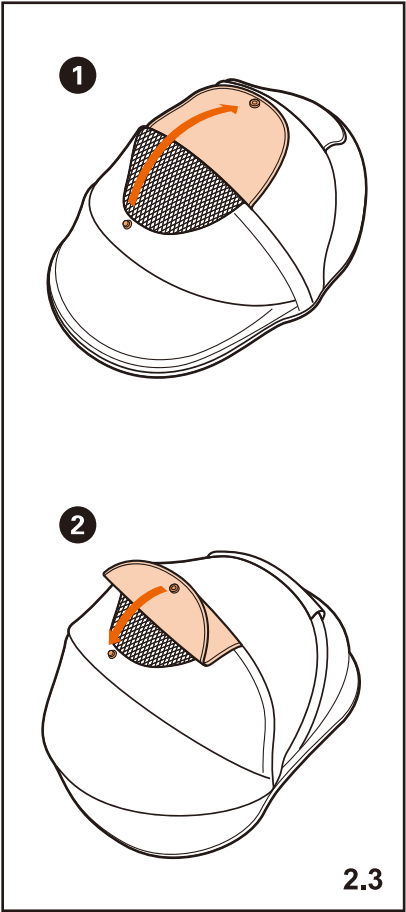
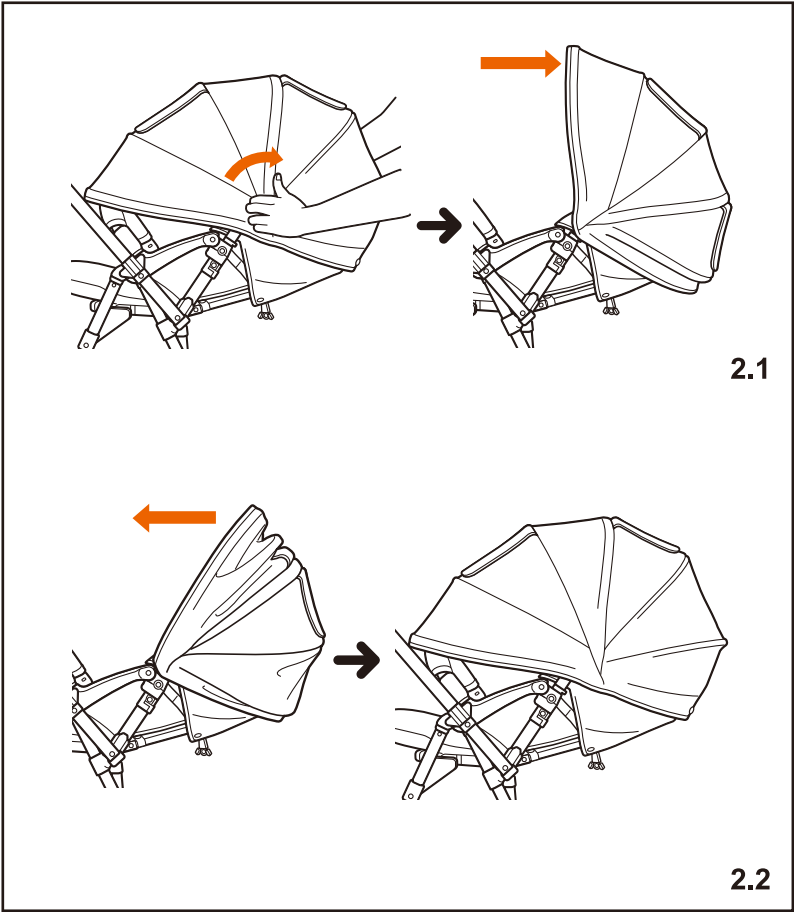
1.2

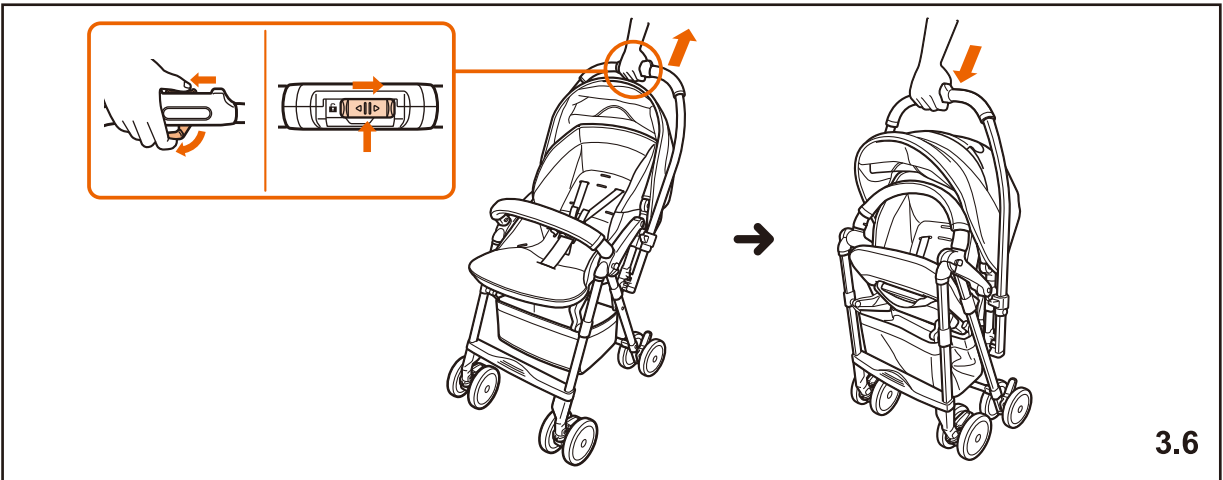
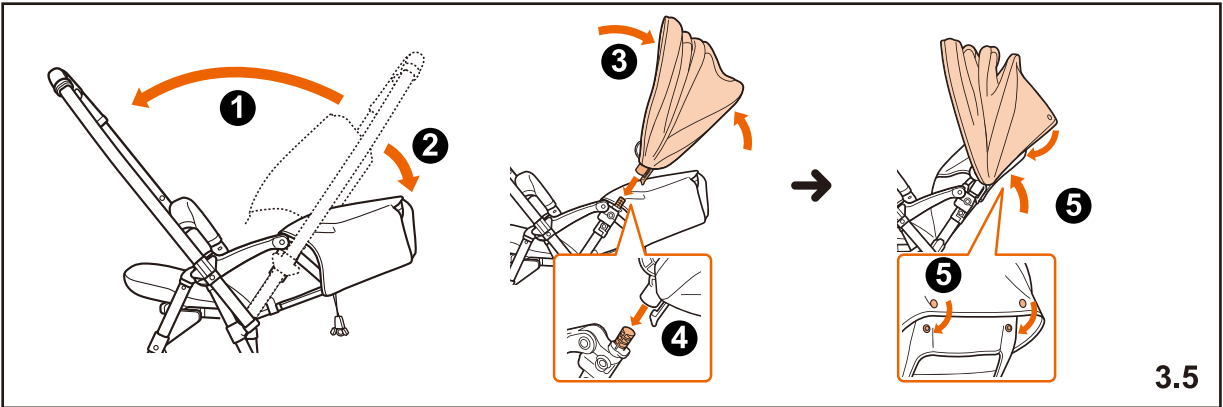
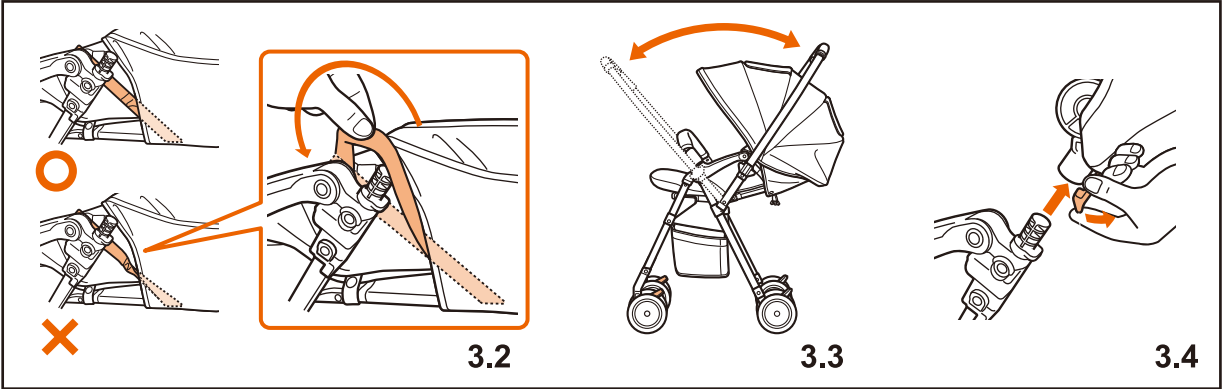
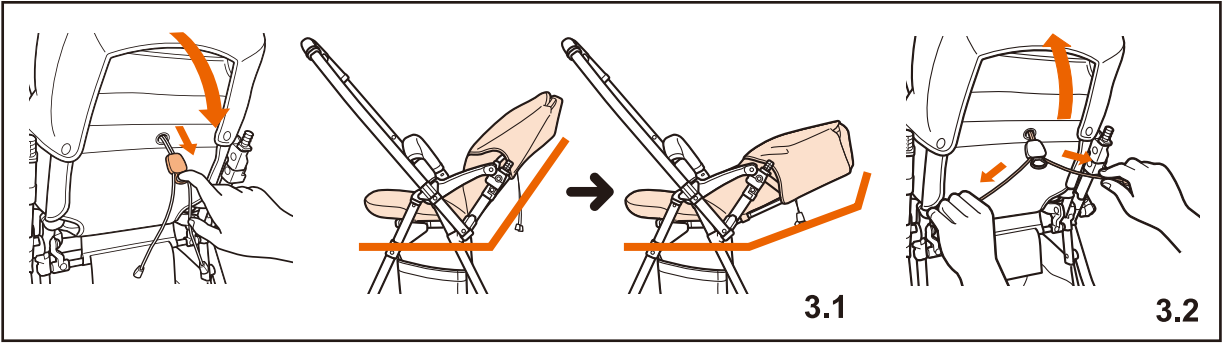


1.4

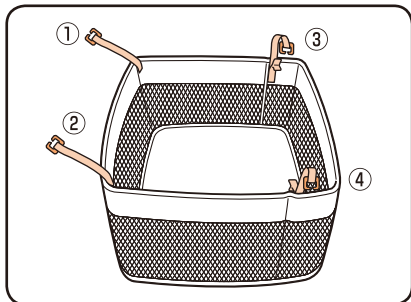


1.5

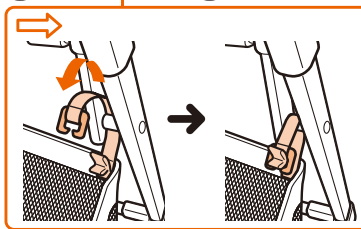
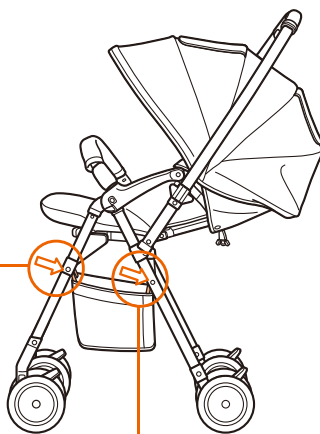




Max : 5kg



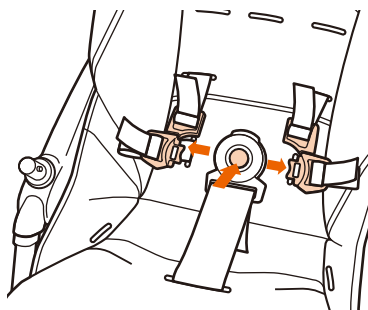
1



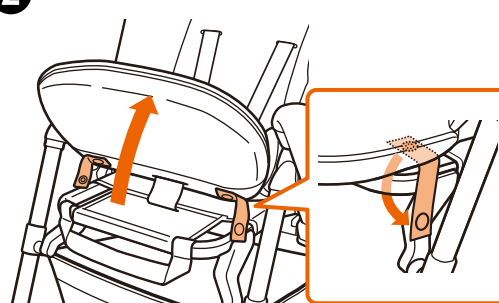
2

4.1

1

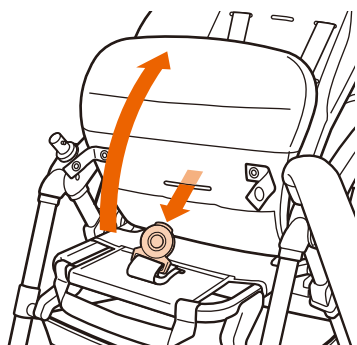


2

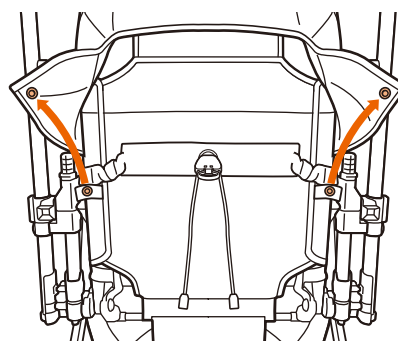


4.2

3

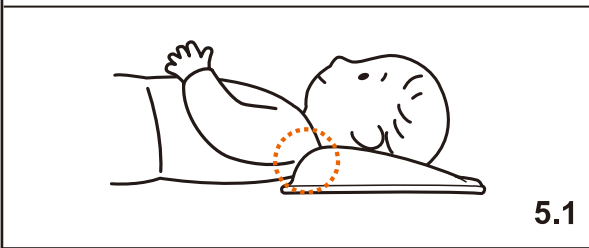
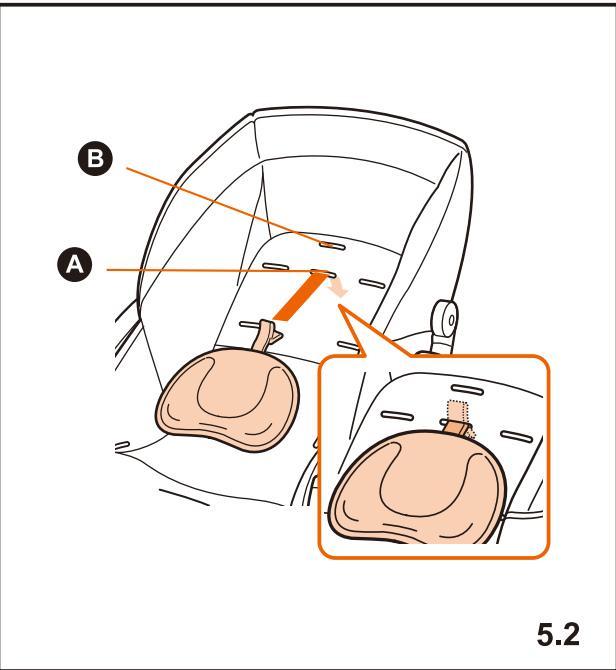
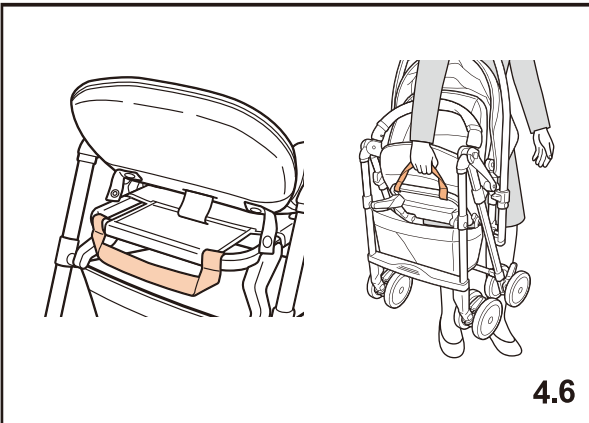
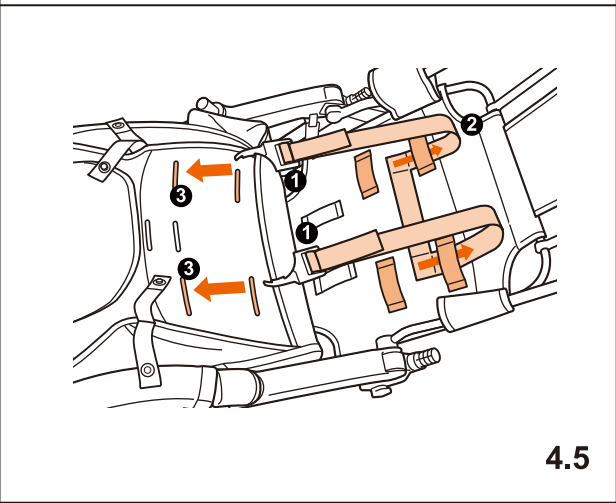
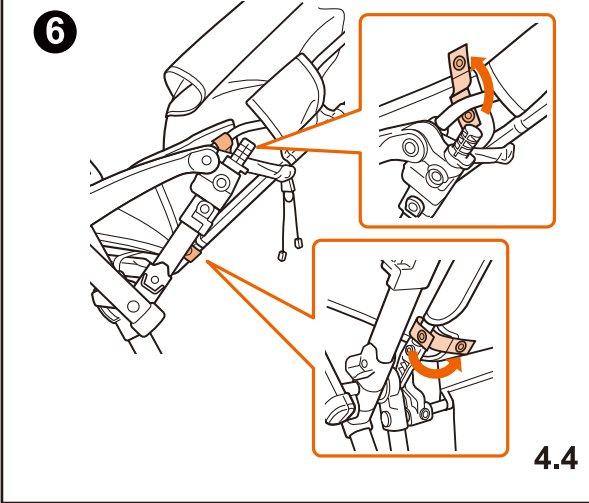
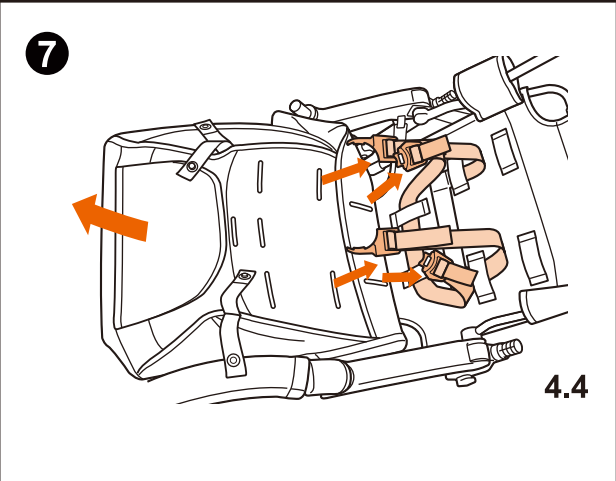
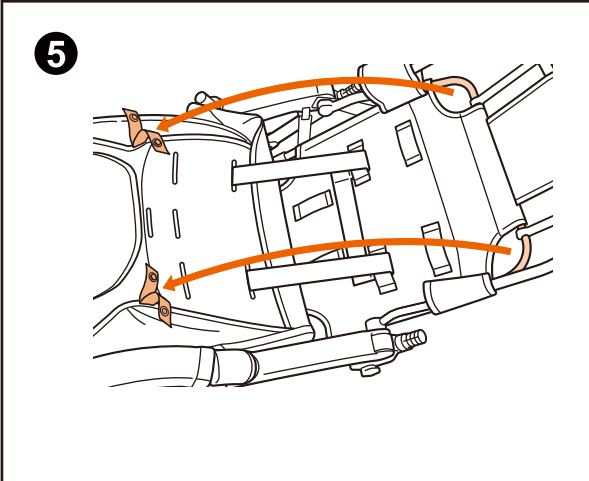


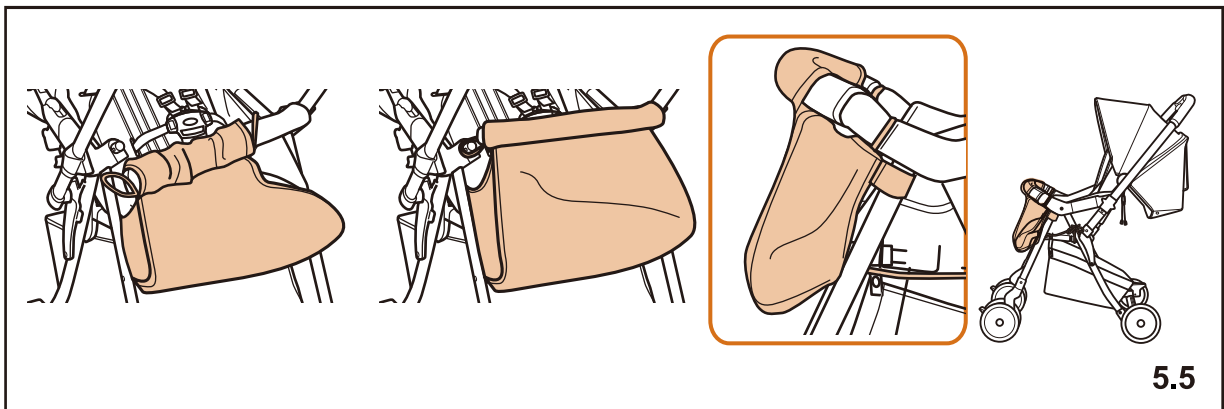
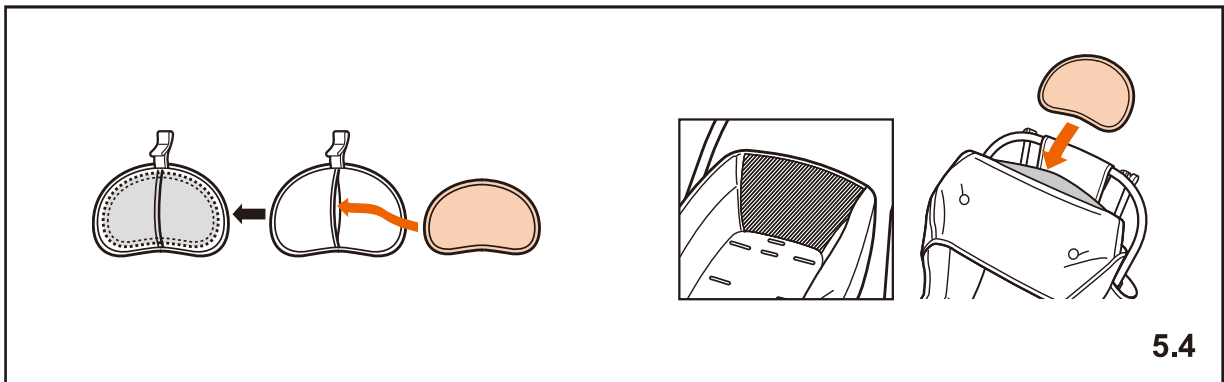
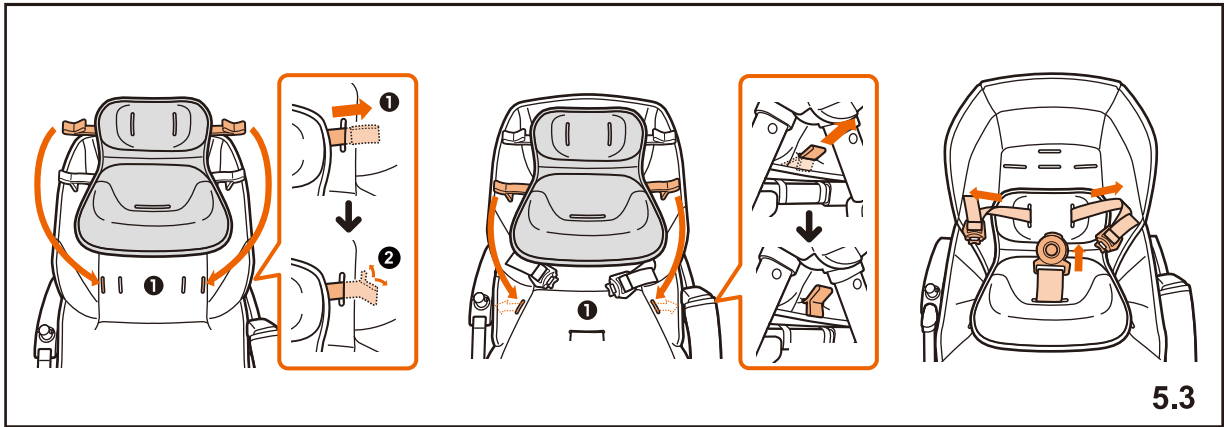
4



4.3

4





IMPORTANT : KEEP THESE INSTRUCTIONS FOR FUTURE REFERENCE.

WARNING

Please read this instruction manual carefully and keep it for future reference. The safety of the child may be seriously endangered if the instructions are not followed.

You are personally responsible for the safety of your child.

EN

- Always use the restraint system.
- Do not use the seat cushion on which rift is found. Otherwise the seat cushion may not function as designed or the child may have chance to swallow the material inside the cushion.
- Make sure all snaps are secured before use. Otherwise accident or damage to stroller may be caused.
- Always let the child wear the seat belt in the stroller to avoid any possible accident.
- Adjust the seat belt to fit to the child.
- Do not cross the shoulder belts with each other when securing the shoulder belts to the insert plastic. Otherwise excessive pressure may be caused to child's neck.
- Loose the shoulder belts before lowering the seat angle with a child seated.
- Adjust the length of seat belt properly after change of the seat angle.
- Always apply the parking brake when you are stationary.
- Keep all small parts away from children as they are choking hazard.
- To prevent the risk of suffocation, always keep the plastic bags out of the reach of children.
- This product is not suitable for running or skating.
- Before each use check the stroller body, and/or seats are installed correctly and securely locked.
- Overloading, incorrect folding and the use of non-approved accessories such as buggy boards may damage or break this stroller.
- Regularly clean and inspect the stroller.
- Do not allow children to play with this product.
- Ensure that all the locking devices are engaged before use.
- To avoid injury ensure that your child is kept away when unfolding and folding this product.
- Do not let your child play with this product.
- When opening or folding up the stroller and reversing the handle, be careful and avoid the seat cushion, seat belt, blanket and toys, etc., pinched into the stroller body.
- For American safety standard : Child may slip into leg openings and strangle. Never use in reclined carriage position unless the permanently attached safety cover is used.
- Misuse may result in severe injury or death.

IMPORTANT : KEEP THESE INSTRUCTIONS FOR FUTURE REFERENCE.

WARNING

- If one give excessive shock to the front wheels when getting over the step, stroller may fall down and cause damages. When stepping over, such as a curb, please slow down even a slight difference level, pull downward the handle and step on the foot-step, and make sure to pass the front wheel to get over the step.
- Make sure the open-fold lock is engaged completely before use. Otherwise the stroller may fold suddenly in use.
- Do not use the stroller on steep slopes, stairs, escalators, rough roads, beaches, mud, etc.
- Do not lift and carry the stroller while a child seated, failure to comply may cause the stroller to fold up suddenly or get hold of the front guard etc. to lift the stroller. Otherwise the stroller may accidentally slip off, or the front guard maybe detached, all of which will cause the stroller to fall down.
- In the event of damage or operation problems, stop using the stroller immediately.
- Avoid serious injury from falling or sliding out. Always use seat belt (crotch belt, waist belt and shoulder belt).
- Pay attention to child even when seat belt is in use in case of any sudden movement of child causing it to fall off.
- Do not allow your child to stand in or on the stroller, it may be dangerous.
- Never leave your child unattended.
- Do not lean on or hang loads on the handle.
- Do not put or hang things on the canopy or handle as it may cause tipping over.
- Do not hang parcels or accessory items (Except items provided in the sales package) on the stroller. Otherwise damage may be caused to stroller.
- Never carry more than one child in the stroller. Do not allow a child to ride or sit on areas other than the seat.
- Excessive weight may cause a hazardous unstable condition exist. (Maximum load: 15kg. Basket maximum load: 5kg.)
- Do not attach other accessory like buggy board on the main body during a child being carried in stroller, otherwise accident or damage to stroller may be caused.
- Stroller may move suddenly or tip over even when stoppers are engaged.
- Do not leave baby stroller at road side or slope even when it is not in use.
- Please do not touch the folding lever except when folding the stroller.
- Do not rely too much on the stoppers even when the stroller is parked empty.
- Even with all stoppers engaged, always stay close to the stroller when it is carrying a child. Make sure to engage all stoppers to avoid sudden movement or tipping over.
- Make sure to use the seat belt when the child is seated. The front guard is not designed to prevent the child from standing up.
- Do not let the child operate the front guard. It may make the child to fall off from the stroller.

CAUTION

EN

- Misuse may result in injury or damage of product.
- Please do not use the stroller in whatever purposes other than seating a baby. Failure to comply may result in damage of the stroller.
- Never leave the child in a stroller without seat cushion. The child's hands or feet maybe get jammed in between the stroller frame.
- Do not let children operate the baby stroller to avoid accident.
- Be careful of those around you to avoid pinching their fingers when you are opening or folding the stroller or adjusting the seat angle.
- Do not pull or twist or forcibly press down the front guard hardly. Otherwise the stroller may be damaged.
- Make sure to fasten the seat belt after seating the baby. Check if the seat belt fits properly. Otherwise the baby may fall off from the stroller.
- Pay particular attention to baby's hands in case they may be pinched when switching the handle's direction.
- Do not apply a lifted seat to baby who cannot sit straight by itself, most reclined seat must be used.
- Lift the backrest a little to use if the seat is found too narrow when fully reclined. However, the baby should be able to sit straight when stroller is used in such way.
- Do not use the most reclined angle if the baby's head touches at the head rest.
- Do not let an adult sit on the stroller, or add load on the stroller to avoid any damage to it.
- When pushing the stroller, please walk slowly to avoid any damage to the stroller swivel wheels or any tipping over happened.
- Do not load more than 5 kg into the basket to avoid damage.
- When pushing the stroller, please pay attention to any hole or track on the ground to avoid the front wheel from accidentally getting jammed and tipping over.
- Do not use the stroller in snowy, windy days or wet road to avoid the stroller or guardian from slipping.
- Do not use the stroller in lightning days to avoid thunder stroke.
- Avoid continuous outdoor usage particularly during day time in summer.
- Avoid storing the stroller in places that under high temperature, near a heat source or inside a car. Exposure to high temperature may damage or deform the stroller.
- Do not remodel or restructure the stroller by yourself.
- Check regularly that all screws, bolts and nuts are engaged tightly.
- Do not use the stroller on public vehicles.
- Swivel wheel lever should be secured at the same side of the pushing person.

CAUTION

- Lever secured in wrong position may affect maneuvering or damage the product.
- Lift front wheels to cross obstacle etc. which is over 3cm of height. Do not hit front wheels directly to obstacle or wheels may be damaged.
- Lift front wheels and pay particular attention to gaps or ditch when crossing rail road.
- No continuous use for a long period.
Continuous use for a long period of time may exhaust baby. No continuous use of more than 2 hours for a baby seated in a reclined seat and 1 hour in an upright seat.
- For use on trains
This product is not designed to be used on trains. When user attempts to use the product at his/her own risk, please lock stoppers in case of sudden brake or turning. Otherwise stroller may fall off.
- Open the baby stroller in clear area to avoid pinching baby's finger.
- Do not press on the folding lever while lifting the stroller to avoid damage to the parts.
- Make sure to lock the safety lock after folding up the baby stroller.
- Make sure to release the lock before opening the stroller, misuse may damage parts.
- When feel jammed, please do not forcibly fold the stroller to prevent from any damage. You should re-open the stroller to check and operate again.
- Make sure the basket is empty before folding up the stroller.
- Make sure the canopy is completely folded up before folding the stroller to avoid damage of the parts.
- Turn swivel wheels to inner side and lock up before folding the stroller. Improper position may cause stroller becoming imbalanced after folded.
- Be careful not to pinch the baby's hands or feet when reversing the handle.
- Check the baby's situation from the front side before reversing the handle.
- Do not reverse handle while pushing the stroller.
- Do not touch at the handle lock when folding or unfolding the stroller. Otherwise damage may be caused to the stroller.
- Even when empty, always engage all stoppers since the stroller may suddenly move.
- Swivel wheels when secured in wrong position may obstruct smooth strolling. Make sure it is secured in correct position.
- Do not lay down the stroller and do not put things on the canopy to avoid deformation.

CAUTION

- Do not get hold of an opened front guard to pull the baby stroller.
 - Do not forcibly press on the front guard to avoid damage.
 - The used insert outlet from the base seat and the cushion should be matched. (e.g. upper insert outlet of base seat should match with upper insert outlet of cushion.) Otherwise, the shoulder belt may not be long enough to harness the baby.
- EN**
- It is extremely dangerous to adjust the seat angle when pushing the stroller. Do stop the stroller first before operation.
 - Do not suddenly change the seat angle while a child is seated.
 - Support the backrest with the other hand when lowering the seat angle with a child seated.
 - Do not put things that are too sharp or too large into the basket since it may cause damage to the basket.
 - Only use neutral detergent to clean the stroller body.
 - Make sure no oil or lubricant is left on parts such as front guard or armrest where baby may have chance to lick.
 - The parking device shall be engaged when placing and removing the child.

SAFETY INSTRUCTIONS

Use Mechacal Handy 2 Cas for only one child at a time.

- The stroller is suitable for children from 1month to 15kg (approximately 3 years of age)
- Keep your child and your fingers/hands away from moving/folding parts when folding or unfolding or adjusting the stroller.
- Never lift the stroller or use it on escalators or stairs when your child is sitting or lying in the stroller.
- This stroller requires regular maintenance by the user.
- Before each use check that the product and all its components have not been damaged during transportation.
- If damage is identified, do not use the product and keep it out of reach of children.
- Never leave the stroller close to stairs or steps.
- Only use on a flat, relatively smooth, stable and non-slippery surface.
- Only use original accessories and parts that have been approved by the manufacturer. Do not make any modifications to the product.

LIST OF COMPONENTS

1. Handle	15. Ventilation window	28. Handle lock
2. Front guard buttons	16. Shoulder and waist belt buckle	29. Carrying grip
3. Front guard	17. Shoulder belt	30. Rear stay
4. Front guard cover	18. Shoulder belt insert outlet	31. Stopper
5. Basket	19. Head support insert outlet	32. ASTM foot cover (Only for packages that comply with ASTM safety standard)
6. Foot rest	20. Waist belt insert outlet	33. Seat reclining buckle
7. Swivel wheel lock	21. Waist belt	34. Snap
8. Armrest	22. Crotch belt	35. Canopy snap
9. Headrest	23. Crotch buckle	36. Reclining cord
10. Seat cushion	24. Head support	37. Back ventilation window
11. Safety lock	25. Eggshock pad	
12. Folding lever	26. Body & Hip support	
13. Top window	27. Open/Fold lock	
14. Top window cover		

INSTRUCTIONS

Unfolding/Opening (Figure 1.1)

- 1 Slide the safety lock as demonstrated direction and hold it in place.
- 2 Grip and pull the folding lever upwards simultaneously.
- 3 Slightly lift the stroller and open it.

Using the swivel wheels (Figure 1.2)

- 1 To use the swivel wheels
Press down the swivel wheel locks (left and right) to release.
- 2 Swivel wheels not in use
Lift the swivel wheel locks (left and right) to lock when using on rough surface.

CAUTION: Swivel wheel lever shall be secured at the same direction of the user, wrong locking position may cause to damage.

Using the stoppers (Figure 1.3)

- a. To lock wheels, press the stoppers down which are located at rear wheels on both left and right sides.
- b. Try to push the stroller back and forth slightly to ensure that the stoppers are properly engaged.

NOTE: Check the stoppers are fully engaged by gently attempting to push the stroller.

WARNING: Always engage the stoppers when you leave the stroller.

Release the stoppers

- 1 Lift the stoppers to unlock.

Open the front guard (Figure 1.4)

- 1 Press and hold the button at the end of the front guard as illustrated.
- 2 Detach the front guard.

Attach the front guard (Figure 1.5)

To attach front guard, lift and plug into the projected part at the end of the armrest.

Sun Canopy (Figure 2.1)

Unfold the canopy from backward.

(Figure 2.2)

Full size canopy: Pull canopy forward to adjust the size.

Top window (Figure 2.3)

- ❶ Open top window by releasing snaps.
- ❷ Fasten the snap to close top window.

Safety Harness (Figure 2.4)

- a. Shoulder and waist buckles are overlapped and secure into crotch buckle.
- b. Press the crotch buckle button to release the harness.

NOTE: When changing the seat recline angle, always check the harness to ensure it is still optimally adjusted.

WARNING: Always use the restraint system.

Adjusting the waist belt (Figure 2.5)

Pull the belt in the direction as illustrated to adjust its length.

NOTE: Always leave at least 3cm at the belt end.

NOTE: To release harness, go in the steps reverse.

The steps of adjusting shoulder and waist belts are the same.

Adjusting the crotch belt (Figure 2.6)

Tightening - Pull the center belt end as shown direction.

Extending - Pull out the length needed to adjust to direction ❶ . Pull toward direction ❷ to extend the crotch belt.

NOTE: Always use the crotch belt together with the waist belt and shoulder belt and make sure they are properly adjusted.

Adjusting the backrest (Figure 3.1)

Support the backrest with one hand before reclining the backrest.

The headrest will be lifted automatically after the backrest is reclined. (movable headguard)

(Figure 3.2)

Pull the reclining cords as illustrated to raise the seat back.

NOTE: Raising the backrest may be difficult while a child is leaning on the backrest.

The reclining belt sometimes is twisted, Correct the twisted reclining belt by the following steps:

- ❶ Set the backrest down to the lowest.
- ❷ Hold the belt mounting part and turn to the direction of the twisted reclining belt.

Reversing handle (Figure 3.3)

Lift and release the handle locks to change the handle direction until the locks are secured in places.

Detaching the sun canopy (Figure 3.4)

Pull out the canopy joint end gradually, pull up the canopy away from the holder.

Attaching the sun canopy (Figure 3.5)

- ❶ Switch the handle to face rear. Refer to this page "Reversing the handle".
- ❷ Recline the backrest to the lowest angle. Refer to this page "Adjusting the backrest".
- ❸ Place the canopy facing the proper direction.
- ❹ Plug the canopy joint into the canopy holder.
- ❺ Lift up the backrest, and fasten the canopy snaps.

Folding the stroller (Figure 3.6)

- ❶ Slide to release the safety lock of direction as illustrated.
- ❷ Grip the folding lever and slightly lift up the handle, then press down the handle as illustration to fold the stroller.

WARNING: When opening and closing the stroller, please ensure your child and other children are kept at a safe distance. Please ensure that they are not in contact with any mounting parts. Remove all items from the basket before folding the stroller.

Basket (Figure 4.1)

The basket can carry a maximum weight of 5kgs. You can attach and remove it using the belts and snaps according to step 1, 2.

Removing the seat cushion (Figure 4.2-4.4)

- ❶ Press the crotch buckle release button and release the harnesses.
- ❷ Release the snaps (2 places) in the inner side of the seat cushion then user can start to remove the seat cushion.
- ❸ Release the crotch belt from the seat cushion.
- ❹ Release the snaps underneath (base board) and pull out the installation belt.
- ❺ Release the left and right snaps which are secured to the base board.
- ❻ Release the snaps of the side tube.
- ❼ Remove waist belt and shoulder belt and then remove seat cushion from base seat.

NOTE: To install seat, go in the steps reverse.

WARNING: Make sure the seat cushion has been correctly attached before use.

Adjust shoulder harnesses heights (Figure 4.5)

- ❶ Pull out shoulder harnesses from seat cushion and base seat.
- ❷ Set the correct slots of shoulder harnesses through on the base seat.
- ❸ Set correctly the harness shoulder heights and pull it out through relevant slots of seat cushion.

NOTE: The lowest shoulder harness insert outlet should be used for children under 6 months.

How to use of Carrying grip(Figure 4.6)

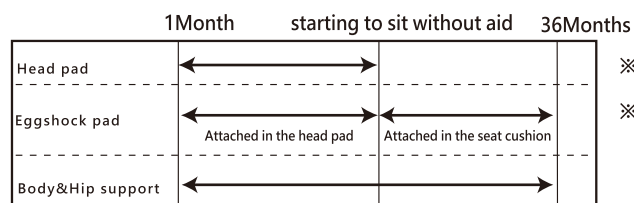
Carrying grip is used for carrying the folded stroller.

From the handle of folded stroller, grab the attached carrying grip on the seat frame, Carry the handle under the armpit.

Installing the Dacco Seat (Figure 5.1)

Correct position of head support - The cushion pad of the head support should just touch at the child's neck.

Support cushion installation reference



※1 Put Eggshock pad into pocket on seat cushion to use.

※2 Indicated age for reference only, please apply according to child's body size.

Installing the head support (Figure 5.2)

Loop the head support belt through the head support hole, the belt is tipped opposite through the hole to attach. After it is installed, check if it is well secured to the seat cushion or not by slightly pulling.

Reference for head support insertion outlets (A) (B)

(A) for child from around 1 month to 4 months (B) for child from around 4 months to 7 months.

Installing Body & Hip support (Figure 5.3)

① Pass the rear side belt through the body support belt hole of the seat cushion.

The belt is tipped opposite through the hole to be attached.

② Pass the seat side belt through the hip support belt hole of the seat cushion.

The belt is tipped opposite through the hole to be attached.

To use with Eggshock pad (Figure 5.4)

Putting into the head support to use.

The Eggshock pad can be inserted into the head support of Dacco Seat to protect child from the vibrations from the ground when strolling.

Insert the Eggshock pad from the rear pocket of the head support.

Installing the ASTM foot-cover (Figure 5.5)

1. Press and hold the button at the left end of the front guard, put a band and foot cover onto the front guard as illustration.
2. Tie up another band to the projected part, plug the front guard into the projected part at the end of the armrest.
3. To attach front guard and fasten the holding strings to the rear leg tubes to complete the installation.






Hints for maintenance

- Never apply force on any mechanism or moving parts.
- To prevent mildew forming, do not store this product when wet or in a humid environment.
- Protect the product from rain, snow and prolonged exposure to sunlight.
- Clean the plastic and metal parts with a wet cloth. For stubborn stains, use a diluted mild detergent.
- You may lubricate moving parts if the operation or movement of the stroller is not smooth. Do not apply excessive lubricant as it may lead to a build up of dirt which may cause malfunction.

Cleaning and maintaining fabrics

- Always following the washing instructions listed below as well as those attached to the various fabric parts.
- Dry the fabric parts completely before using or storing it.
- Hand wash in warm water (Below 30 degrees celsius).

Fabric care guidelines

 Hand wash in warm water	 Do not tumble dry	 Do not dry clean
 Do not bleach	 Do not iron	

Combi Corporation

166306000