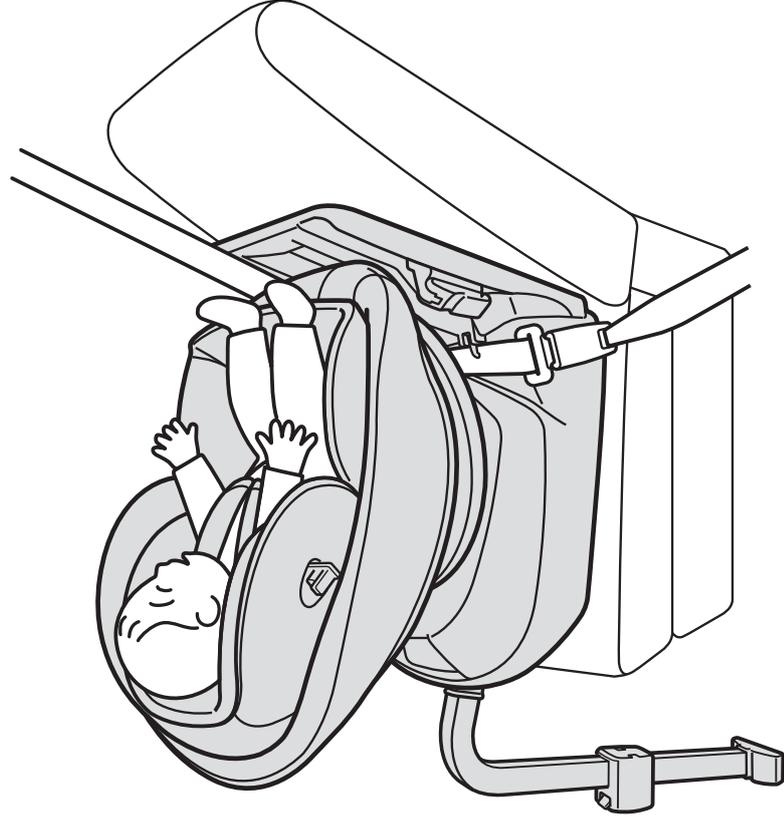


Combi

Combi Child Car Seat Cradling 360



中文

使用說明書

EN

INSTRUCTION MANUAL

IT

MANUALE ISTRUZIONI

PT

MANUAL DE INSTRUÇÕES

RU

РУКОВОДСТВО С ИНСТРУКЦИЯМИ

ES

MANUAL DE INSTRUCCIONES

KO

사용설명서

中文

.....12

ENGLISH

.....22

ITALIANO

.....34

PORTUGUÊS

.....46

РУССКИЙ

.....58

ESPAÑOL

.....70

사용설명서

.....82

1

	570	520	470
頭部 Head pad			
Egg shock pad 墊		 Egg shock pad 墊	
肩部 Shoulder			
座部 Seat			

2

G0+

G1

2a

2b

2c

3

3a

3b

3c

3d

3e

4

4a

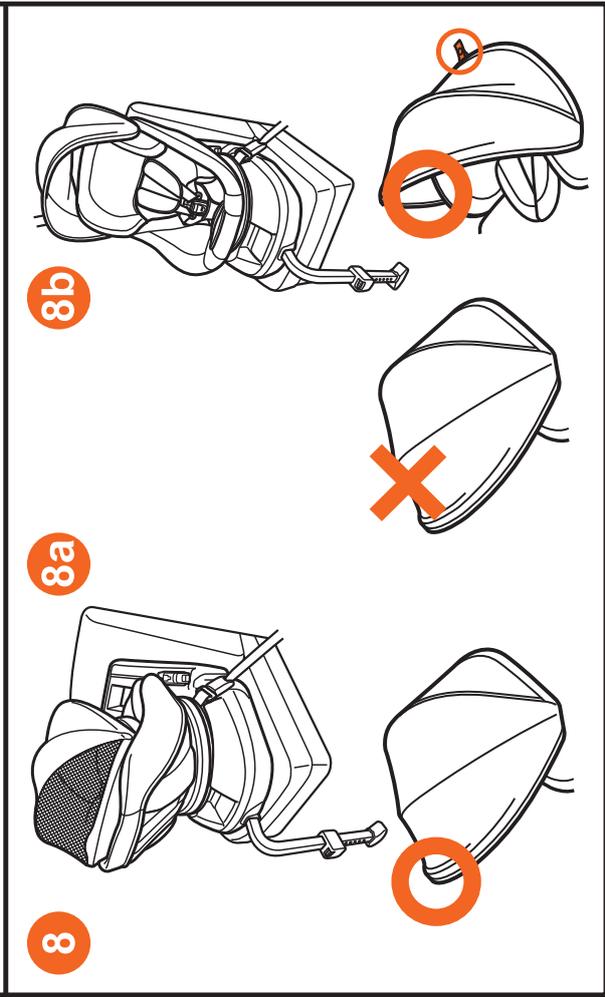
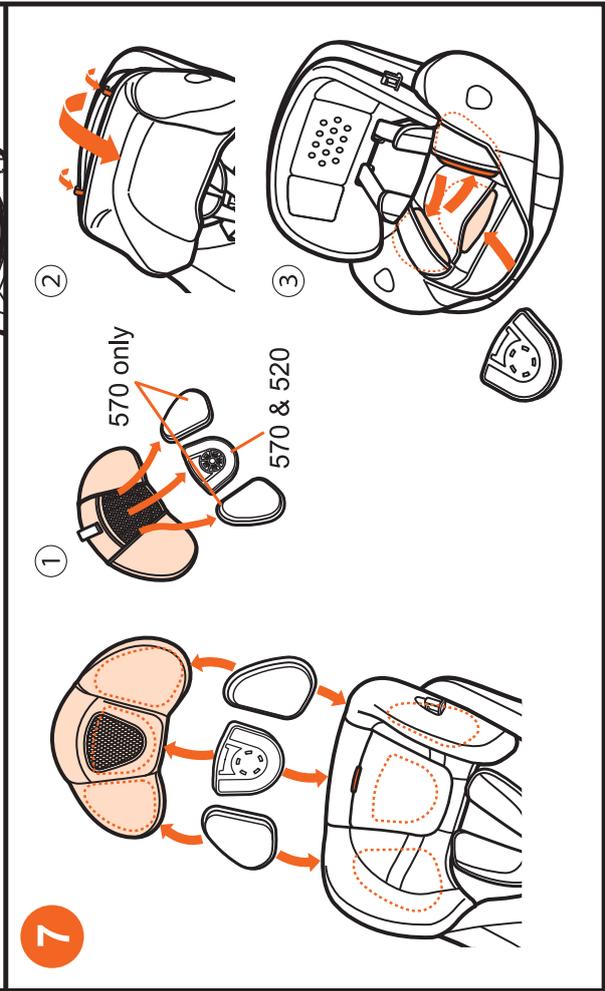
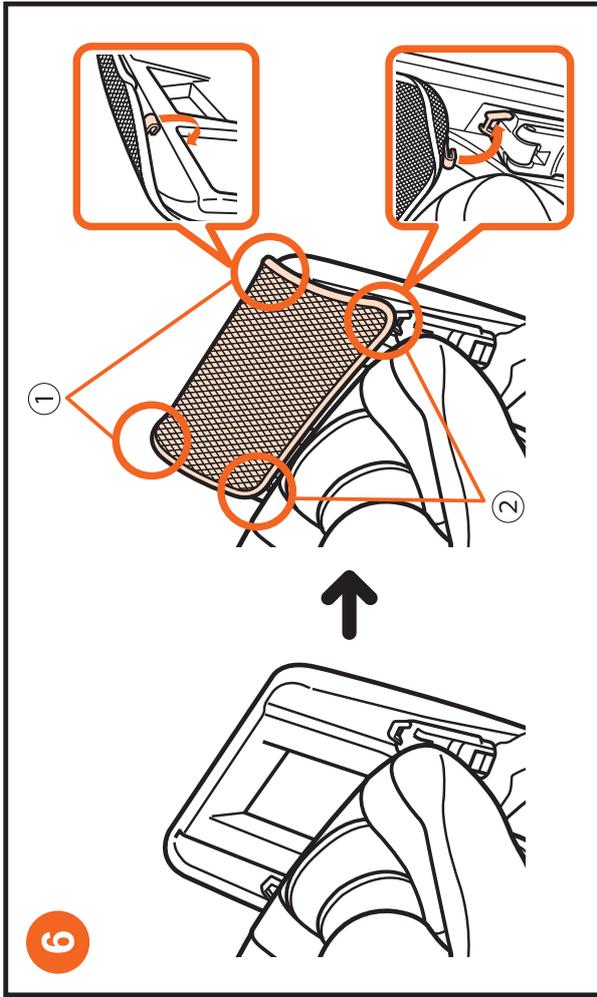
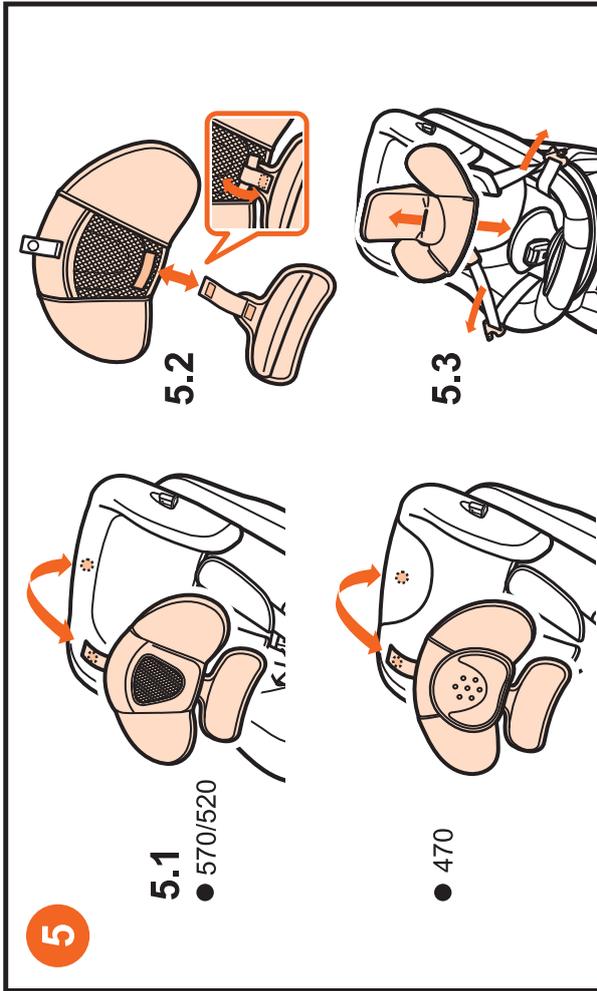
4b

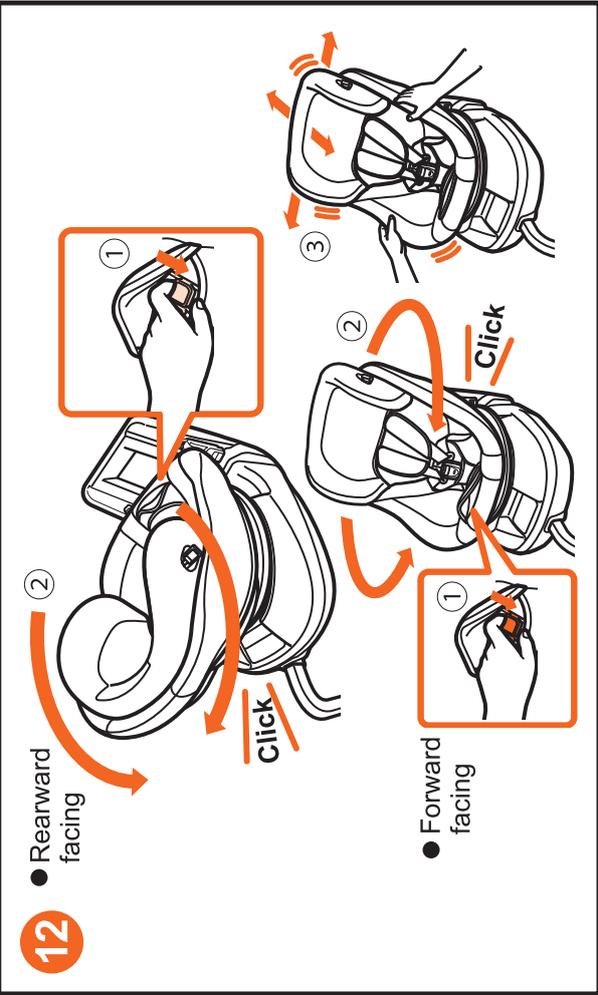
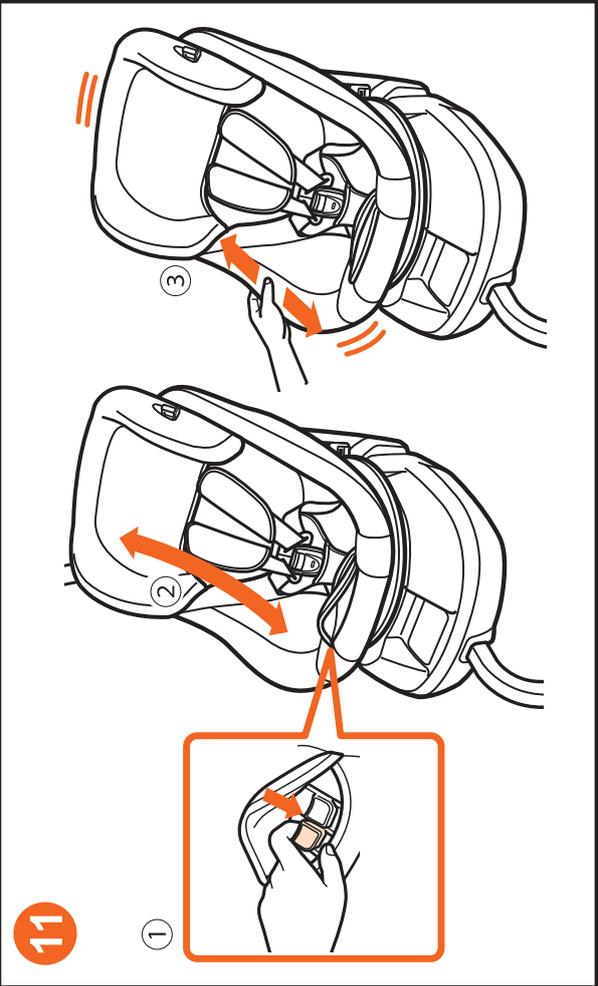
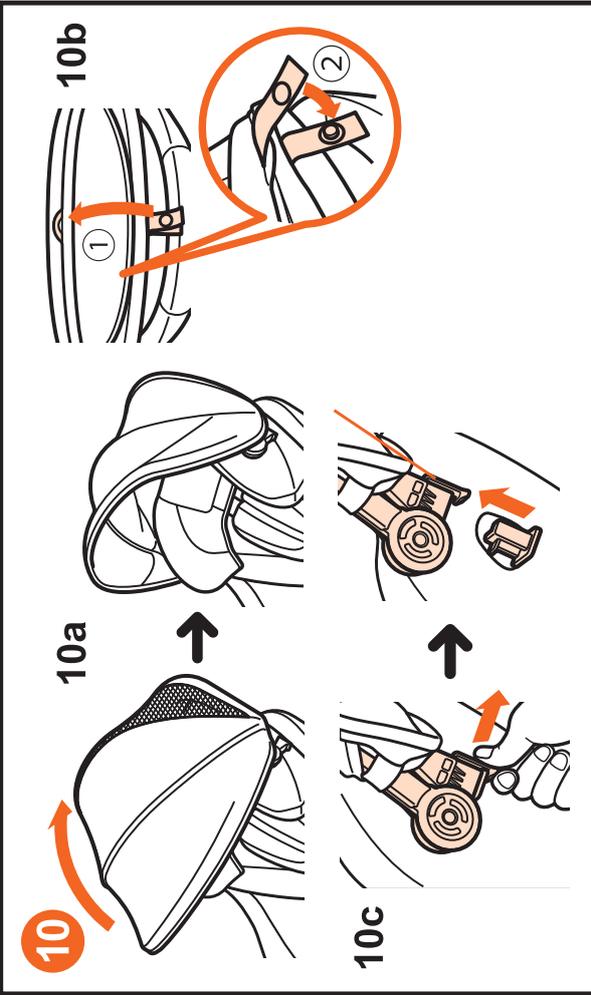
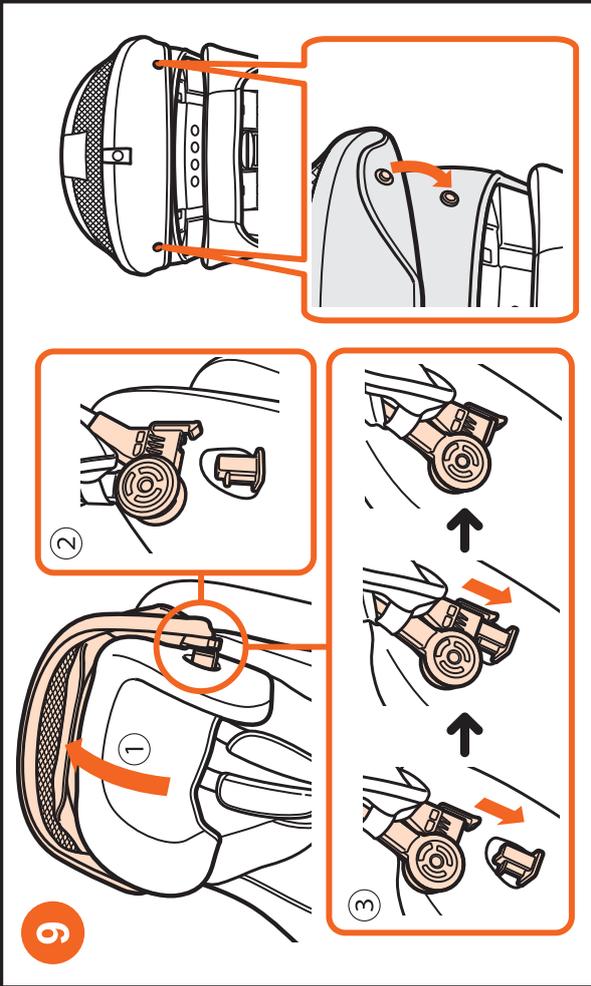
4c

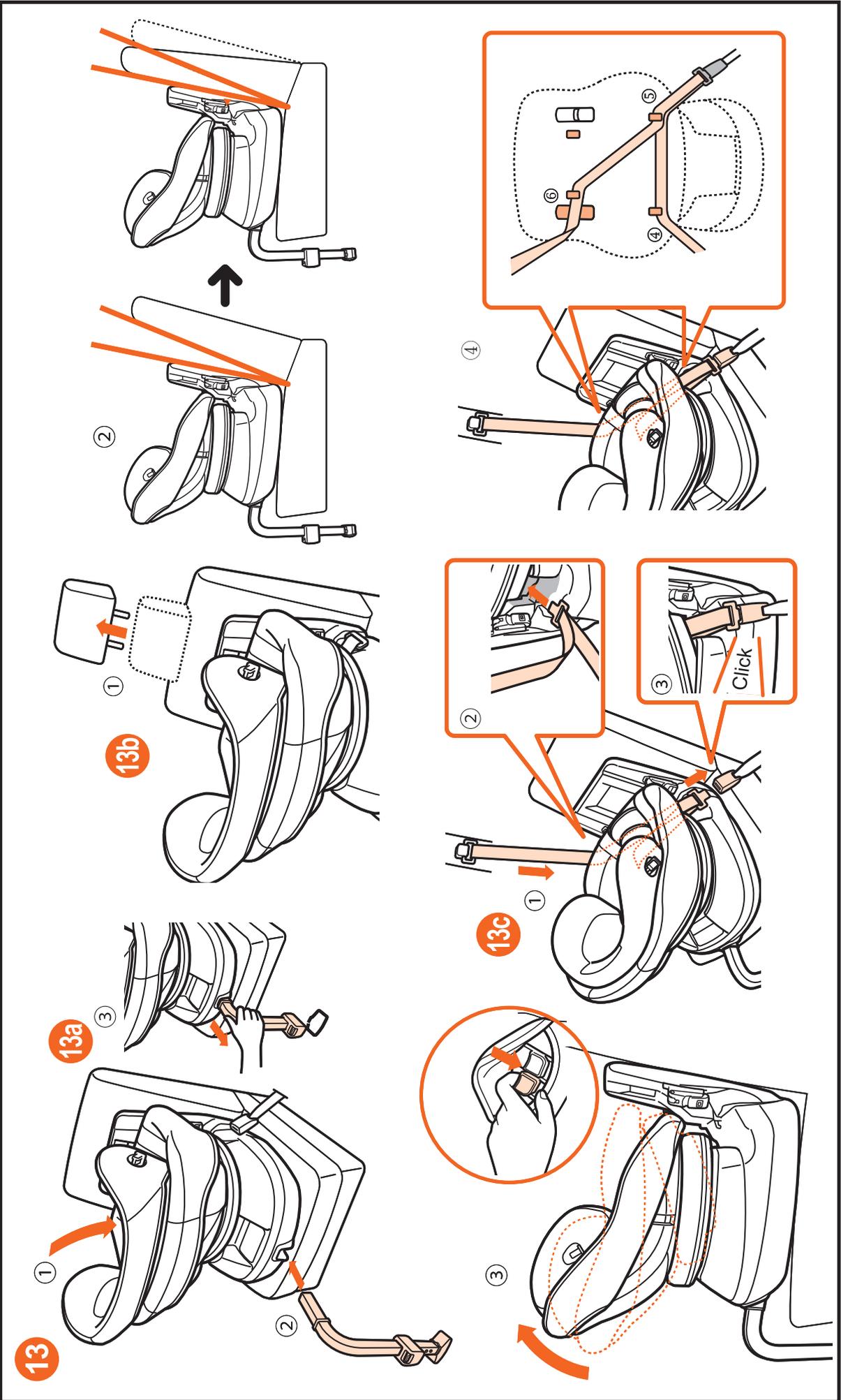
4d

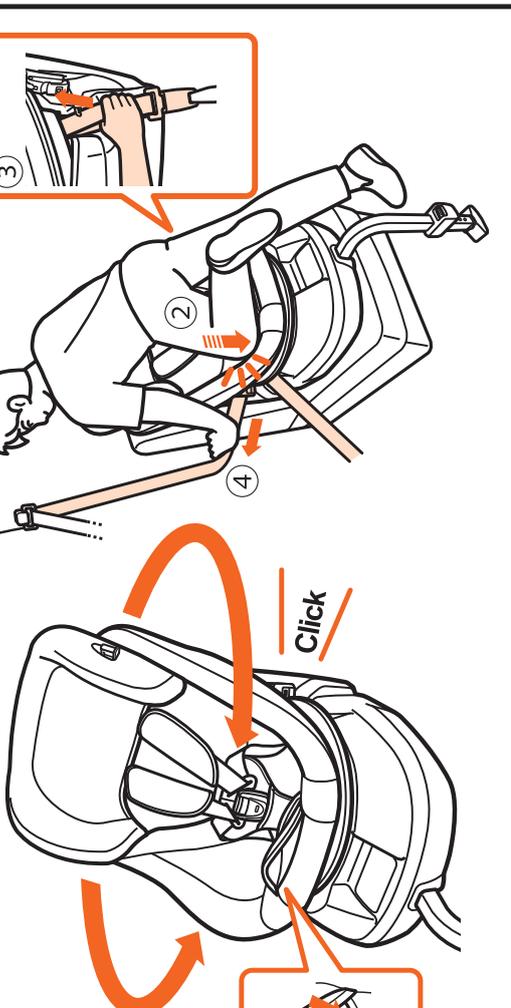
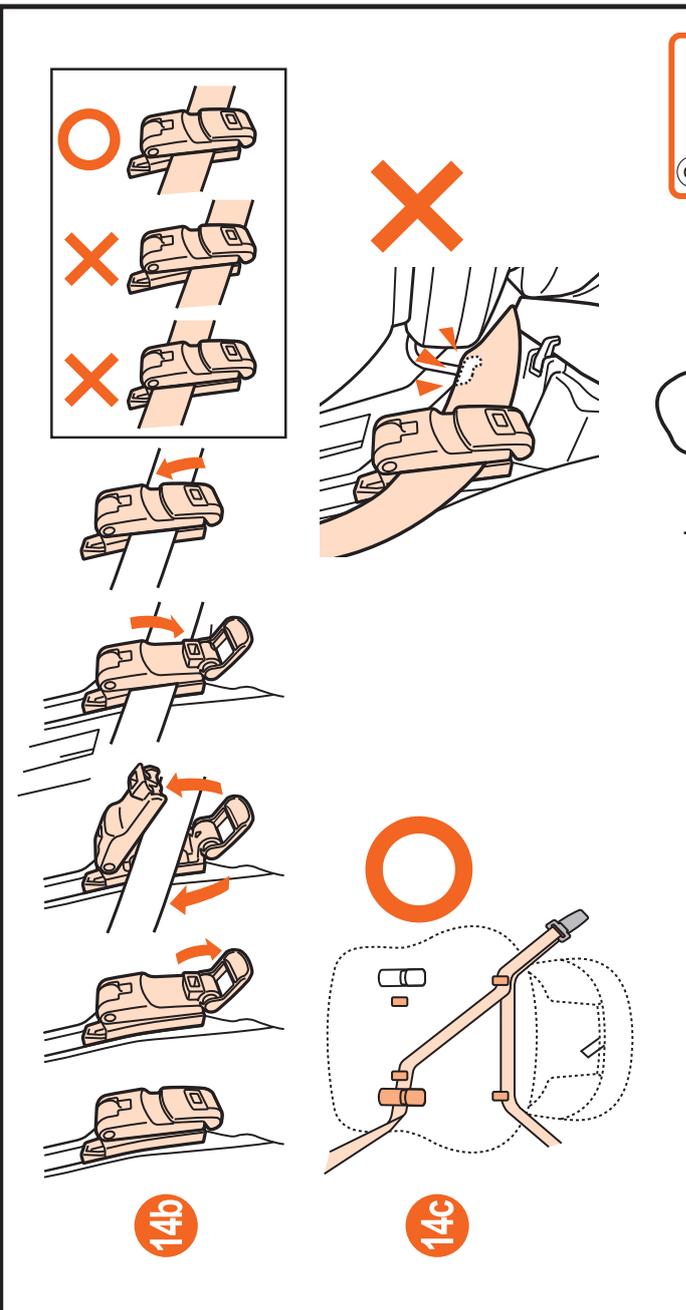
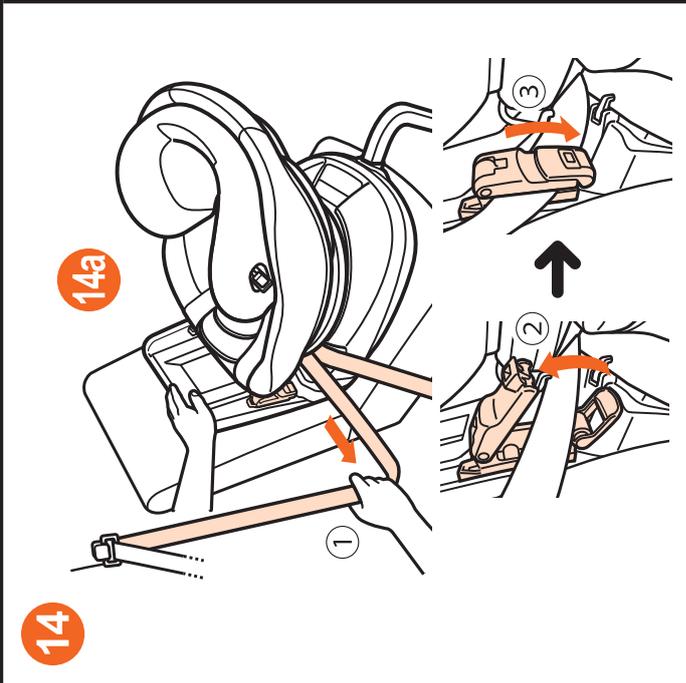
4e

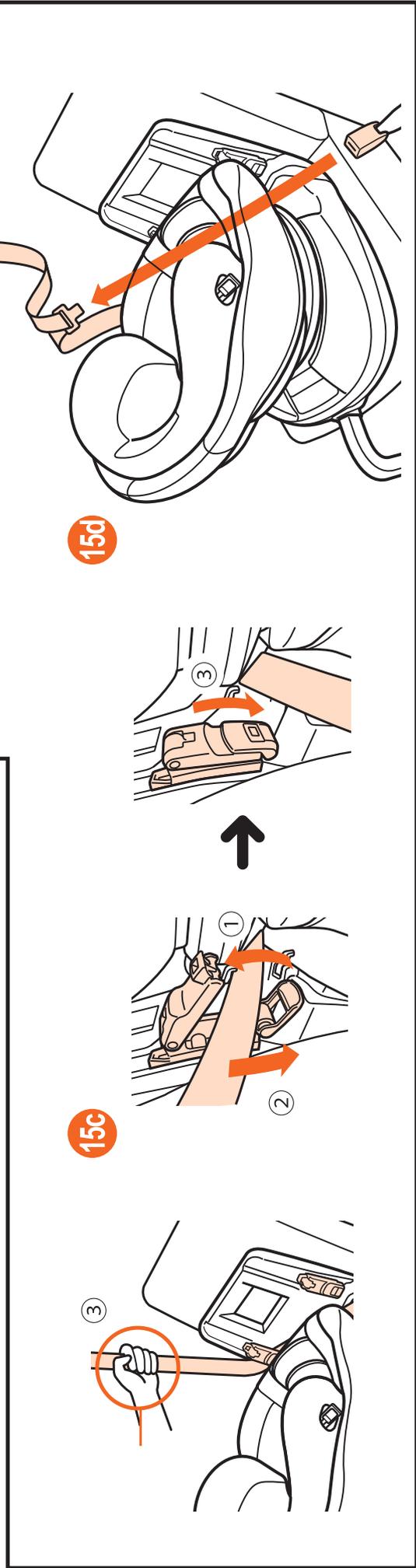
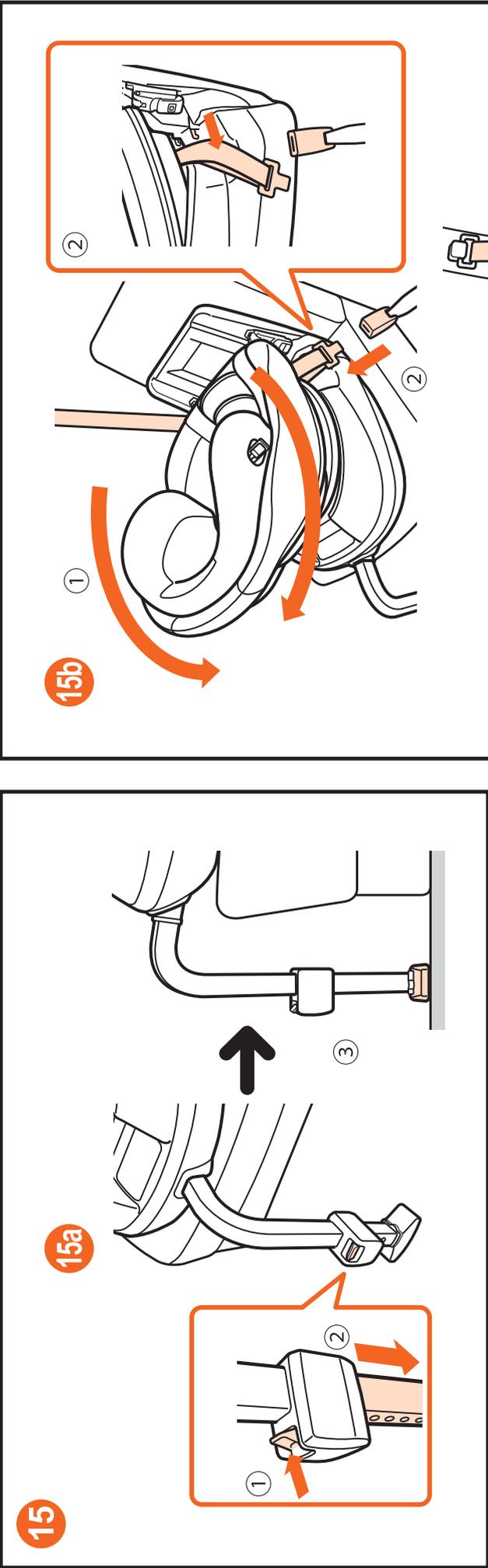
4f

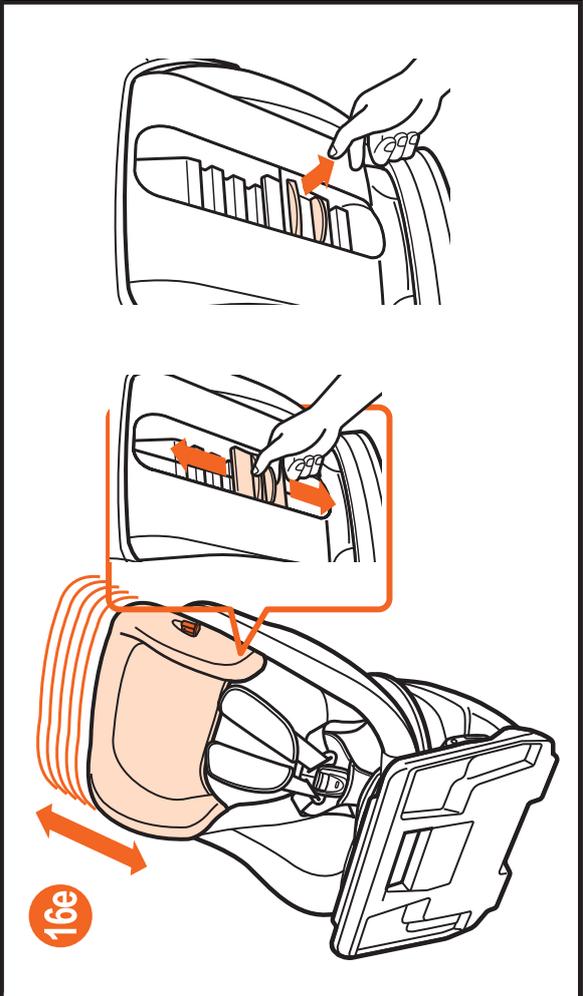
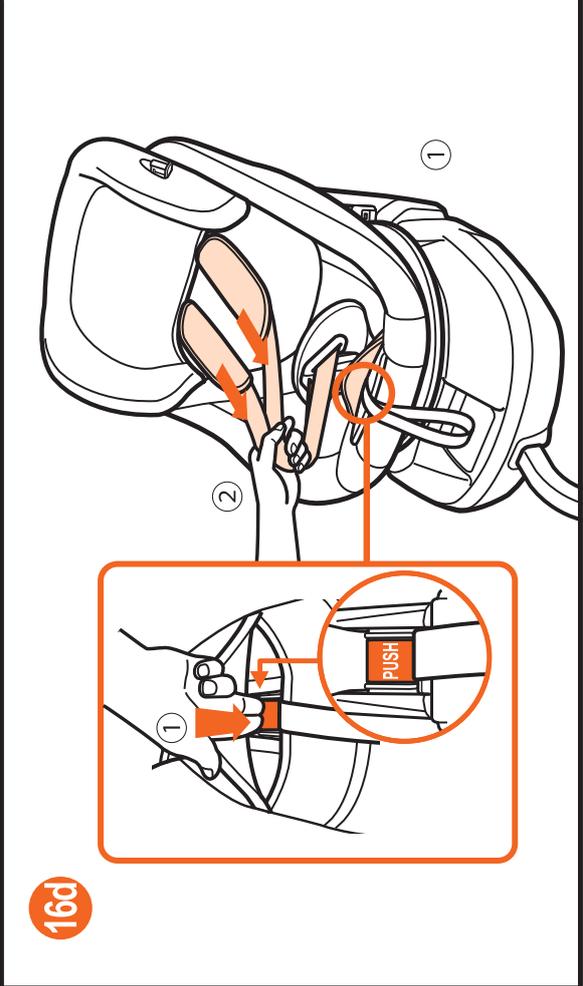
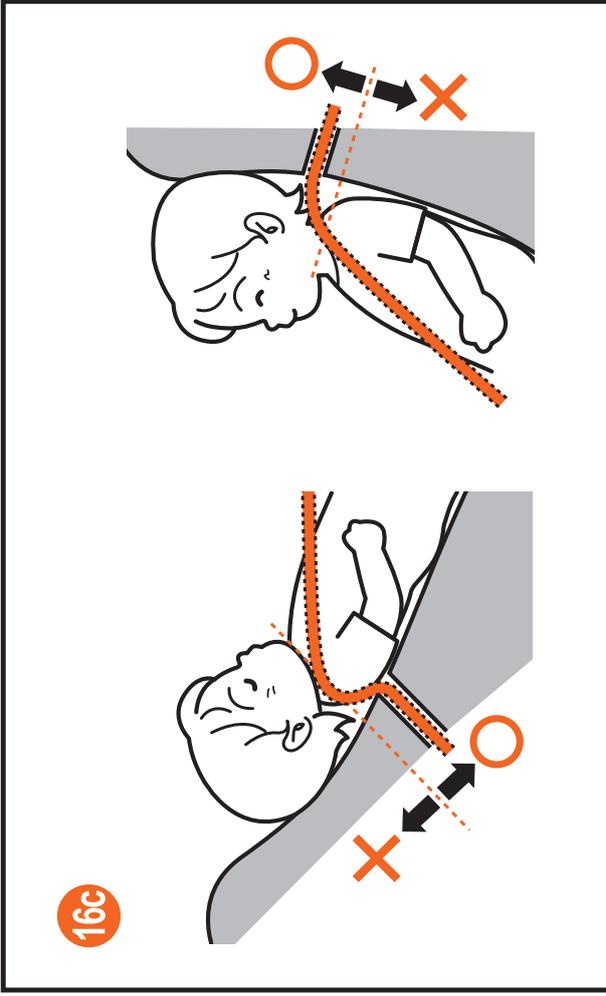
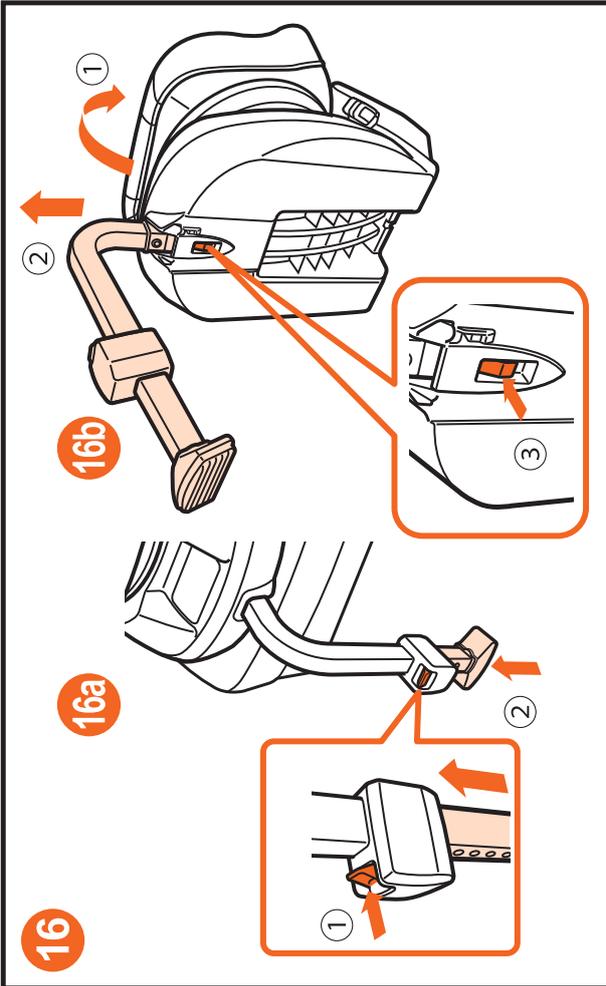


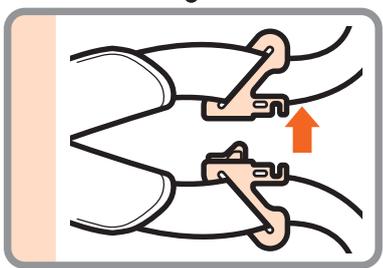
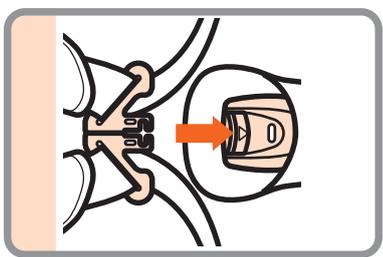
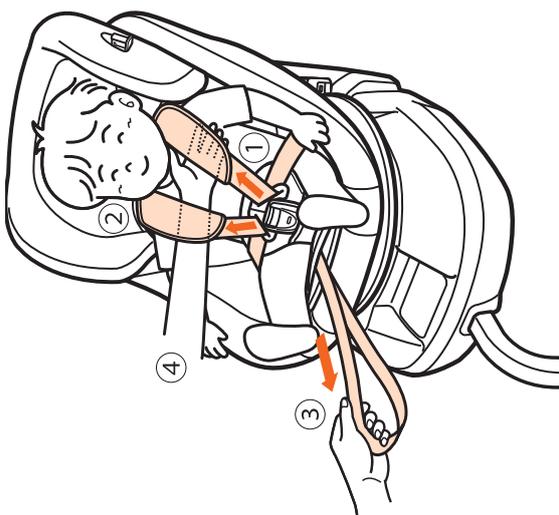




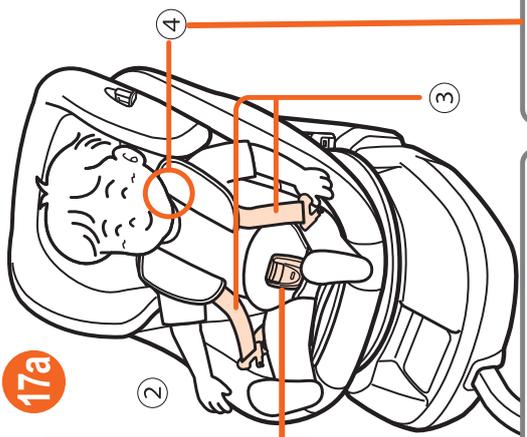




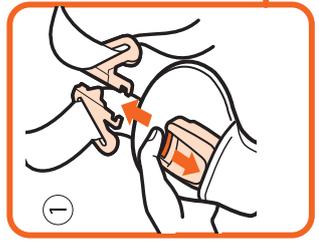




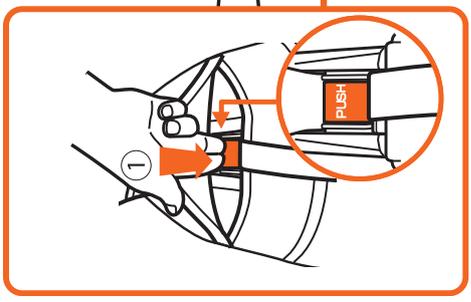
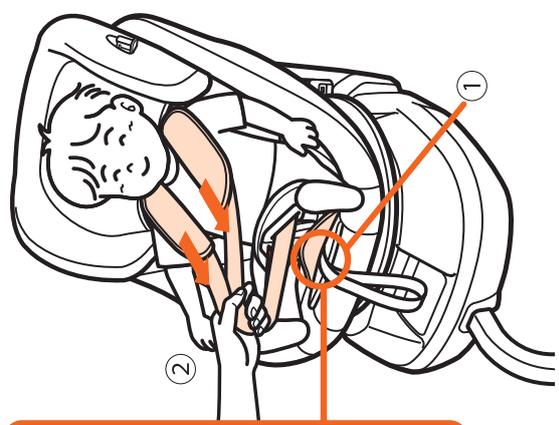
17b



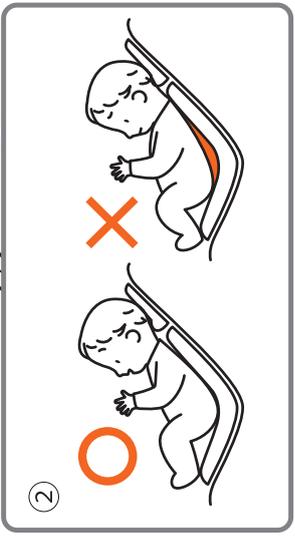
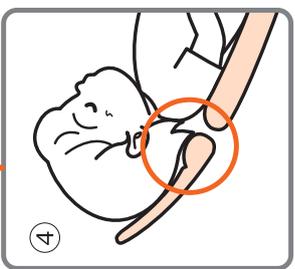
17a



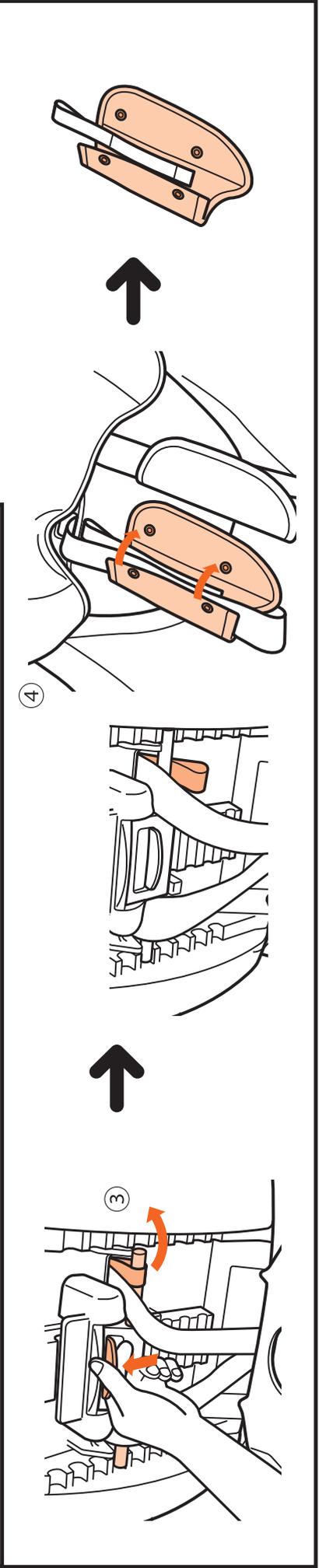
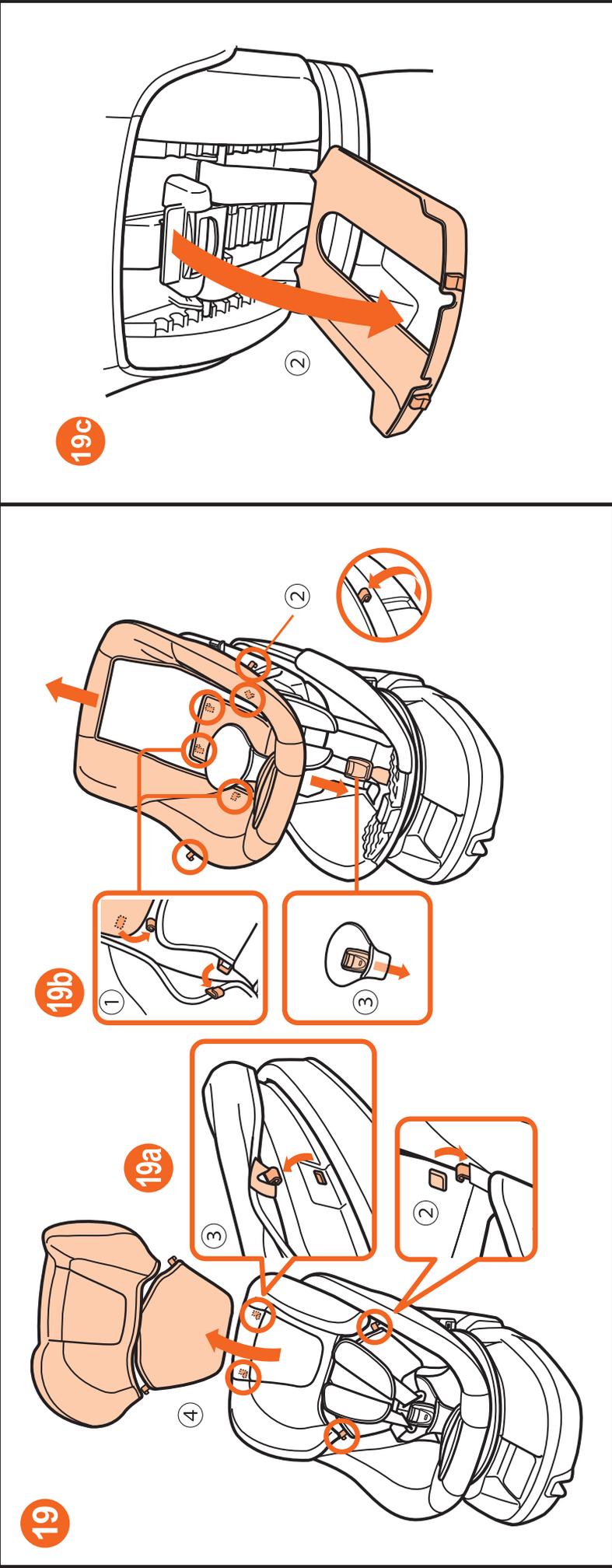
17



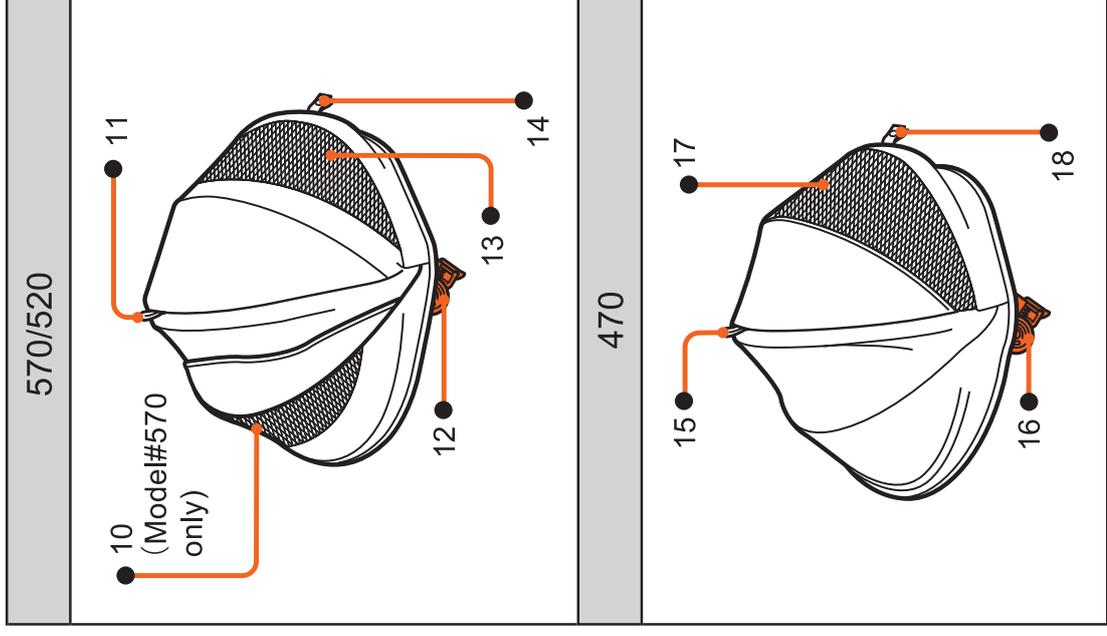
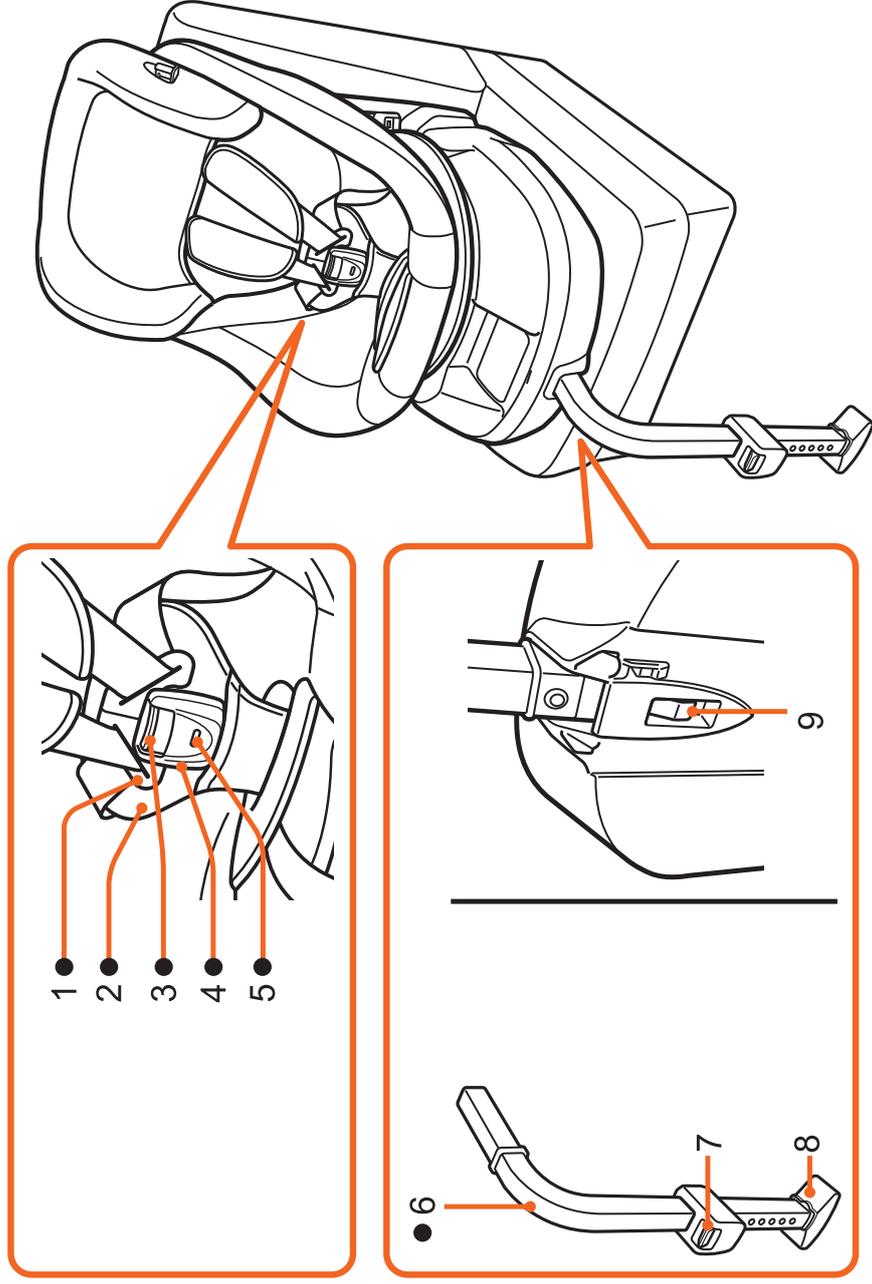
18a



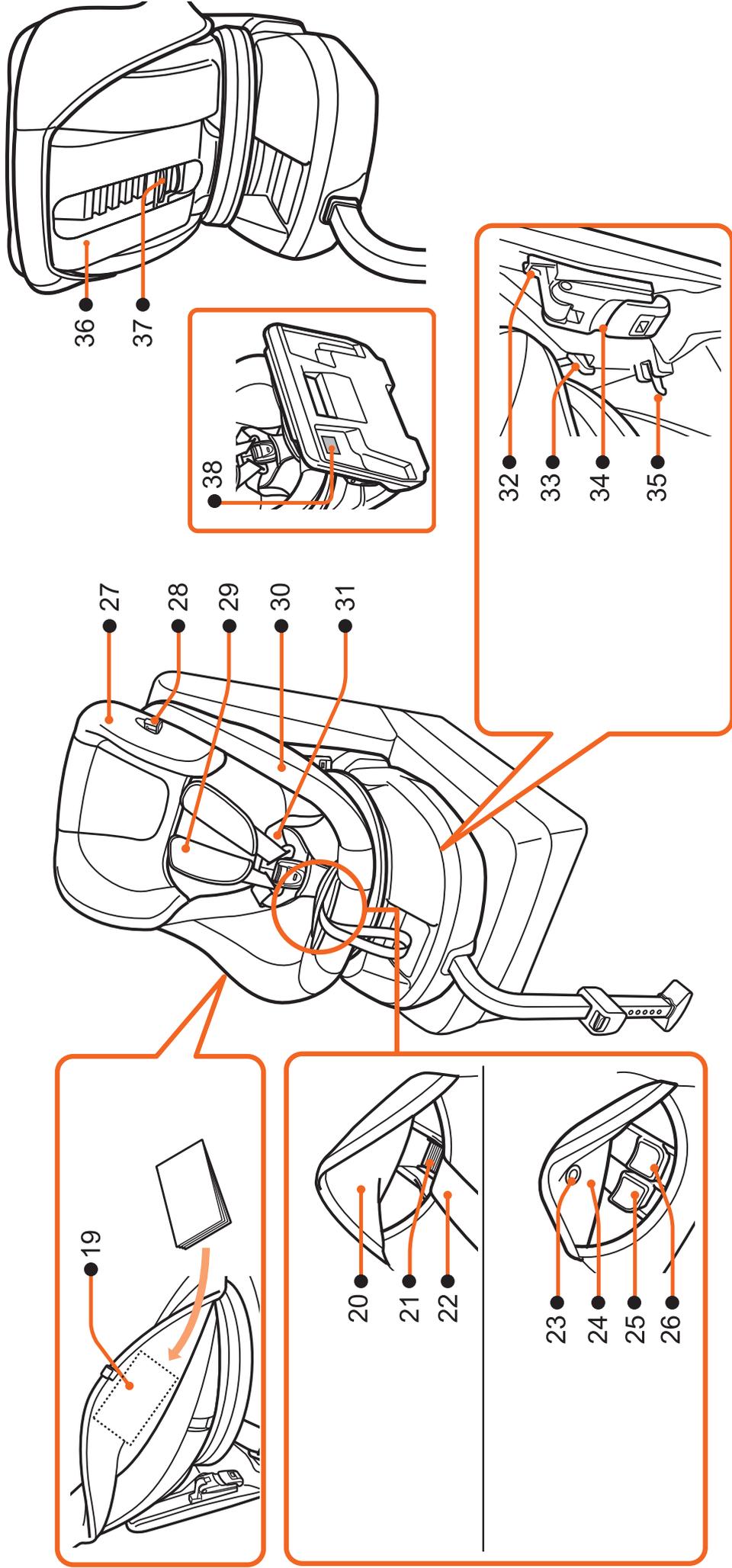
17c



List of components



List of components



List of components

- | | | | |
|-----------------------------------|---------------------------------------|---------------------------------|--------------------------------|
| 1. Insert tongue | 11. Snap belt | 21. Baby belt adjustment button | 31. Baby belt |
| 2. Crotch belt cover | 12. Canopy joint | 22. Adjustment belt | 32. Base cover attachment part |
| 3. Buckle button | 13. Air through window | 23. Adjustment belt snap | 33. Belt guide (upper) |
| 4. Buckle | 14. Snap belt | 24. Operation lever cover | 34. Locking device |
| 5. Color indicator | 15. Snap belt | 25. Reclining adjustment lever | 35. Belt guide (lower) |
| 6. Supporting leg | 16. Canopy joint | 26. Revolving release lever | 36. Baby belt storage cover |
| 7. Adjustment knob | 17. Air through window | 27. Headrest cover | 37. Headrest adjustment lever |
| 8. Supporting leg base | 18. Snap belt | 28. Canopy holder | 38. Lot No sticker |
| 9. Supporting leg detached button | 19. User manual storage pocket | 29. Shoulder belt cover | |
| 10. Top window (model#570 only) | 20. Baby belt adjustment button cover | 30. Seat cover | |

WARNING!

- Read these instructions carefully before use and keep them for future reference. Your child's safety is your responsibility. Never leave the child unattended: It may be dangerous. Pay utmost care when using the product.
- **THIS SEAT DOES NOT GUARANTEE PROTECTION FROM INJURY IN ALL SITUATIONS. HOWEVER, USING IT APPROPRIATELY CAN REDUCE INJURY AND PREVENT DEATH.**
- Read carefully and understand how to use the product before using it. Pay utmost care to the highlighted warnings.
- Keep the instruction manual always together with the seat unit; there is a suitable storage area underneath the seat cover where this manual can be stored.
- **IMPORTANT:** The Cradling 360 child car seat is a SEMI-UNIVERSAL Group 0+, 1 restraint device, approved according to regulation ECE R44/04 for car transportation of children from newborn to 18kg (Approximately from newborn to 4 years old).
- Cradling 360 can be fastened with the vehicle's safety belts, select the seats having 3-point safety belts with a retractor approved according to the regulation UN/ECE 16 or other equivalent standards. If in doubt, immediately contact the authorized distributor.
- Do not use the child car seat for children heavier than 18kg or where the child's shoulders go beyond the upper shoulder belt insert outlet.

IMPORTANT!

- Cradling 360 is an approved model which conforms to ECE R44/04.
- The child car seat adjustment operations must only be carried out by an adult.
- Diagram 1 shows the spec of the inner cushion depending on different models.
 - For **GROUP 0+** (infants less than 7kg); the seat must be fitted in the rearward facing position.
 - All recline positions can be used. The canopy can be fully opened in rearward facing position. (Diagram 2a)
 - Inner cushion (head part, shoulder part and seat part) must be used.
 - For **GROUP 0+** (infants who weight from 7-13kg); the seat must be fitted in the rearward facing position.
 - All recline positions can be used. The canopy can be fully opened in rearward facing position. (Diagram 2b)
 - Inner cushion (seat part and shoulder part) should not be used.
 - For **GROUP 1** (babies who weight from 9-18kg); the seat must be fitted in the forward facing position.
 - All recline positions can be used. In forward facing position, please fold the canopy, fasten the snap on the canopy top and use it as a sunshade, or remove the entire canopy from headrest. (Diagram 2c)
 - Inner cushion (head part, shoulder part and seat part) should not be used.

IMPORTANT WARNING!

- No child car seat can guarantee the total safety of your child in the event, but the use of this product reduces the risk of serious injuries or death.
- Make sure to install the child car seat onto vehicle seats with 3-point safety belts.
Do not install it onto seats with 2-point safety belts or it may not function as designed. (Diagram 3a)
- An accident, even a minor incident, may cause damages to the child car seat, which may be subjected to invisible damages, it is therefore necessary to replace the child car seat. (Diagram 3b)
- **INAPPLICABLE VEHICLE SEAT**
 1. Bucket seat with a hollow seat surface. (Diagram 3c)
 2. Vehicle seat equipped with airbag. The exploded air bag will expose the child to major impact which is extremely dangerous. Seat equipped with only side air bag is applicable. (Diagram 3d)
- 3. Vehicle seat with sitting depth of less than 40cm. (Diagram 3e)
- 4. Vehicle seat with extremely short seat belt. (Diagram 4a)
- 5. The installation length of seat belt less than 32cm(※). (Diagram 4b) ※ The length between the extension point and the buckle of the seat belt.
- 6. Vehicle seat with seat belt extending from the center. (Diagram 4c)
- 7. Vehicle seat with an extra-large headrest. (Diagram 4d)
- 8. Vehicle seat with sliding track and storage space underneath. (Diagram 4e)
- 9. Seat with a mounted middle portion which cannot secure the child car seat.
- 10. Vehicle seat facing rear or sideways against the driving direction. (Diagram 4f)
- 11. Vehicle seats equipped with a passive seat belt.

IMPORTANT WARNING!

Passive seat belt refers to seat belt that automatically buckles itself upon sitting.

- Please install correctly according to instruction manual or indication stickers on the product to guarantee and give your baby a safe and comfortable driving journey.
- Never use the child car seat which cannot be secured as stated in this instruction manual. Please install the child car seat to the other vehicle seats.
- Read these instructions carefully before use and keep them for future reference.
- Your child's safety is your responsibility.
- Never leave the child unattended: It may be dangerous.
- This product is intended to be used as a child car seat and is not intended to be used indoors.
- Always use the child car seat, fitted correctly and with the safety harness fastened, including short journeys.
- In particular, check that the safety harness is tensioned

correctly, is not twisted and that it is fastened in the correct position.

- Avoid inserting fingers inside mechanisms.
- Always secure the child with the baby belts provided.
- If the baby belts are very loose, the child can be strangled. Never leave the child in the seat if the baby belts are loose or unfastened.
- This product must not be modified in any ways. Do not install accessories, spare parts or components not supplied or approved by the manufacturer.
- Do not use the child car seat when it is damaged, not equipped with the instruction manual, or any component is missing.
- Check that there are no loose objects or baggage on the back shelf of the vehicle: in the event of an accident or sudden braking, they may injure the passengers.
- Do not carry more than one child at a time in the child

IMPORTANT WARNING!

- car seat.
- Ensure that all the car passengers fasten their seat belt, for their own safety and because, during the journey, they may injure the child in the event of an accident or sudden braking of the car.
- Ensure that during the adjustment operations (of the headrest and safety belts) the movable parts of the child car seat do not come into contact with your child.
- When travelling, stop the vehicle in a safe place before carrying out any adjustment operations on the child car seat or for the child.
- Check periodically that your child does not unfasten the buckle of the safety harness, or that it does not tamper with the child car seat or any of its parts.
- Prolonged exposure of the child car seat to direct sunlight may cause the materials or fabric to fade.
- If the vehicle has been left in the sun, check that the different parts of the child car seat are not too hot.
- In such an event, let the child car seat cool down first before sitting the child to avoid burns.
- When the child car seat is not used inside the vehicle, it should be left secured to the car's seat.
- An unsecured child car seat may be a source of danger for the passengers in the event of an accident or sudden braking.
- Never use this child car seat fitted into car seats facing sideways or facing rearwards.
- Please use the canopy correctly according to the user guide; otherwise, it may be dangerous.
- Please install the child car seat on the rear seat since it may obstruct the driver's view to the side mirror.
- Do not install on a front seat in a 2-door or 3-door vehicle in case it may obstruct passengers from getting out the vehicle in emergency.

IMPORTANT WARNING!

- Make sure the child car seat is not jammed in between the vehicle doors or other movable parts.
- Use the inner cushion correctly; otherwise, baby may be injured.
- Do not place the unattached inner cushion inside the vehicle, in case it may move around while braking or affect driving.
- Do not hold at the inner cushion when moving the child car seat.
- Pay particular attention when fastening or adjusting the harness in case you have a long finger nails or have applied artificial nails. Nails may accidentally get jammed inside the gaps.
- Depending on the shape and material (like leather etc.) of the vehicle seat, the child car seat may cause wrinkle or scratch onto the vehicle seat.
- In case the buckle is jammed with dirt or food residue

becoming hard to buckle up, or is becoming too stiff to release for any reasons, please contact our customer service hotline or local distributor for maintenance.

INSTRUCTIONS

DIAGRAM 5.1 - Attaching and removing the inner cushion (head part):

1. Lift the headrest.
2. To attach or remove inner cushion (for head), simply fasten or release the snap on the inner cushion (for head) from the snap on the back side of headrest cover.

DIAGRAM 5.2 - Attaching and removing the inner cushion (shoulder part):

Route the attachment belt on the back side of the inner cushion (for shoulders) through the belt opening on the back side of the inner cushion (for head). Secure the velcro. Reverse the steps to remove it.

DIAGRAM 5.3 - Attaching and removing the inner cushion (seat part):

1. Press onto the buckle button and remove the insert tongue from the buckle.
2. Pull the crotch belt through the crotch belt pad opening out of the seat. Reverse the steps to remove it.

WARNING: Disregarding the weight of child, do NOT apply the inner cushion in forward facing position.

DIAGRAM 6 - Attaching the base cover:

Cover the base with the base cover and secure the top 2 hooks and lower 2 hooks onto the base as illustrated.

WARNING: Base cover must be applied in rearward facing mode.

CAUTION: Pay attention particularly when the base cover is not attached. The exposed base may scratch on child's feet and become cause of injury.

DIAGRAM 7 - Using the egg shock and Egg shock super pad:

Egg shock super and egg shock pad can be removed from inner cushion and attach to the seat cushion.

1. Remove all the egg shock pads from the inner cushion (Head part).
2. Remove the hooks on the outer side of the seat cushion and flip the seat cushion to the front as shown.
3. Place all the egg shock pads into the pockets on the seat cushion. (Headrest cover)

DIAGRAM 8a - Using the canopy:

Please use the canopy according to the using method of the child car seat.

WARNING: Do not carry the child car seat with the canopy. Full coverage size can be used. (Rearward facing)

DIAGRAM 8b - In forward facing position, full coverage size cannot be used. Can only be used as a sunshade.

DIAGRAM 9 - Attaching the canopy:

1. Fold the canopy to the minimum size.
2. Match the canopy joint to the canopy holder.
3. Plug the canopy joint into the canopy holder. Secure the snaps on the back side of the canopy to the head rest cover.

INSTRUCTIONS

DIAGRAM 10a - Seating and unseating the child (changing the canopy to smaller coverage)

Please minimize the canopy coverage when seating and unseating the child. Fold the center part of the canopy backwards as illustrated.

DIAGRAM 10b - Using the canopy as a sunshade (In forward facing position)

In forward facing position, please fold the canopy, fasten the snap on the canopy top and use it as a sunshade.

1. Fold the canopy backward.
2. Route the snap belt at the canopy back through the belt opening on the canopy top and fasten the snap to secure the canopy.

DIAGRAM 10c - Detaching the canopy

1. Fold the canopy backward.
2. Undo the snaps on the back of the canopy.
3. Remove the canopy as illustrated.

DIAGRAM 11 - Use of the reclining function

1. Lift the reclining lever.
2. Adjust the reclining angle of the child car seat (3 pitches).
3. Move the main body back and forth to check if the child car seat is locked firmly at the selected pitch.

WARNING: The child car seat may interfere with the headrest of vehicle seat and affect the proper operation or seat reclining.

- As long as the seat adjustment is not affected, even if the child car seat interferes with the headrest of vehicle seat, installation is still considered possible on that vehicle seat.
- When travelling, stop the vehicle in a safe place before carrying out any adjustment operations on the child car seat or for the child.
- Pay attention to the hole at the base back when rotating the seat in rearward facing position in case child's foot may get jammed.
- Do not pull the revolving lever and reclining lever at the same time as it may cause damage to the seat.
- After operating revolving lever or reclining lever, please check if the revolving/reclining lever is returning to its normal position and the seat clicks into place and is secured. Do not use a seat that is not secured.

DIAGRAM 12- Rotating the child car seat

The seat rotating function is available in all seat recline angle, for easier seating and unseating of baby.

DANGER: Do not drive when the child car seat faces sideward. Facing sideward is dangerous while the car is in motion.

1. Press the revolving lever which is stored under the operation lever cover.
 2. Release the lever after starting revolving. The child car seat shall be locked and a "click" sound is heard after revolving the child car seat.
 3. Try to move the child car seat to make sure if it is firmly secured.
- * Owing to the rotation mechanism, the seat rotating part may feel a little shaky even when it is secured.

This is normal and does not affect proper use of product.

INSTRUCTIONS

DIAGRAM 13a - Installing to the car (To install supporting leg)

1. Place the child car seat on the vehicle seat.
2. Attach the supporting leg until it clicks into place.
3. Try to pull the supporting leg to check if it is secured.

DIAGRAM 13b - Installing to the car

1. If the vehicle seat headrest is detachable, please detach it.
2. Adjust the angle of the backrest of the vehicle seat so that it fits the main body of the child car seat.
3. Please adjust the child car seat to the most upright position to allow more space for passing through the vehicle seat belt.

DIAGRAM 13c - Installing to the car (To fasten the child car seat by vehicle seat belt)

1. Pull out the vehicle seat belt; make sure it is not twisted.
2. Route the vehicle seat belt through the belt guide as illustrated.
3. Fasten the buckle.
4. The vehicle seat belt (waist belt) should be threading through and secured at the left and right belt guides (lower).
5. The vehicle seat belt (shoulder belt) should be threading through and secured at the belt guide (lower).
6. The vehicle seat belt (shoulder belt) should be threading through and secured at the belt guide (upper).

DIAGRAM 14a

1. Hold the base tight and pull the shoulder belt toward the indicated direction (parallel to the ground level) to tighten the waist belt.
2. Release the locking device at the end close to the car door while holding tight the shoulder belt.

3. Route the shoulder belt through and engage the locking device.

DIAGRAM 14b - Opening and closing the locking device

DIAGRAM 14c - While pulling the shoulder belt, please pay attention not to let the shoulder belt slip from the belt guide (upper).

DIAGRAM 14d - To tighten up the shoulder belt

1. Hold the base tight and
2. Pull the shoulder belt toward the indicated direction (parallel to the ground level) to tighten the waist belt.

WARNING: In case the vehicle seat belt buckle touches at the main body, it may become difficult to tighten the seat belt correctly and the car seat will become unstable. **Do not use the car seat in such circumstance.**

- * The only exception is when the seat belt can be tightened correctly and the car seat is secured.
- In some vehicles which may come with special type of seat belt, the shoulder belt may not be pulled from the side of product and it may not be possible to tighten the seat belt accordingly.
- In such case, please follow the below steps to tighten the seat belt.

DIAGRAM 14e - Installing to the car tightly

1. Rotate the child car seat to forward facing mode.
2. Kneel on the centre of the child car seat and add on body weight to secure the child car seat onto the vehicle seat.

INSTRUCTIONS

3. Tighten up the shoulder belt above the buckle.
4. Pull to the sideway of the shoulder belt beyond the locking device.

DIAGRAM 15a - To adjust the supporting leg

1. Push the adjustment knob on the supporting leg.
2. Extend the leg base until it reaches the vehicle seat floor.
3. Release the adjustment knob it will click into place.
4. Try to pull the supporting leg and make sure it is secured.

DIAGRAM 15b - Removing the child car seat from car

1. Rotate the child car seat to rearward facing mode.
2. Remove the insert tongue from the buckle and then release the vehicle seat belt from the belt guides.
3. Hold the vehicle seat belt from the locking device.

DIAGRAM 15c - Removing the child car seat from car

1. Open the locking device
2. Remove the shoulder belt.
3. Close the locking device.

DIAGRAM 15d

Remove the vehicle seat belt.

DIAGRAM 16a - Detaching the supporting leg

Rotate the child car seat to the forward facing mode.

1. Push the length adjustment knob.
2. Shorten the supporting leg.
3. Release the length adjustment button.

DIAGRAM 16b

1. Tip the main body slowly to the back.
2. Pull the supporting leg out of the main body.
3. Pressing on the release button underneath the main body at the same time.

DIAGRAM 16c - Adjusting the height of the shoulder belt

1. In rearward facing, use the pair of insert outlets just below (around 3cm) the baby's shoulder position.
2. In forward facing, use the pair of insert outlets just above (around 3cm) the baby's shoulder position.

WARNING: Select the right position for shoulder belt in accordance with the installation direction.

Do not seat the child into an unsecured child car seat in case it may tip. Pay particular attention when checking or practicing installation indoors.

DIAGRAM 16d - Adjustment of baby belt

Rotate the child car seat to the sideway.

1. Flip open the cover covering the baby belt adjustment knob. Press on the "PUSH" button and
2. Hold and pull the left and right baby belt toward yourself to loosen the baby belt.

* Do not hold at the shoulder belt cover. Baby belt won't be adjusted when holding at the shoulder belt cover.

INSTRUCTIONS

DIAGRAM 16e - Adjustment of headrest

1. Rotate the child car seat to rearward facing direction.
2. Lift the headrest adjustment lever and adjust it to the right height.
3. Release the headrest adjustment lever at the right position.
4. Make sure the adjustment lever clicks into place after adjustment.
5. Slightly move the headrest up and down to confirm it is secured.

DIAGRAM 17a - Seating the child

For easy seating and unseating, you may rotate the child car seat to sideway. Loosen the baby belt.

1. Press on the "PUSH" button of the buckle, release the insert tongue.
2. Seat the child deeply into the child car seat, put the child's arms through the baby belt. When using the inner cushions, adjust and make sure the child is seated deep inside the child car seat. (Diagram 17c)
3. Make sure the left and right baby belt is not twisted.
4. Make sure the protruded part should be set under baby's neck.

DIAGRAM 17b

Match the left and right insert tongue and fasten them to the buckle until they click into place. Make sure the colored lock indicator turns green.

1. Always pull down the waist belt to hold the pelvis position.
2. The shoulder belt should be located in the center of the child's shoulder.
3. Pull the upper part of the adjustment belt to adjust.
4. Please make sure there's a palm's space between the body and seat belt.
5. Please use the correct facing according to children's weight.

DIAGRAM 18a - Unseating the child

1. Press on the "PUSH" mark of the baby belt adjustment button.

2. Pull both left and right baby belt to the front.

DIAGRAM 19a - Detaching the headrest cover

1. Lift the headrest to the highest position. (Refer to DIAGRAM 16e for adjustment of headrest)
2. Release the hooks (2pcs) at the left and right side of headrest cover.
3. Release the hooks (2pcs) at the top of the headrest cover and remove the headrest belt from hooks.
4. Remove the headrest cover from headrest.

DIAGRAM 19b - Detaching the seat cushion

1. Release the hooks (4pcs) at the inner side of seat surface.
2. Release the hooks (2pcs) at the outer side of seat cover.
3. Release the buckle from the crotch belt cover, and then remove the seat cover from the seat.

DIAGRAM 19c - Detaching shoulder belt cover

1. Rotate the child car seat to rearward facing mode.
2. Open the baby belt cover.
3. Pull the headrest adjustment lever and remove the attachment loop of the shoulder belt cover from the shaft.
4. Undo the snaps on the shoulder belt cover and remove it.

Follow the reverse steps to attach the headrest cover, seat cushion and shoulder belt cover.

Cleaning and Maintenance

Washing method : fabric parts

	Only use hand wash in water below 30°C.
	Do not bleach.
	Do not iron.
	Do not use dry clean.
	Light squeezing.
	Flat dry at cool place.

- Remove urethane foam before washing the inner cushion (seat).
- Do not use the detergent with fluorescent brightener.
- Do not use washing machine, dehydrator and drying machine.

Maintenance of the canopy

- Do not soak into the water. Use water below 30°C and use sponge or brush wipe off the dirt.
- Be careful not to be hurt by the plastic parts and snaps on the canopy.
- After wipe off the dirt by detergent, use a cloth or sponge to wipe off the excess water and detergent.
- Dry in shade area after wipe off water by dry cloth during the drying process.
- ※ Due to the characteristic of the product, the color may fade after numbers of washing.

For Urethane

- The dyestuff of seat cushion may transfer onto the urethane. However, it is no problem to use.

About Egg shock pad

- Egg shock supper pad is washable. Egg shock pad cannot be washed.
- Please feel ease to use of the Egg shock super pad and there is no quality problem even sticky feel may occur from it. You can use the neutral detergent to wash it.