

Combi

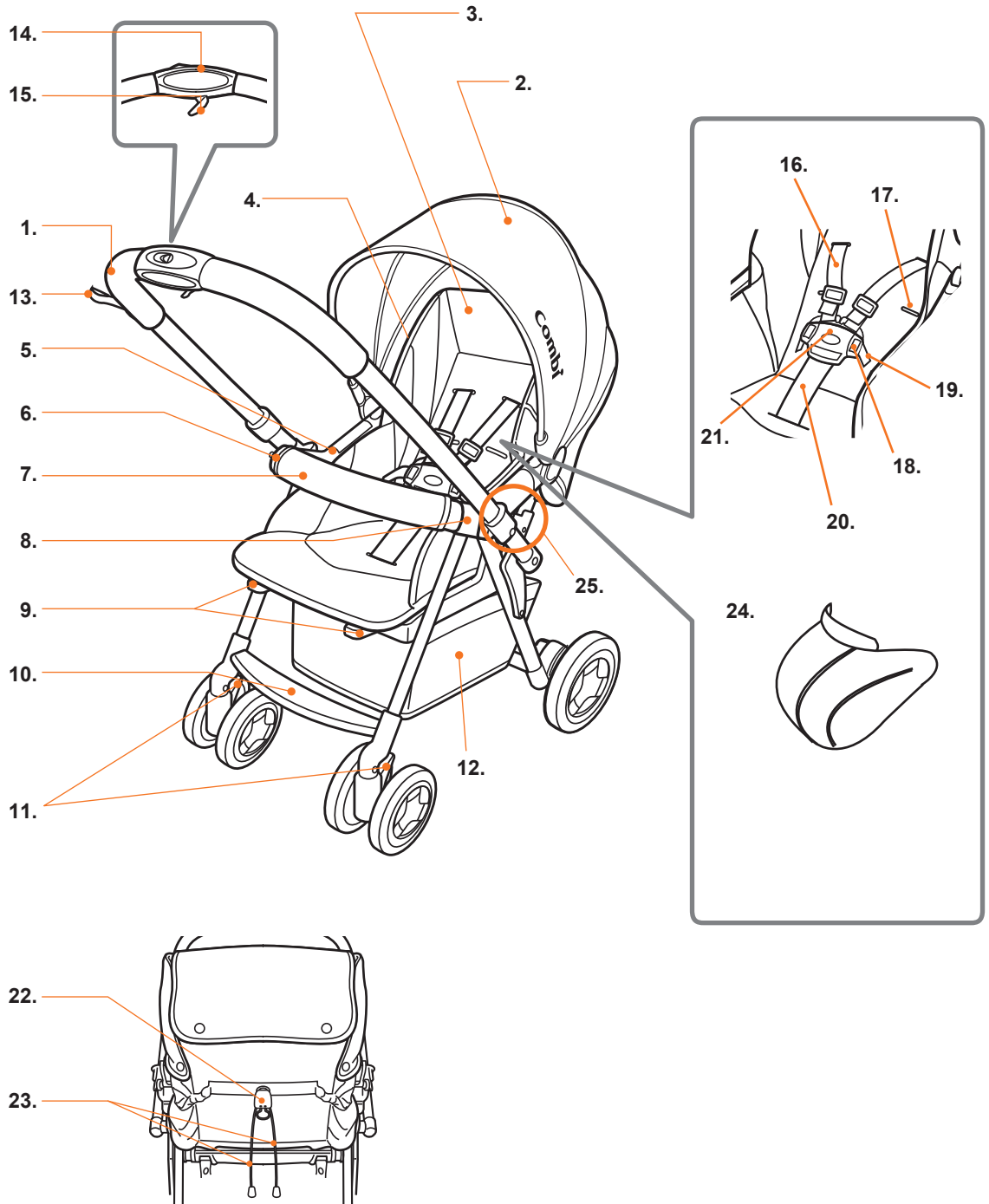
Urban Walker Classic

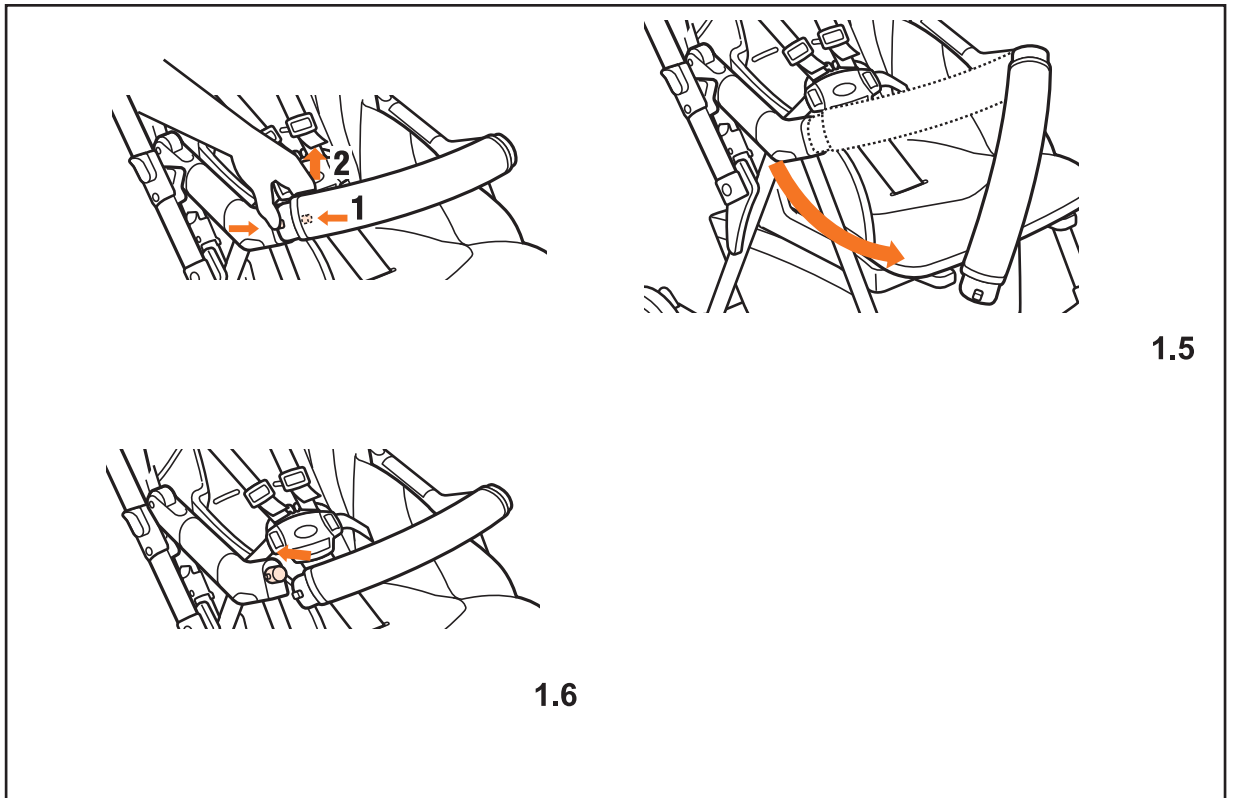
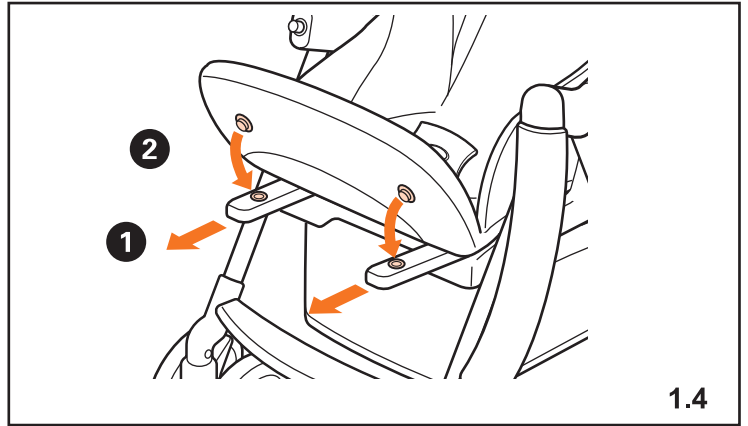
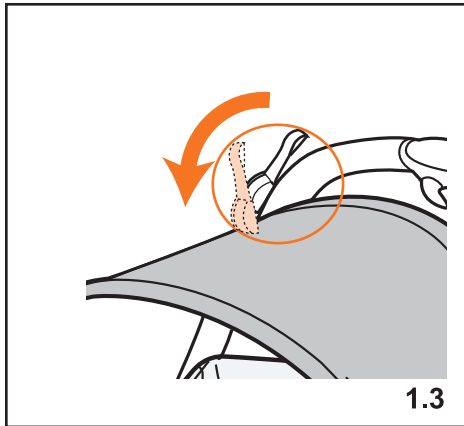
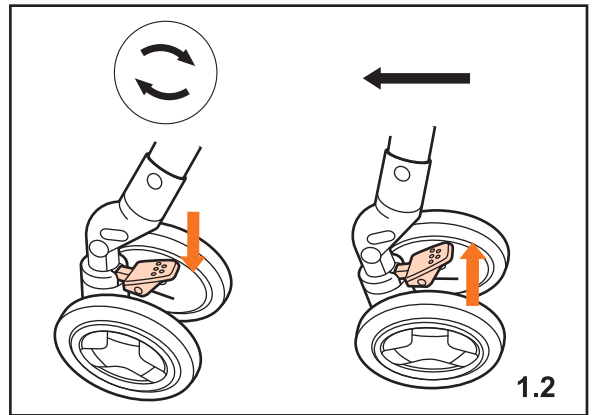
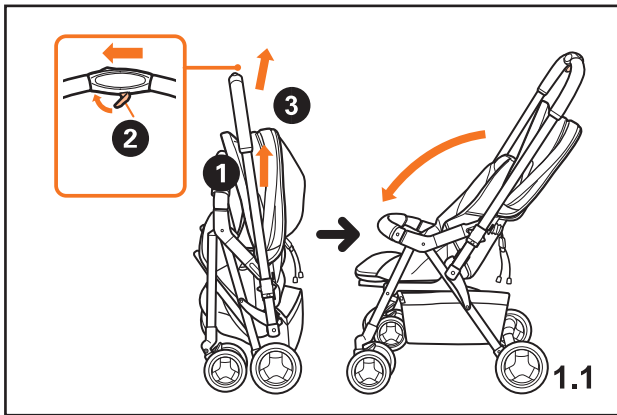


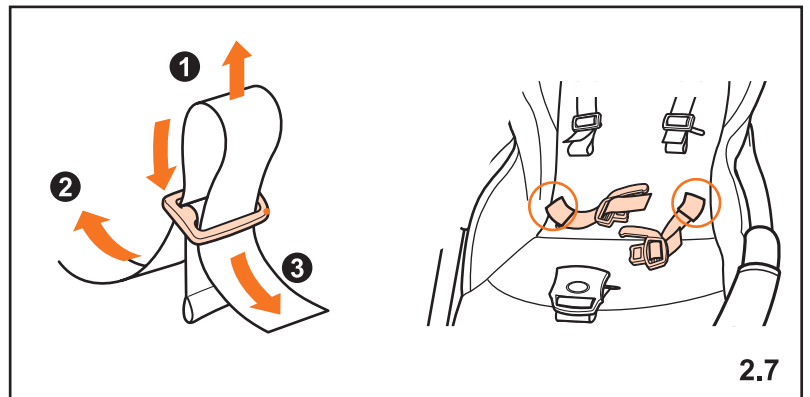
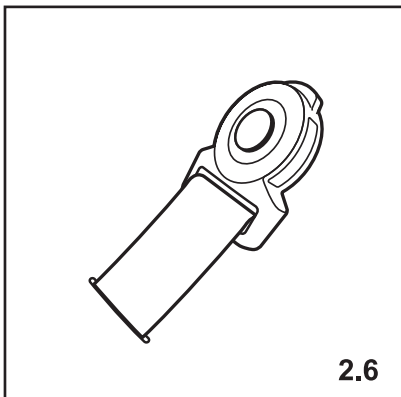
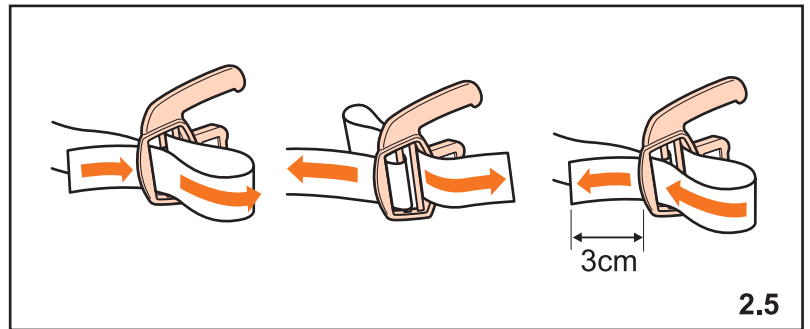
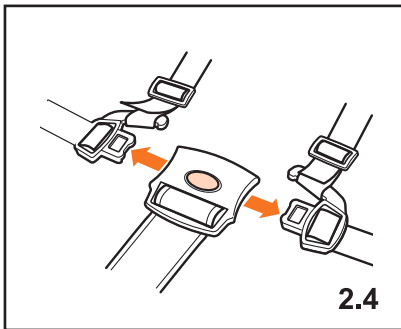
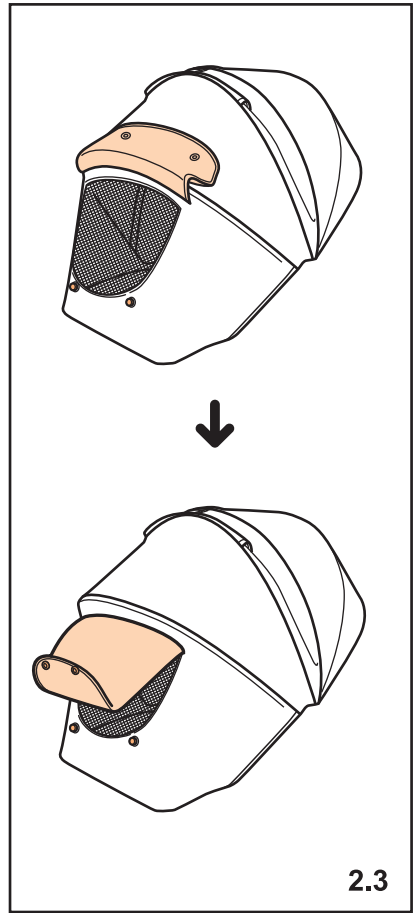
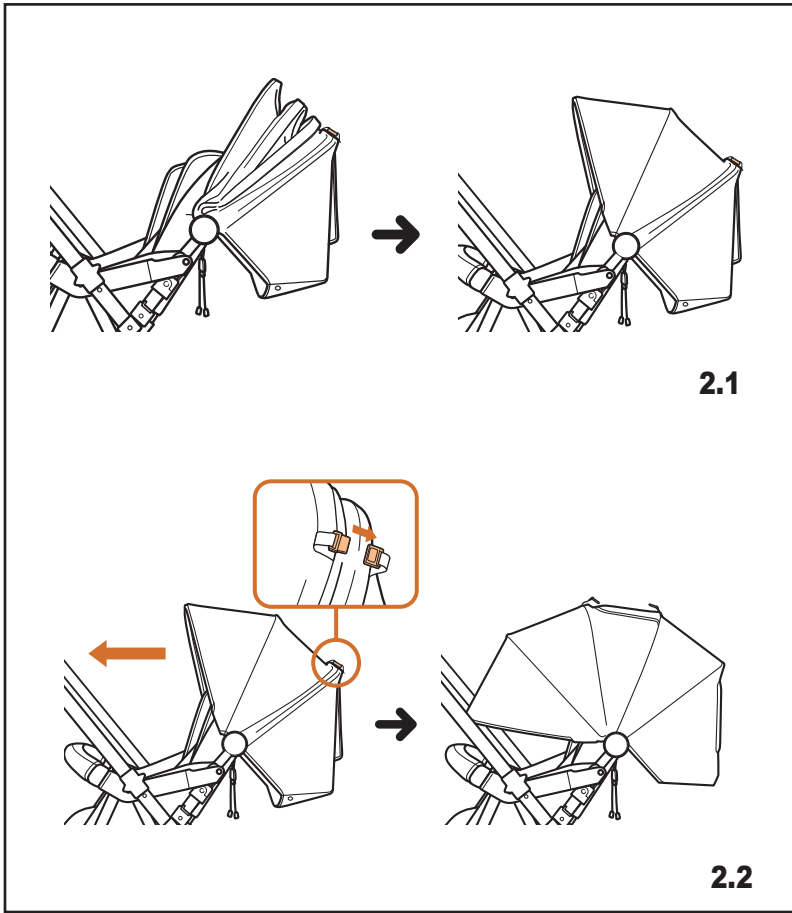
EN Instruction manual

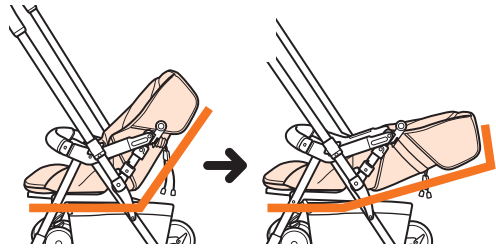
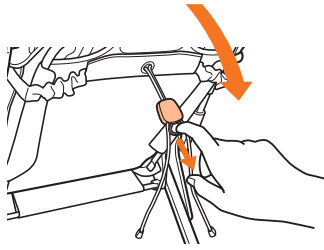
繁體中 說明書

List of components

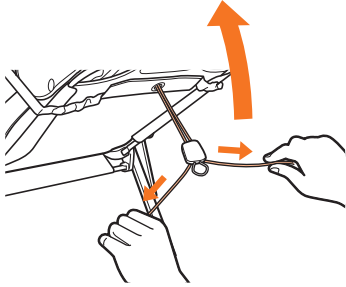




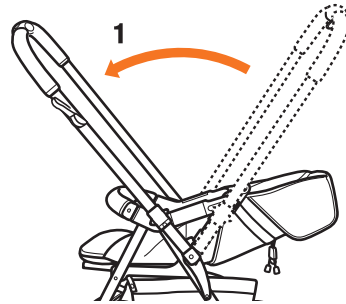




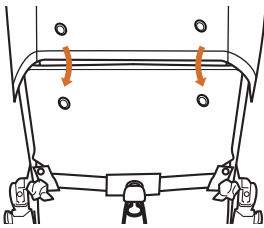
3.1



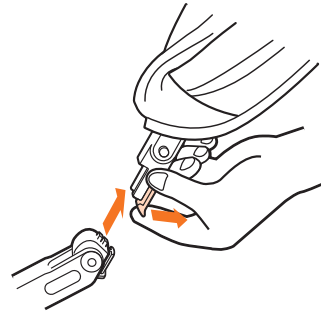
3.2



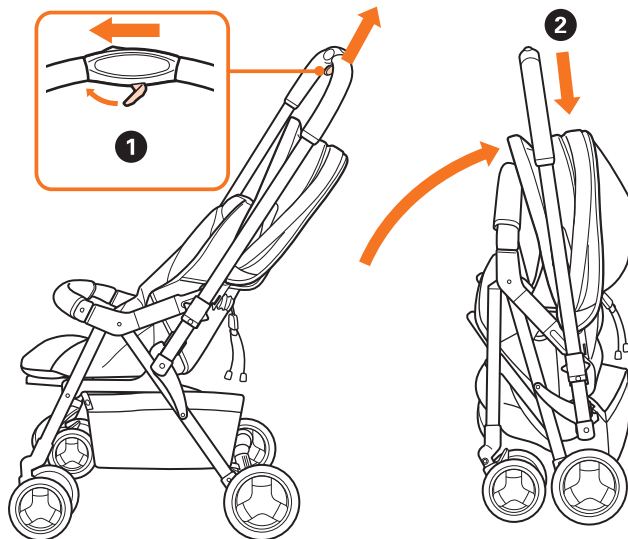
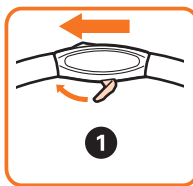
3.3



3.4



3.5

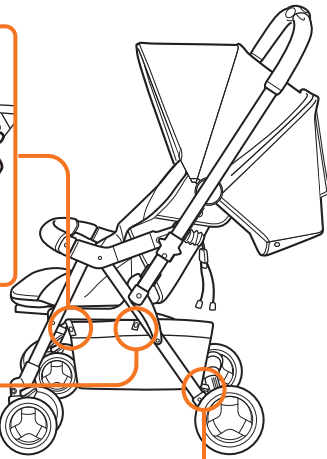
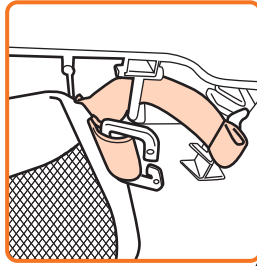


3.6

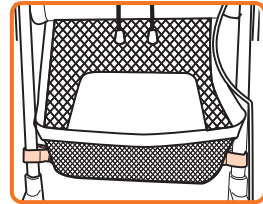
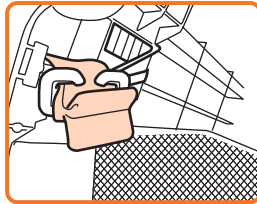
Max : 5kg



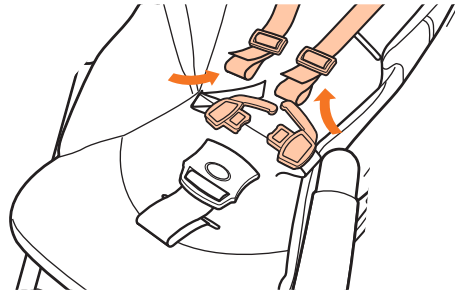
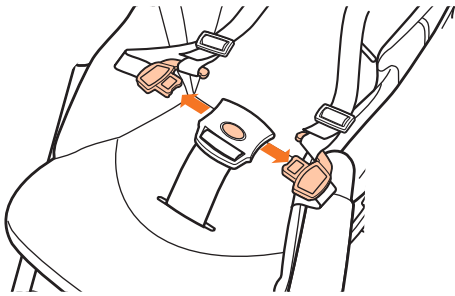
1.



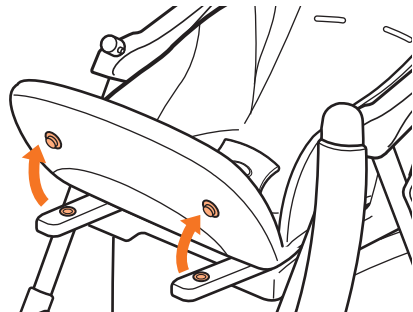
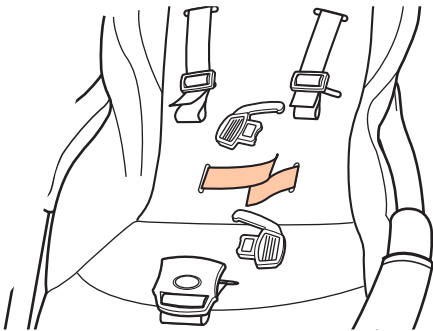
2.



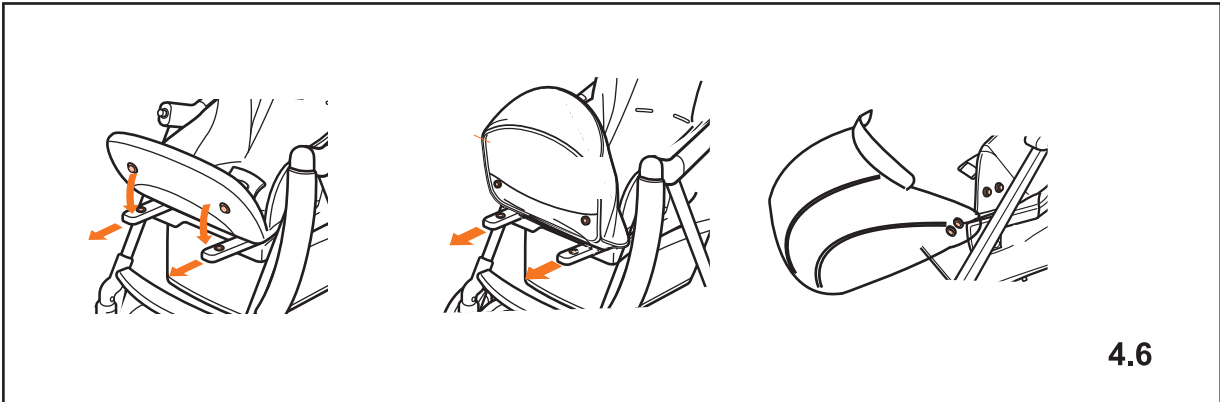
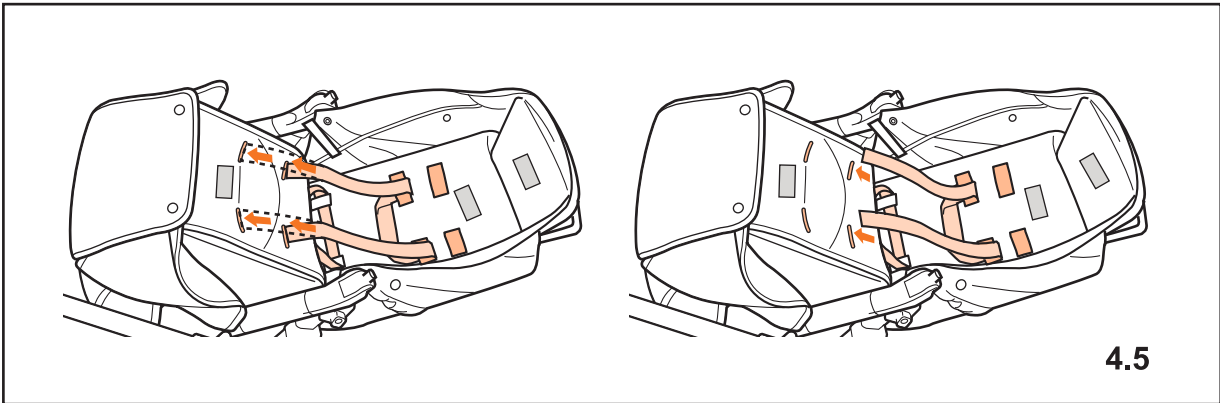
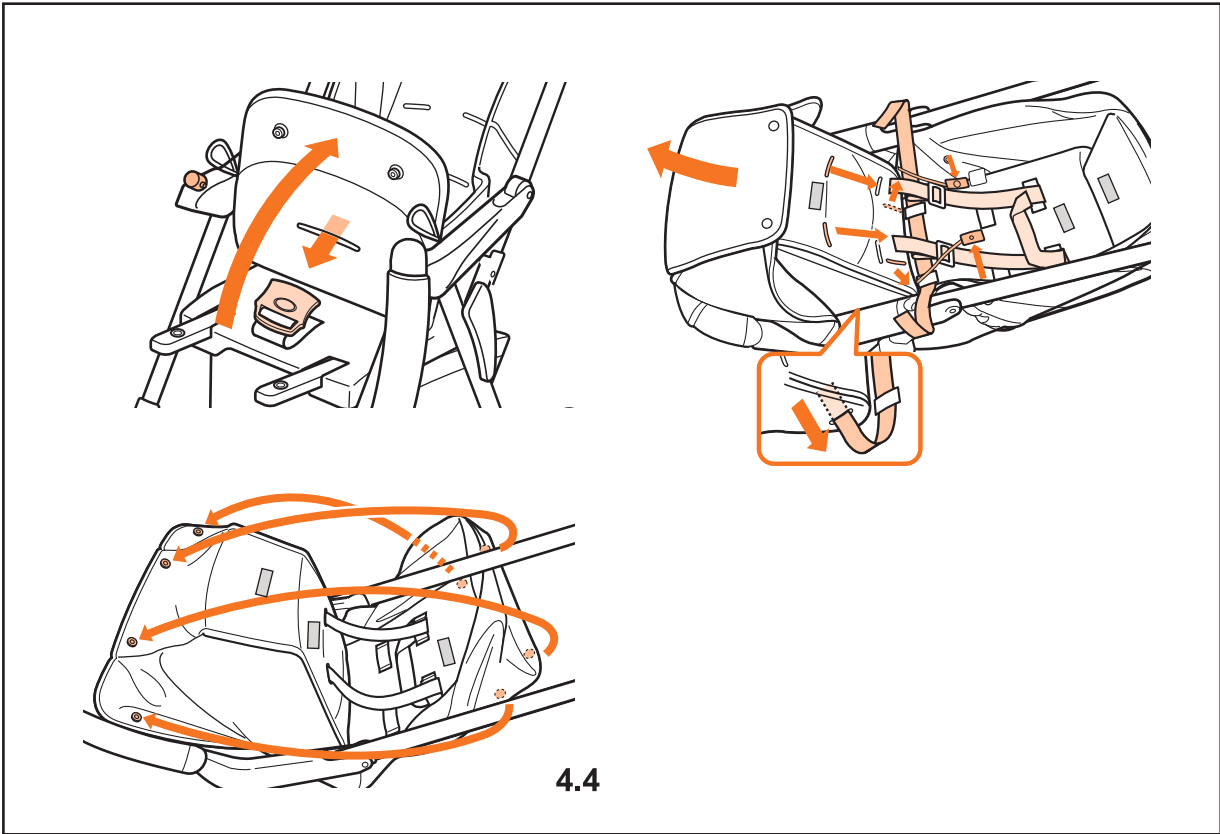
4.1



4.2



4.3



READ CAREFULLY BEFORE USE AND KEEP THESE INSTRUCTIONS FOR FUTURE REFERENCE.

WARNING

Please read this instruction manual carefully and keep it for future reference.

The safety of the child may be seriously endangered if the instructions are not followed.

You are personally responsible for the safety of your child.

- Never leave your child unattended: It may be dangerous.
- Always apply the parking brake when you are stationary.
- Always secure your child with the safety harness.
- Do not hang anything from the handlebar. This will make the stroller less stable and may cause it to tip.
- Keep all small parts away from children as they are choking hazard.
- To prevent the risk of suffocation, always keep the plastic bags out of the reach of children.
- This product is not suitable for jogging or skating.
- Ensure all locks are secured before each use.
- Before each use check the stroller body, and/or seats are installed correctly and securely locked.
- Use this product to transport one child only.
- Overloading, incorrect folding and the use of non-approved accessories such as buggy boards may damage or break this stroller.
- Use the most reclined position for the children who cannot sit unaided.
- Never allow children operate the stroller.
- Do not use the stroller on the beach.
- Regularly clean and inspect the stroller.
- This stroller has been designed to comply with EN1888: 2012 .
- Do not leave the product near open flames or heat sources.
- Do not allow children to play with this product.
- To avoid injury ensure that your child is kept away when unfolding and folding this product.
- Misuse may result in severe injury or death.
- Make sure the open-fold lock is engaged completely before use. Otherwise the stroller may fold suddenly in use.
- Do not use the stroller on steep slopes, stairs, escalators, rough roads, beaches, mud, etc.
- Do not lift and carry the stroller while a child seated, failure to comply may cause the stroller to fold up suddenly or get hold of the front guard etc. to lift the stroller. Otherwise the stroller may accidentally slip off, or the front guard maybe detached, all of which will cause the stroller to fall down.
- In the event of damage or operation problems, stop using the stroller immediately.
- Avoid serious injury from falling or sliding out. Always use seat belt (crotch belt, waist belt and shoulder belt).
- Pay attention to child even when seat belt is in use in case of any sudden movement of child causing it to fall off.
- Do not allow your child to stand in or on the stroller, it may be dangerous.
- Never leave your child unattended.
- Do not lean on or hang loads on the handle.
- Do not put or hang things on the canopy or handle as it may cause tipping over.
- Do not hang parcels or accessory items (Except items provided in the sales package) on the stroller. Otherwise damage may be caused to stroller.

READ CAREFULLY BEFORE USE AND KEEP THESE INSTRUCTIONS FOR FUTURE REFERENCE.

WARNING

- Never carry more than one child in the stroller. Do not allow a child to ride or sit on areas other than the seat.
- Excessive weight may cause a hazardous unstable condition exist. (Maximum load: From 1month ~ 15kg, EN1888. Basket maximum load: 5kg.)
- Do not attach other accessory like buggy board on the main body during a child being carried in stroller, otherwise accident or damage to stroller may be caused.
- Stroller may move suddenly or tip over even when stoppers are engaged.
- Do not leave baby stroller at road side or slope even when it is not in use.
- Please do not touch the folding lever except when folding the stroller.
- Do not rely too much on the stoppers even when the stroller is parked empty.
- Even with both stoppers engaged, always stay close to the stroller when it is carrying a child. Make sure to engage both sides of the stoppers to avoid sudden movement or tipping over.
- Make sure to use the seat belt when the child is seated. The front guard is not designed to prevent the child from standing up.
- Do not let the child operate the front guard. It may make the child to fall off from the stroller.
- Do not use the seat cushion on which rift is found. Otherwise the seat cushion may not function as designed or the child may have chance to swallow the material inside the cushion.
- Make sure all snaps are secured before use. Otherwise accident or damage to stroller may be caused.
- Always let the child wear the seat belt in the stroller to avoid any possible accident.
- Adjust the seat belt to fit to the child.
- Do not cross the shoulder belts with each other when securing the shoulder belts to the insert plastic. Otherwise excessive pressure may be caused to child's neck.
- Loose the shoulder belts before lowering the seat angle with a child seated.
- Adjust the length of seat belt properly after change of the seat angle.

SAFETY INSTRUCTION

Use the Combi Urban Walker Classic for only one child at a time.

- The stroller is suitable for children from one month newborn to 15kgs (approximately 3 years on average). (Use the most reclined position for the children who cannot sit unaided.)
- Keep your child and your fingers/hands away from moving/folding parts when folding or unfolding or adjusting the stroller.
- Never lift the stroller or use it on escalators or stairs when your child is sitting or lying in the stroller.
- This stroller requires regular maintenance by the user.
- Before each use check that the product and all its components have not been damaged during transportation.
- If damage is identified, do not use the product and keep it out of reach of children.
- Never leave the stroller close to stairs or steps.
- Only use on a flat, relatively smooth, stable and non-slippery surface.
- Do not make any modifications to the product. Refer to the warranty card for more information.

CAUTION

- Misuse may result in injury or damage of product.
- Please do not use the stroller in whatever purposes other than seating a baby. Failure to comply may result in damage of the stroller.
- Never leave the child in a stroller without seat cushion. The child's hands or feet maybe get jammed in between the stroller frame.
- Do not let children operate the baby stroller to avoid accident.
- Be careful of those around you to avoid pinching their fingers when you are opening or folding the stroller or adjusting the seat angle.
- Do not pull or twist or forcibly press down the front guard hardly. Otherwise the stroller may be damaged.
- Make sure to fasten the seat belt after seating the baby. Check if the seat belt fits properly. Otherwise the baby may fall off from the stroller.
- Pay particular attention to baby's hands in case they may be pinched when switching the handle's direction.
- Do not apply a lifted seat to baby who cannot sit straight by itself, most reclined seat must be used.
- Lift the backrest a little to use if the seat is found too narrow when fully reclined. However, the baby should be able to sit straight when stroller is used in such way.
- Do not use the most reclined angle if the baby's head touches at the head rest.
- Do not let an adult sit on the stroller, or add load on the stroller to avoid any damage to it.
- When pushing the stroller, please walk slowly to avoid any damage to the stroller swivel wheels or any tipping over happened.
- Do not load more than 5 kg into the basket to avoid damage.
- When pushing the stroller, please pay attention to any hole or track on the ground to avoid the front wheel from accidentally getting jammed and tipping over.
- Do not use the stroller in snowy, windy days or wet road to avoid the stroller or guardian from slipping.
- Do not use the stroller in lightning days to avoid thunder stroke.
- Avoid continuous outdoor usage particularly during day time in summer.
- Avoid storing the stroller in places that under high temperature, near a heat source or inside a car. Exposure to high temperature may damage or deform the stroller.
- Do not remodel or restructure the stroller by yourself.
- Check regularly that all screws, bolts and nuts are engaged tightly.
- Do not use the stroller on public vehicles.
- Swivel wheel lever should be secured at the same side of the pushing person. Lever secured in wrong position may affect maneuvering or damage the product.
- Lift front wheels to cross obstacle etc. which is over 3cm of height. Do not hit front wheels directly to obstacle or wheels may be damaged.
- Lift front wheels and pay particular attention to gaps or ditch when crossing rail road.
- No continuous use for a long period
Continuous use for a long period of time may exhaust baby. No continuous use of more than 2 hours for a baby seated in a reclined seat and 1 hour in an upright seat.

CAUTION

- For use on trains
- This product is not designed to be used on trains. When user attempts to use the product at his/her own risk, please lock stoppers in case of sudden brake or turning. Otherwise stroller may fall off.
- Open the baby stroller in clear area to avoid pinching baby's finger.
- Do not press on the folding lever while lift the stroller to avoid damage to the parts. When feel jammed, please do not forcibly fold the stroller to prevent from any damage. You should reopen the stroller to check and operate again.
- Make sure the basket is empty before folding up the stroller.
- Make sure the canopy is completely folded up before folding the stroller to avoid damage of the parts.
- Turn swivel wheels to inner side and lock up before folding the stroller. Improper position may cause stroller becoming imbalanced after folded.
- Be careful not to pinch the baby's hands or feet when reversing the handle.
- Check the baby's situation from the front side before reversing the handle.
- Do not reverse handle while pushing the stroller.
- Do not touch at the handle lock when folding or unfolding the stroller. Otherwise damage may be caused to the stroller.
- Even when empty, always engage both stoppers since the stroller may suddenly move.
- Swivel wheels when secured in wrong position may obstruct smooth strolling. Make sure it is secured in correct position.
- Do not lay down the stroller and do not put things on the canopy to avoid deformation.
- Do not get hold of an opened front guard to pull the baby stroller.
- Do not forcibly press on the front guard to avoid damage.
- The used insert outlet from the base seat and the cushion should be matched.(e.g. upper insert outlet of base seat should match with upper insert outlet of cushion.) Otherwise, the shoulder belt may not be long enough to harness the baby.
- Insecure insert plastics may get detached accidentally when in use. Make sure the insert plastics are secured before use.
- It is extremely dangerous to adjust the seat angle when pushing the stroller. Do stop the stroller first before operation.
- Do not suddenly change the seat angle while a child is seated.
- Support the backrest with the other hand when lowering the seat angle with a child seated.
- Do not put things that are too sharp or too large into the basket since it may cause damage to the basket.
- Only use neutral detergent to clean the stroller body.
- Make sure no oil or lubricant is left on parts such as front gurad or armrest where baby may have chance to lick.
- The parking device shall be engaged when placing and removing the children.

LIST OF COMPONENTS

- | | | |
|------------------------|--------------------------|-------------------------|
| 1. Handle | 10. Foot rest | 19. Waist belt |
| 2. Canopy | 11. Swivel wheel locks | 20. Croth belt |
| 3. Headrest | 12. Basket | 21. Croth buckle |
| 4. Seat cushion | 13. Parking brake | 22. Seat recline buckle |
| 5. Armrest | 14. Safety lock | 23. Reclining cords |
| 6. Front guard buttons | 15. Folding lever | 24. Foot-cover |
| 7. Front guard cover | 16. Shoulder belt | 25. Handle lock |
| 8. Front guard | 17. Shoulder belt outlet | |
| 9. Leg support bar | 18. Waist buckle | |

INSTRUCTIONS

Unfolding / Opening (Figure 1.1)

- 1 Slide the safety lock and hold the folding lever as demonstrated.
- 2 Lift the stroller handle up and back to unfold.

Lock the swivel wheel lock (Figure 1.2)

- a. Press down the swivel locks by hand to allow the wheel to turn freely.
- b. Lift the swivel wheel lock to fix the direction.

Parking brakes (Figure 1.3)

- a. Push the parking brake down to activate the parking brake.
- b. Lift it up to release the parking brake.

NOTE : Do not apply excessive pressure to the brake.

The parking brake should be engaged while placing and removing the child.

Leg support bars (Figure 1.4)

- 1 Lift the cushion and pull out the leg support bars.
- 2 Clip the seat cushion to the leg support bars.

Front guard

(Figure 1.5)

- 1 Press and hold both buttons to open the front guard.
- 2 Open the front guard.

(Figure 1.6)

Refasten the front guard by sliding it onto the attachment point.

Sun Canopy

Using in small covering size (Figure 2.1)

Unfolding the canopy from backward. Secure the buckle on the canopy.

Using in big covering size (Figure 2.2)

Release the canopy buckle and unfold the canopy further to the front. The buckle must be released to unfold the canopy to the biggest covering size.

Ventilation/Viewing window (Figure 2.3)

Completely unfold the canopy and open (roll up) the ventilation window cover and secure it with the buckle.

Safety harness (Figure 2.4)

- ❶ Attach the shoulder harness to the waist strap by sliding the shoulder harness loop onto the hook of the waist harness.
- ❷ Click both waist buckles into the crotch buckle until the click firmly into place.
- ❸ Press the center buckle to release the harness.

WARNING : Children should be harnessed at all times.

Adjusting the waist belt (Figure 2.5)

Pull the belt in the direction illustrated to adjust its length.

NOTE : Always leave at least 3cm at the belt end.

Crotch belt cannot be adjusted (Figure 2.6)

NOTE : Always use the crotch belt together with the waist belt and shoulder belt and make sure they are properly adjusted.

Adjusting the shoulder belt (Figure 2.7)

- a. Extend the belt by the desired amount by pulling it from point 1.
- b. Pull the buckle up (as shown in point 2) to extend.
- c. Pull the buckle strap end as shown in point 3 to tighten.

NOTE : Always use the crotch belt together with the waist belt and shoulder belt and make sure they are properly adjusted.

Adjusting the backrest

(Figure 3.1)

Pull out the recline ring to recline the seat back to the desired angle.

(Figure 3.2)

Pull the recling cords (as illustrated) to raise the seat back.

NOTE : Raising the backrest while a child is leaning on the backrest may be difficult.

Reversing the handle (Figure 3.3)

- ❶ Lift and hold the handle lock on both sides of the handle.
- ❷ Reverse the handle and release the handle locks and the handle will lock in place on the other side.

NOTE : Move the handle back and forth to make sure it is secured.

Attaching the sun canopy (Figure 3.4)

To attach the sun canopy, slide the canopy attachment onto the frame fastening points (on each side). Secure the snaps (left and right) at the back of canopy to the seat.

Detaching the sun canopy (Figure 3.5)

Pull underneath the canopy joint and gradually pull up the canopy away from the canopy holder.

Folding the Stroller (Figure 3.6)

- 1 Slide the safety lock and simultaneously squeeze the folding lever and lift the stroller slightly.

WARNING : When opening and closing the stroller, please ensure your child and other children are kept at a safe distance. Please ensure that they are not in contact with any moving parts. Remove all items from the basket before folding the stroller.

Basket (Figure 4.1)

- a. The basket can load maximum weight of 5kgs.
- b. You can attach and remove it using the belt and snaps.

NOTE : Do not exceed the permitted weight of 5kgs.

Removing the seat cushion (Figure 4.2-4.4)

- 1 Unfasten both narrow elastic straps at the seat fabric from the side of the stroller.
- 2 Detach the rear seat fabric clips from the top and side of the seat. Pull through the waist and shoulder harness and then remove the seat cushion from the seat base.

WARNING : Making sure the seat cushion has been correctly attached before use.

NOTE : To attach the seat fabric, follow these steps in reverse order.

Adjusting the height of the shoulder harness (Figure 4.5)

- 1 Unfasten the seat fabric clips at the top of the stroller seat and pull the fabric forwards.
- 2 Insert the shoulder harness into correct insert outlet for your child.
- 3 Push the shoulder harnesses through the harness openings in the seat cushion.
- 4 Adjust the shoulder harnesses to the suitable height positions.

NOTE : The lowest shoulder harness insert outlets should be used for children under 6 months.

Attaching the foot cover (Figure 4.6)

- 1 Lift the front part of the seat cushion and if attached, release clips on the leg support bars from the underside of the seat fabric.
- 2 Extend the leg support bars and place the bottom of the footcover below the seat fabric and on the leg support bars.
- 3 Secure the clips on the underside of the foot cover to the leg support bars and fasten the side clips to the side of the seat fabric.






Hints for maintenance

- Never force any mechanism or moving parts.
- To prevent mold forming ,do not store this product when wet or in a humid environment.
- Protect the product from rain,snow and prolonged exposure to sunlight.
- Clean the plastic and metal parts with a wet cloth. For stubborn stains, use a diluted mild detergent.
- You may lubricate moving parts if the operation or movement of the stroller is not smooth. Do not apply excessive lubricant as it may lead to a build up of dirt which may cause malfunction.

Cleaning and maintaining fabrics

- Always follow the washing instruction listed below as well as those attached to the various fabric parts.
- Dry the fabric parts completely before using or storing it.
- Hand wash in warm water (30 degrees Celsius)

Fabric care guidelines

 Hand wash in warm water.	 Do not tumble dry	 Do not dry clean
 Do not bleach	 Do not iron	

使用前請詳細閱讀本說明書並妥善保存作日後參考之用。

警告

不按照本使用說明書指引使用手推車，可能對幼兒造成重大傷害。

幼兒的安全是您的責任。

- 請勿單獨將幼兒留在手推車內：可能會導致危險。
- 停止手推車時，請使用停車鎖。
- 請務必使用安全帶。
- 請勿在把手管上懸掛物品，可能導致手推車不穩定，有翻倒危險。
- 切勿將小配件放近幼兒，以免幼兒吞下而造成窒息的危險。
- 為了防止幼兒有窒息的危險，在拆開包裝後，請將膠袋之類的包裝物料放置於幼兒接觸範圍外。
- 本產品不適用於奔跑或滑行。
- 使用手推車前，請確保所有鎖定裝置均解除已鎖定。
- 在每次使用前，請確認車體和坐墊是否安裝正確並鎖定牢靠。
- 本手推車一次請勿承載超過一名幼兒。
- 過份超載，錯誤摺疊以及使用未經認可的附件會對手推車造成損壞。
- 對還未能坐直的幼兒，使用手推車時，請以最大平躺角度使用。
- 切勿讓幼兒操作手推車。
- 請勿於沙灘上使用本手推車。
- 請定期清潔以及檢查手推車。
- 本手推車符合EN1888:2012。
- 請勿將手推車靠近火源或熱源。
- 請勿讓幼兒玩耍手推車。
- 打開或收摺手推車時，請讓幼兒遠離手推車，以免使幼兒受傷。
- 錯誤操作可能引致重大傷害或死亡。
- 使用前一定要確認開關鎖已鎖上，否則手推車會有突然折起的危險。
- 不可於斜坡、階梯、自動電梯、顛簸坡道、沙灘、泥地等場所使用手推車。
- 切勿搬動乘載了嬰孩的手推車，或手推車突然收合，或手執前護欄等地方搬動手推車，以免手推車意外滑脫，或令前護欄鬆脫，引致手推車掉下。
- 如手推車出現損壞或操作問題，應立即停止使用。
- 為避免意外，兒童應在任何時刻佩帶安全帶，安全帶包含中央帶，腰帶和肩帶。
- 為防止幼兒突如其來的動作令其跌出手推車，即使已經扣上安全帶，也請經常留意幼兒，小心使用。
- 不可讓幼兒站立在車上，這是十分危險的。
- 切勿讓幼兒單獨坐在車上。
- 切勿把身體靠於或把重物掛於把手上。
- 切勿懸掛物件於車篷或把手上，以免引致手推車翻倒。

使用前請詳細閱讀本說明書並妥善保存作日後參考之用。

警告

- 如懸掛包裹或其他物件（附設包裝箱內之物件除外）或配件於手推車上時有可能導致手推車不穩定。
- 切勿承載超過一名幼兒，或讓幼兒坐在座椅以外的地方。
- 承載超重會容易產生不穩定的危險情況。（最大承載量：1個月~15kg，符合歐洲標準化委員EN1888安全規定。置物籃最大承載重量：5kg。）
- 請勿外加任何以輪板或元件於主體上乘載幼兒，以免對手推車造成損壞。
- 即使已經鎖上停車鎖，手推車也有可能意外滑動或翻倒。
- 即使幼兒不在車上，也不可將手推車隨意放在路旁或斜坡等危險地方。
- 除開折手推車外，請勿觸碰開關掣。
- 不論有否乘載嬰孩，停車時勿過分信賴停車鎖的性能。
- 即使已使用停車鎖，如載有嬰孩應隨時留意手推車附近，以防任何危險發生。
- 乘載幼兒時必須繫上安全帶。護欄不能防止幼兒從座椅上站起來。
- 不要讓幼兒操作護欄以免其意外跌倒。
- 請勿使用磨損或破損的椅墊，以免椅墊不能發揮其應有功能，或令幼兒誤吞內裡的棉花等。
- 安裝椅墊時，請確保所有鈕扣等已經裝好，以免引致意外或造成損壞。
- 為了防止孩子跌落，孩子乘坐時必須繫上安全帶。
- 請牢牢地聯繫上安全帶，但注意不要過緊。
- 將肩帶扣在插扣片上時，請勿交叉肩帶，以免肩帶對幼兒頸部造成壓迫。
- 在已乘載幼兒的狀態下調低座椅角度時，請先將肩帶調鬆。
- 調較座椅角度後，請重新調較安全帶至適當長度。

安全守則

本手推車（Urban Walker Classic）一次僅能承載一名幼兒。

- 本產品適用於一個月初生兒至15公斤（大約三歲）的幼童（對還未能坐直的幼兒，使用手推車時，請以最大平躺角度使用）。
- 收摺，打開或調節手推車時，請勿讓幼兒或您的手接觸活動零件部分。
- 當幼兒乘坐時，請勿在電梯上使用或搬動手推車。
- 使用者必須對本產品作定期保養。
- 每次使用前請檢查配件是否在運輸過程中被損壞。
- 如發現損壞，請勿使用本產品並將其存放在遠離幼童的地方。
- 請勿將本產品放近樓梯或梯級上。
- 只可在平坦，相對平滑、穩定的路面使用手推車。
- 請勿使用非原廠供應的零件替換或自行改裝手推車。請勿自行改裝手推車。這些在服務卡中也有。

⚠ 注意

- 錯誤操作可能引致受傷或組件損壞。
- 請勿將手推車作乘載幼兒以外的用途，否則會引致損壞。
- 切勿讓嬰孩乘坐未安裝椅墊的手推車。幼兒的手腳可能被車架夾到。
- 不要讓幼兒操作嬰兒手推車，以免手推車翻倒或發生其他意外，或者引致意外。
- 開關手推車或調節座墊時要注意四周旁人及小孩，以免夾傷指頭。
- 請勿用力拉動、扭動、壓下前護欄，以免引致損壞。
- 幼兒坐下後，須扣上安全帶。請確認安全帶沒有鬆脫，以免幼兒突然跌出手推車。
- 轉換把手方向時，請勿讓幼兒手部放在側扶手上，以免意外夾傷幼兒。
- 對還未能坐直的幼兒，切勿使用直立角度，請以最平躺角度使用。
- 假如放低椅背使用時座位太窄，可以將靠背調高一點使用。但注意幼兒應已差不多能獨自坐直，才可這樣使用。
- 假如幼兒頭部碰到護頭板時，請勿使用躺臥角度。
- 請勿讓成年人坐上手推車，或在上面放置重物，以免損壞手推車。
- 推動手推車時請勿奔跑，應慢慢步行，以免轉向輪損壞，或引致翻倒等意外。
- 盛物籃請勿載重超過5公斤，以免引致損壞。
- 推動手推車時請小心路上凹陷之地方，以免前輪意外陷進溝內令手推車翻倒。
- 請勿於雪地和強風時或濕滑路面上使用，以免令手推車或監護者意外翻倒。
- 請勿於打雷時使用手推車，以免意外遭受雷擊。
- 夏天使用時，戶外的天氣和路面情況會令手推車溫度提高，應避免連續長時間使用。
- 避免將手推車存放於高溫，接近熱源的地方或車箱內，因高溫可使手推車變形。
- 請勿隨意改造或拆卸手推車。
- 請定期檢查所有螺絲是否上緊。
- 請勿於公共汽車上使用手推車。
- 轉向輪鎖杆應該鎖定於推行者的一方。固定在不正確位置的方向輪鎖杆會令推行更困難，或構成故障原因。
- 當路面石階等段差超過3cm時，請提高前輪跨越石階。直接撞向石階會令前輪受到衝擊，造成產品損壞或翻倒。
- 跨越火車軌和汽車道的十字道口等時，請提高前輪跨越間隙，以免前輪意外卡在溝內。
- 禁止長時間使用
連續長時間使用會對幼兒造成負擔。躺臥姿勢的連續使用時間上限為2小時，坐著姿勢的則為1小時。

⚠ 注意

- 有關火車上的使用
本產品並非以火車上的使用為目的所設計的產品。假如閣下自行決定於火車上使用，請小心注意，並鎖上停車鎖，以免轉彎或剎車時令手推車翻倒。
- 打開嬰兒手推車時不要讓他人接觸，以免意外夾傷。
- 請勿在提起手推車的狀態下按下開關掣，以免引致組件損壞。
- 感覺有異物卡住時，請勿強行折疊，以免造成損壞。應先打開手推車，確認後再操作。
- 收起手推車前請先確認購物籃內的物品已取出。
- 收折前請先確認車篷已經完全收起，以免引致組件損壞。
- 收折前請將轉向輪翻往內側然後鎖定。如果不將轉向輪鎖定在內側位置，收折後手推車將較易翻倒。
- 轉換把手方向時，請小心確認幼兒手足沒有放在扶手上，以免夾傷。
- 轉換把手方向時，請先從前方確認幼兒狀況後才開始操作。
- 請勿一邊推動手推車，一邊轉換把手方向，以免引致危險。
- 開關手推車時，切勿操作把手鎖，以免造成手推車損壞。
- 無論車內是否載有嬰孩，也須經常按下停車鎖。
- 錯誤固定轉向輪方向會令推動時更困難。請將轉向輪固定在正確位置。
- 收起手推車時，請避免橫放，或於上面置放重物，以免車篷變形。
- 請勿手執開放的護欄來拖動手推車。
- 請勿過度按壓護欄，以免損壞。
- 在座席使用的肩帶穿孔和座墊的肩帶穿孔位置要一致。如使用座席的上方肩帶穿孔，座墊亦同樣要使用上方肩帶穿孔，不然肩帶有可能因長度不足繫緊幼兒。
- 如插扣片未完整安裝好，安全帶有可能於使用時意外鬆脫。請於使用前確認插扣片和安全帶已經牢固裝好。
- 一邊推行一邊調較座席角度是非常危險的，請勿同時進行。
- 在已乘載幼兒的狀態下調較座席角度時，請注意勿讓座席角度突然改變。
- 在已乘載幼兒的狀態下調低座席角度時，請以另外一邊手支持著靠背。
- 請勿盛載太尖或太大的東西。
- 請勿使用非中性的清潔劑清潔車架。
- 請注意勿讓油分附在幼兒有機會舔到的地方，如前護欄，扶手等。
- 抱放小孩時請務必鎖定停車鎖。

部品名稱

- | | | |
|----------|----------|-----------|
| 1. 把手 | 10. 腳踏 | 19. 腰帶 |
| 2. 車篷 | 11. 轉向輪鎖 | 20. 中央帶 |
| 3. 護頭板 | 12. 盛物籃 | 21. 中央帶扣 |
| 4. 座墊 | 13. 停車鎖 | 22. 角度調節扣 |
| 5. 扶手 | 14. 安全鎖 | 23. 角度調節帶 |
| 6. 護欄鬆脫掣 | 15. 開關掣 | 24. 暖足套 |
| 7. 護欄套 | 16. 肩帶 | 25. 把手鎖 |
| 8. 前護欄 | 17. 肩帶穿孔 | |
| 9. 腿部支援桿 | 18. 腰帶插釦 | |

使用方法

打開手推車 (圖1.1)

- 按圖中所示滑動安全鎖并按住開關掣。
- 向上提起並打開手推車。

鎖定轉向輪鎖 (圖1.2)

- 按下前輪轉向輪鎖，車輪可自由轉向。
- 向上推起轉向輪鎖，即可固定車輪前行的方向。

使用停車鎖 (圖1.3)

- 向下按動停車鎖即可鎖定。
- 向上拉起停車鎖方可解除鎖定。

小提示：使用停車鎖時請勿過度用力。

放置嬰兒或從手推車中移除嬰兒時，請確保停車鎖已鎖上。

使用腿部支援杆 (圖1.4)

- 提起坐墊，將腿部支援桿拉出。
- 把坐墊扣於兩邊的腿部支援桿上。

前護欄

(圖1.5)

- 手拿護欄末端并按緊兩邊的護欄鬆脫掣。
- 抽起前護欄。

(圖1.6)

再次固定時將前護欄插入安裝固定點即可。

使用車篷

以較小幅度使用時(圖2.1)

將大型車篷往后收摺，然後扣上大型車篷的釦子。

以較大幅度使用時 (圖2.2)

解開大型車篷上的釦子，將大型車篷再往前方翻開。要完全翻開大型車篷，必須先解開大型車篷上方的釦子。

使用透氣窗 (圖2.3)

- a. 打開天窗需將鈕扣打開。
- b. 關閉天窗，將車篷上的鈕扣重新扣上即可。

使用安全帶 (圖2.4)

- ① 將左右肩帶裝入肩帶鉤中。
- ② 將腰帶左右的插扣片插進安全帶扣內，直到聽到“咔嚓”一聲。
- ③ 按下安全帶扣中央的按鈕解除安全帶。

警告：任何時刻都必須使用安全帶。

調節腰帶 (圖2.5)

- 將腰帶參照圖示的步驟來進行安裝調節。
- 小提示：**注意腰帶末端應留下3cm以上的長度。

中央帶是不可調節的 (圖2.6)

- 小提示：**中央帶必須與腰帶及肩帶一同使用並確認已正確地調節。

調節肩帶 (圖2.7)

- a. 肩帶長度調節時，首先往①的方向拉出想調節長度的帶長。
 - b. 加長時，往2的方向拉動肩帶。
 - c. 縮短時，往3的方向拉動肩帶。
- 小提示：**請始終將腰帶和肩帶合併並和中央帶同時使用，並確保適當地調整它們。

調節靠背

(圖3.1)

手拿角度調節釦並往後拉以調節靠背角度。

(圖3.2)

- 將角度調節帶往箭頭方向拉來調高靠背角度。
- 小提示：**幼兒靠在靠背時，角度調節會變得困難。

手推車換向 (圖3.3)

- ① 提起和按著把手兩側的把手鎖。
 - ② 解除把手鎖並轉換把手方向，直至把手鎖鎖定於另一方。
- 小提示：**來回搖動把手確保它已經固定。

安裝車篷 (圖3.4)

參照圖示將車篷插桿插在車身的插座上，並將車篷的鈕釦扣上。

拆除車篷 (圖3.5)

從插座下方末端方向捏著插桿末端，慢慢將車篷拔出。

收摺手推車(圖3.6)

- ① 滑動安全鎖的同時手握開關掣在向上輕輕提起把手。
- ② 將把手向下壓後即能摺合手推車。

警告：在收摺手推車前，請確保與幼兒保持安全的距離，請勿讓幼兒觸及活動零件。收摺前請拿走手推車上盛物籃中的所有物件。

盛物籃(圖4.1)

- a. 盛物籃的最大載重量是5公斤。
- b. 使用安裝帶子及帶扣並按照圖示步驟安裝或拆除盛物籃。

小提示：盛物籃請勿載重超過5kg。

拆除坐墊(圖4.2-4.4)

- ① 依照圖示解除手推車兩側的腰帶和肩帶。
- ② 解下插扣片，將坐墊下面的鈕扣解除，腰帶和肩帶抽出，然後將椅墊從底座拆下。

警告：使用手推車前務必確認坐墊已正確安裝。

小提示：若需安裝請按照相反的步驟來操作。

調節肩帶高度(圖4.5)

- ① 解開在手推車座席頂部的座墊固定扣及將坐墊向前翻開。
- ② 為了幼兒，把安全肩帶插入正確的穿孔。
- ③ 通過坐墊上的安全帶穿孔推出安全肩帶。
- ④ 調節安全肩帶至適當的高度位置。

小提示：當幼兒未滿六個月時，請使用最低的肩帶穿孔。

安裝暖足套(圖4.6)

- ① 拉起坐墊前端(若附連)，從座椅布底側把兩邊腿部支援杆上的夾子解開。
- ② 把兩邊腿部支援杆伸延和從座椅布底部把腳套底固定在腿部支援杆上。
- ③ 將腳套底的夾子固定在腿部支援杆上，並將側夾固定在座椅布兩側。






保養方法

- 切勿強行拉動活動零件或裝置。
- 請勿把產品存放在潮濕的地方以免產品發霉。
- 避免把產品長時間暴露於雨水或雪霜之中。
- 請以濕布清潔金屬及塑膠部分。如遇頑固污垢，可使用稀釋的清潔劑。
- 若感到手推車操作或運行不順暢時，可以添加適量的潤滑劑。注意不要添加過多的潤滑劑，否則反而會容易沾上塵埃，引起操作異常。

清洗及保養部品

- 請遵守縫製品上所列印的以及以下的洗滌指引。
- 在使用及存放前，請確認已乾燥縫製部品。
- 請以30度以下溫水手洗。

洗滌指引

 溫水中手洗	 不可烘乾	 不要使用乾衣機
 不要使用漂白劑	 不可用熨斗整燙	

Combi Corporation

161366000 2015.05