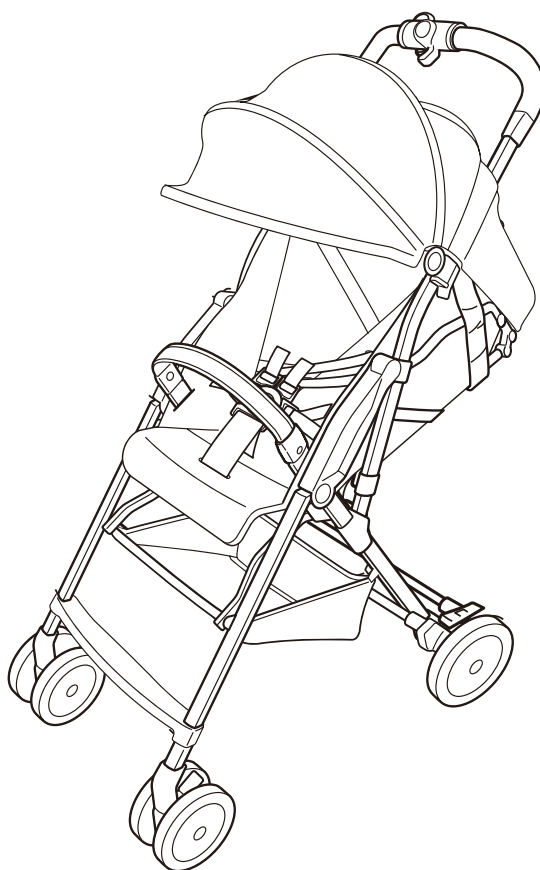


Combi

F2 · F2 Plus



EN Instruction manual

繁體中文 說明書

简体中文 说明书

KOR 사용설명서





F2 · F2 Plus

ENGLISH	Instruction manual	5
繁體中文	使用說明書	14
简体中文	使用说明书	23
KOREAN	사용설명서	32



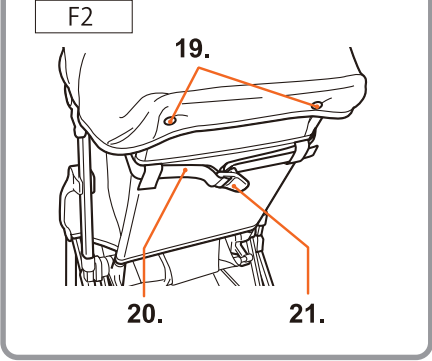
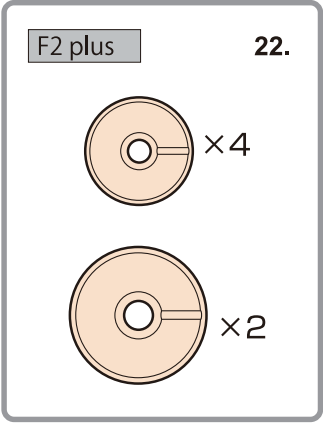
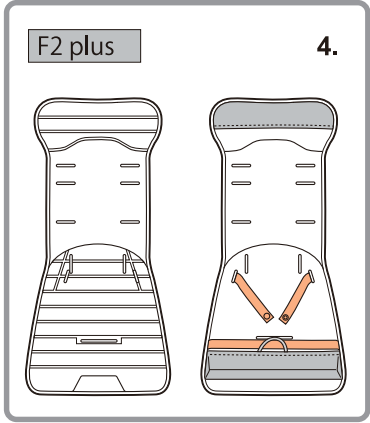
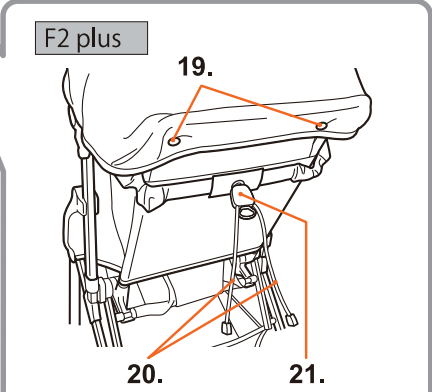
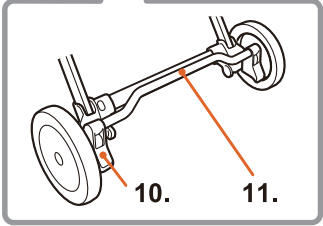
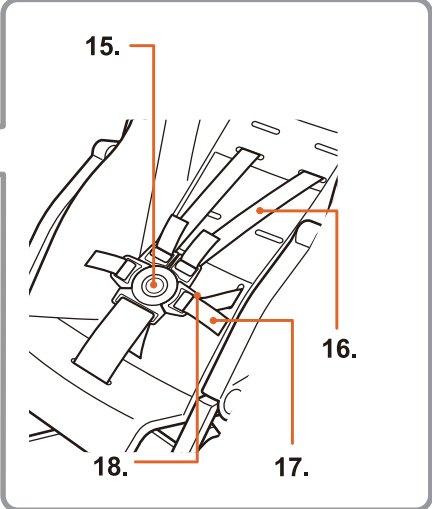
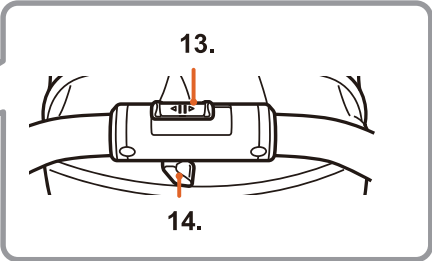
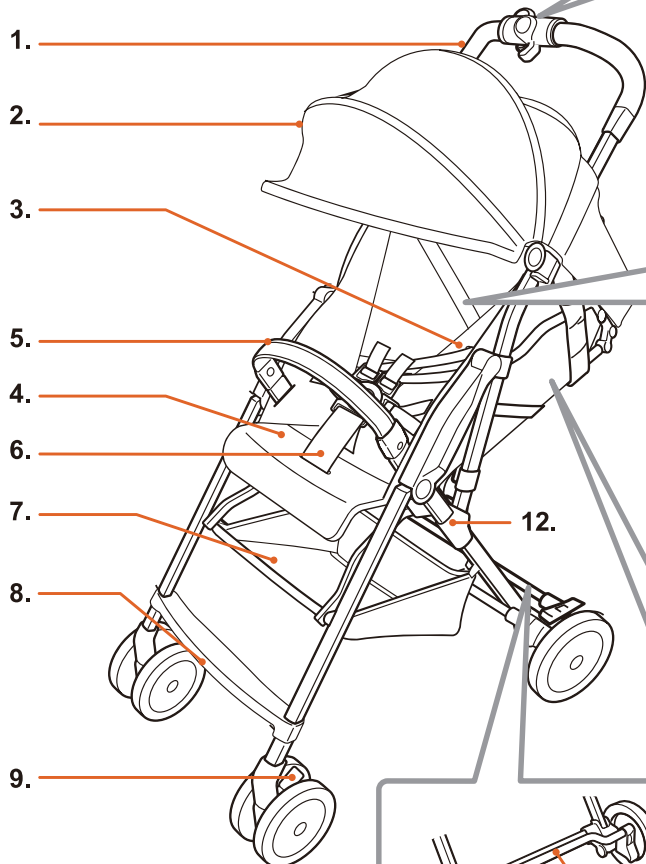
List of components

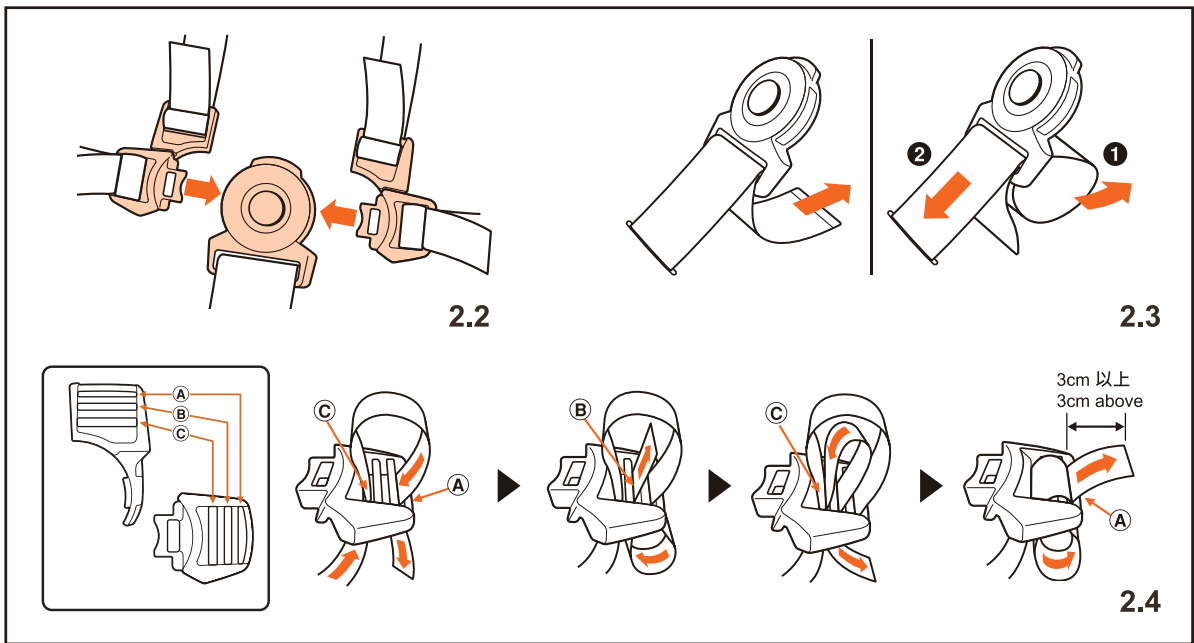
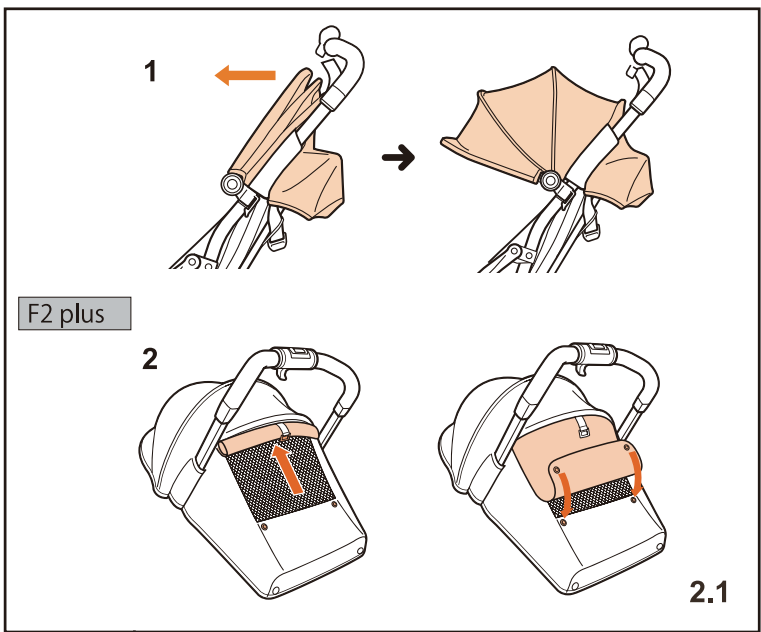
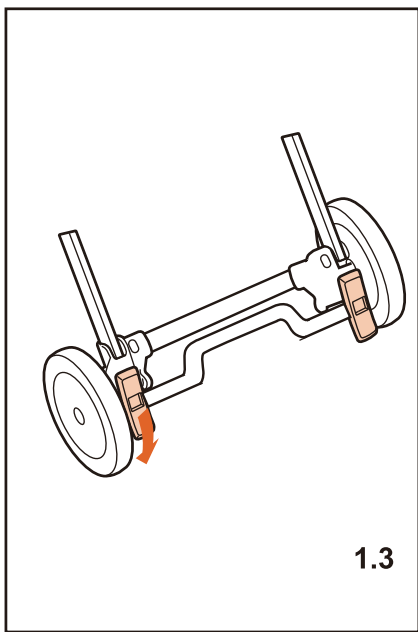
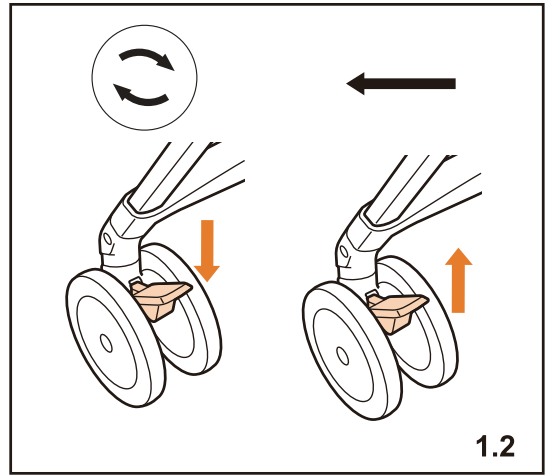
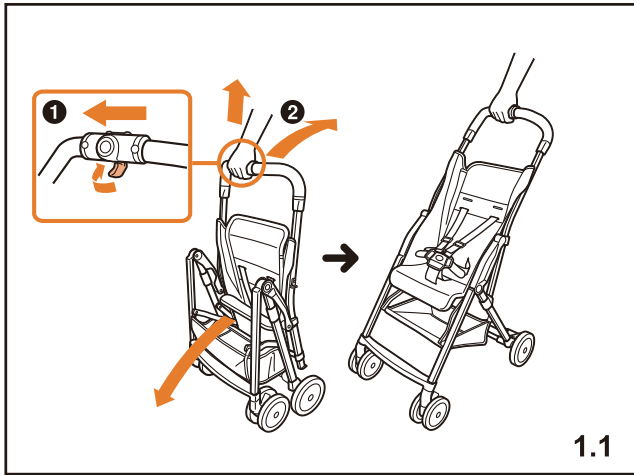
Please refer to page 10 for parts name

部件名稱詳見19頁

部件名称详见28页

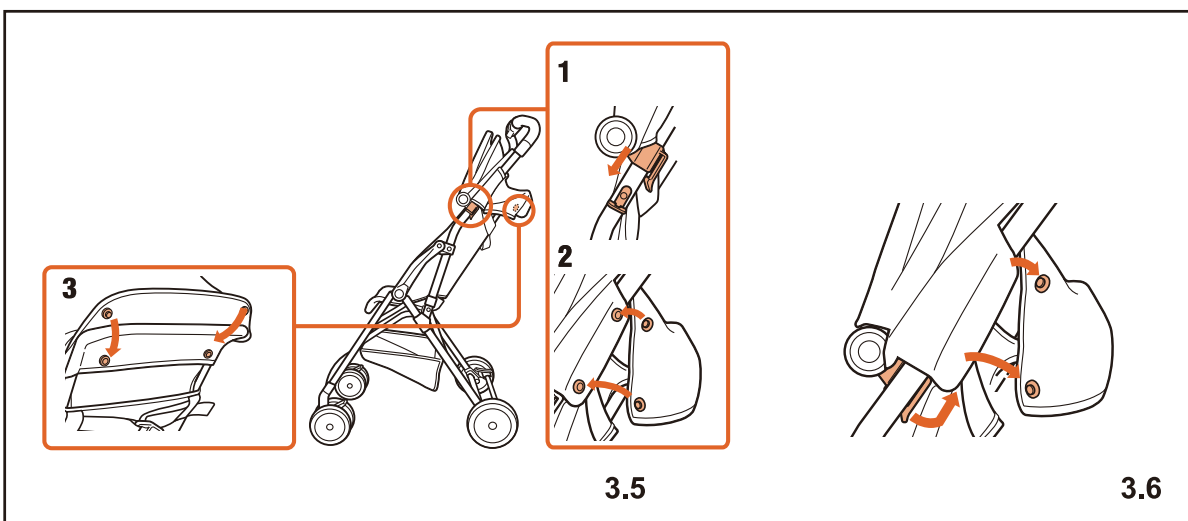
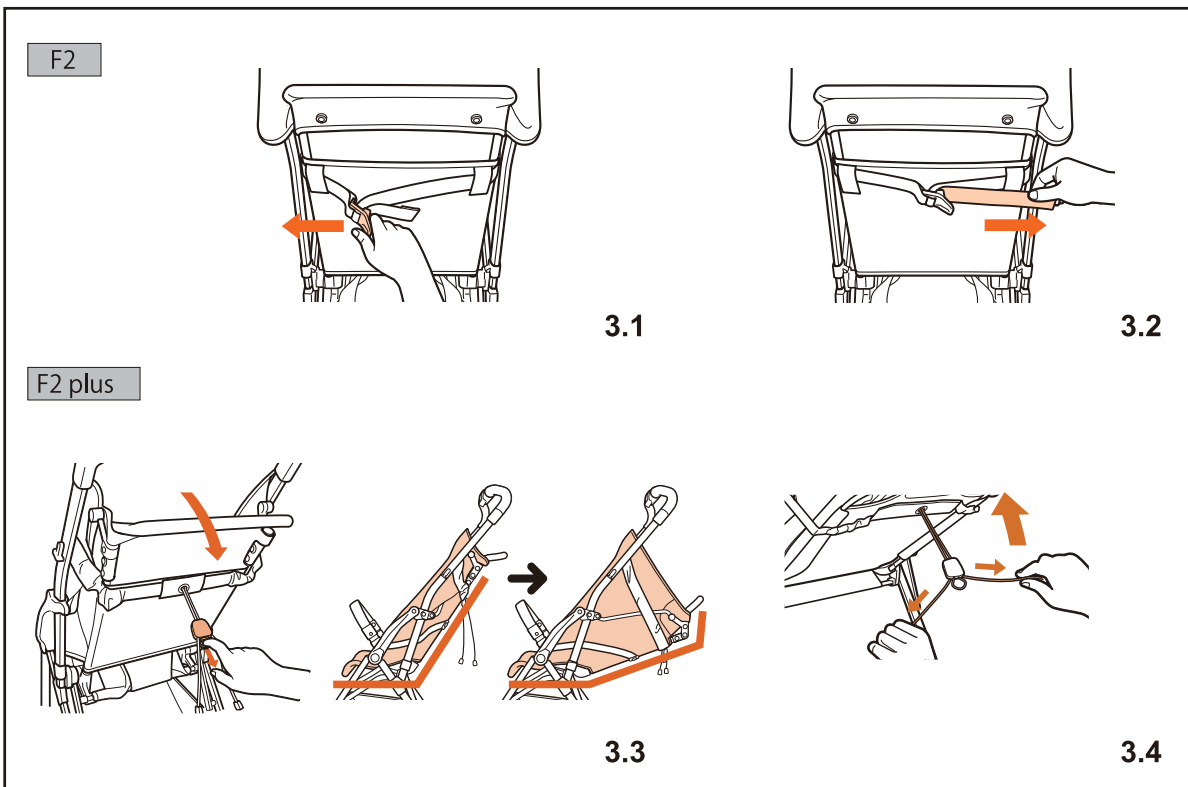
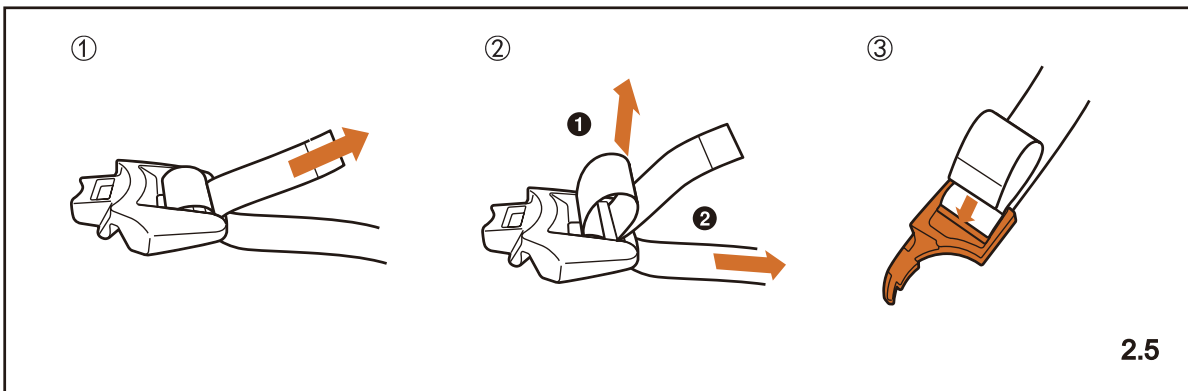
각 부분의 명칭 37 페이지 참조

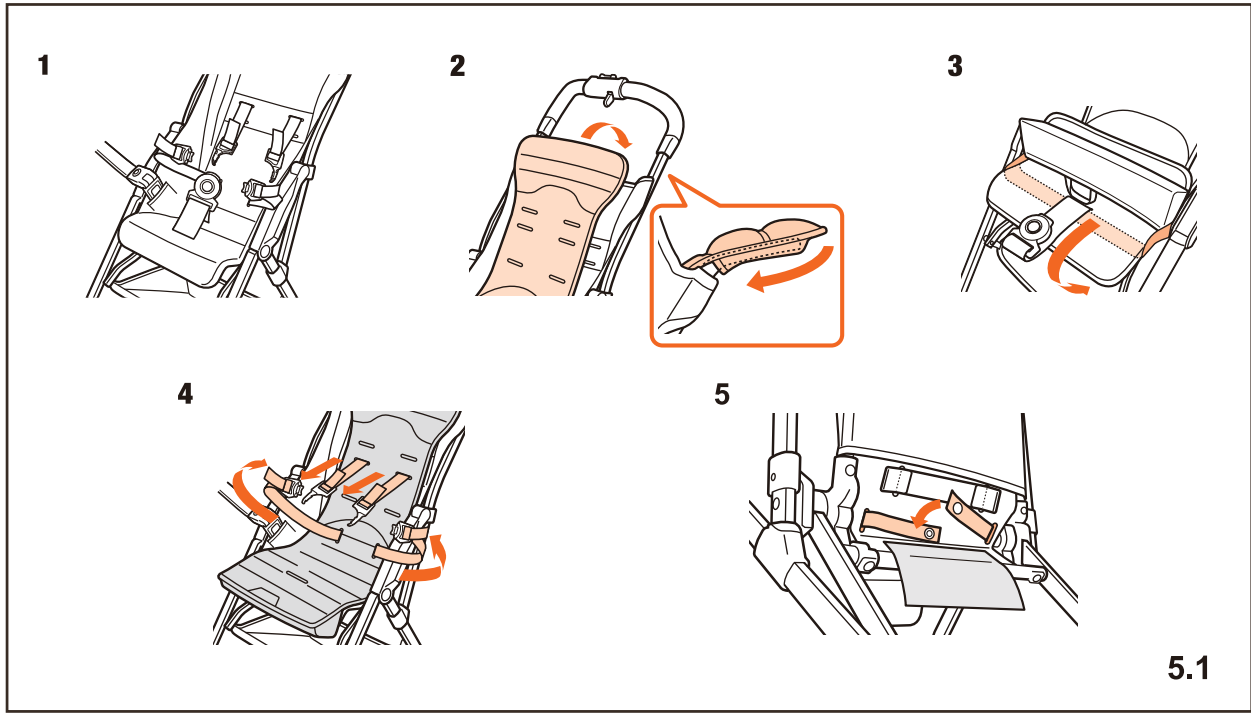
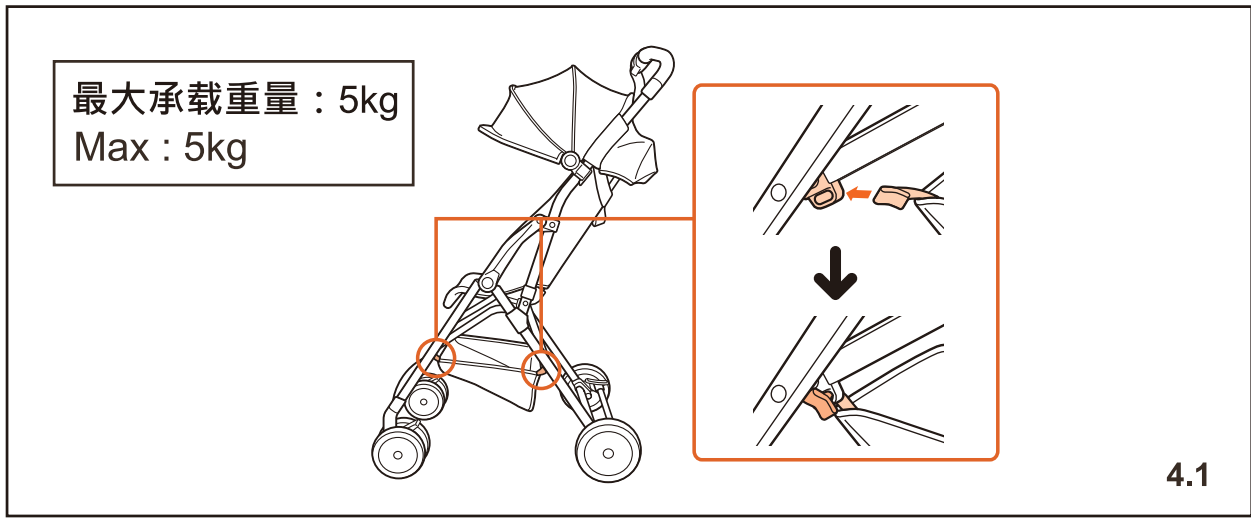
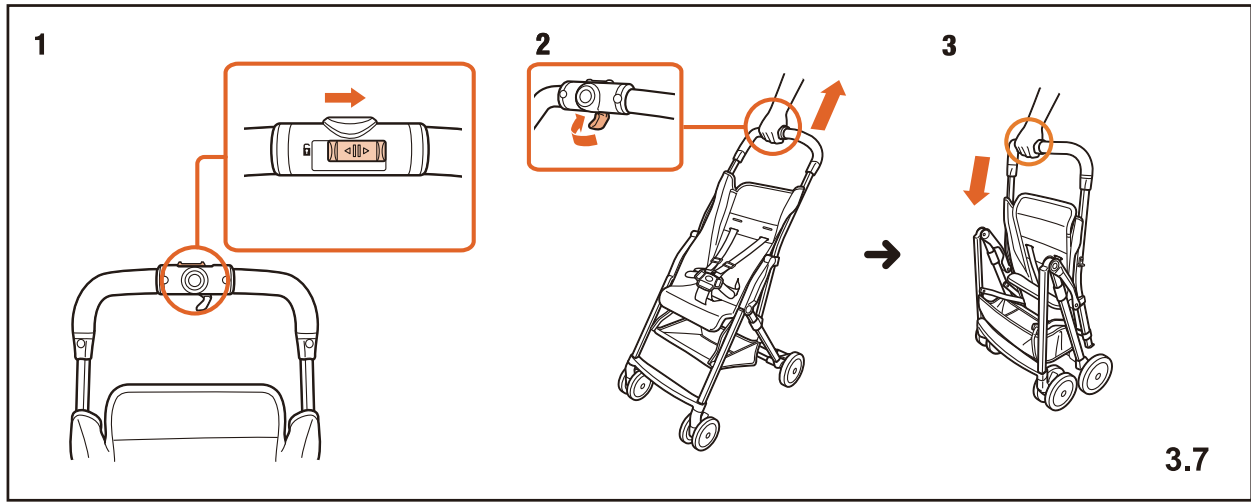


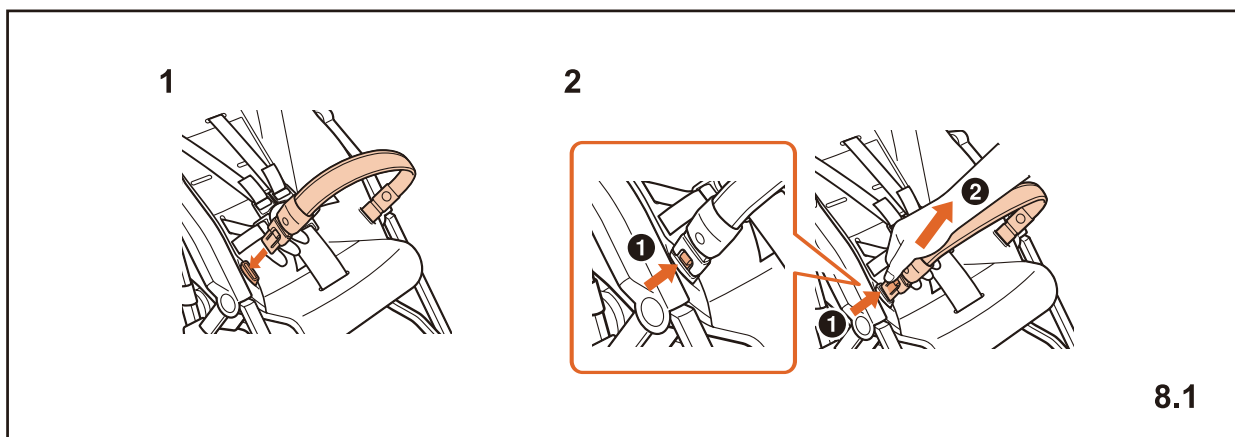
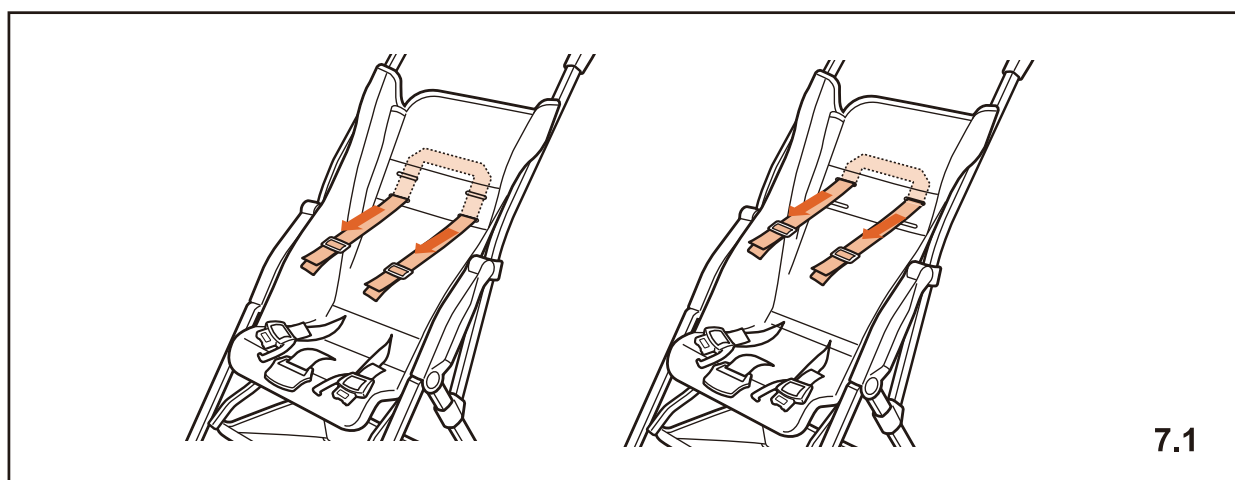
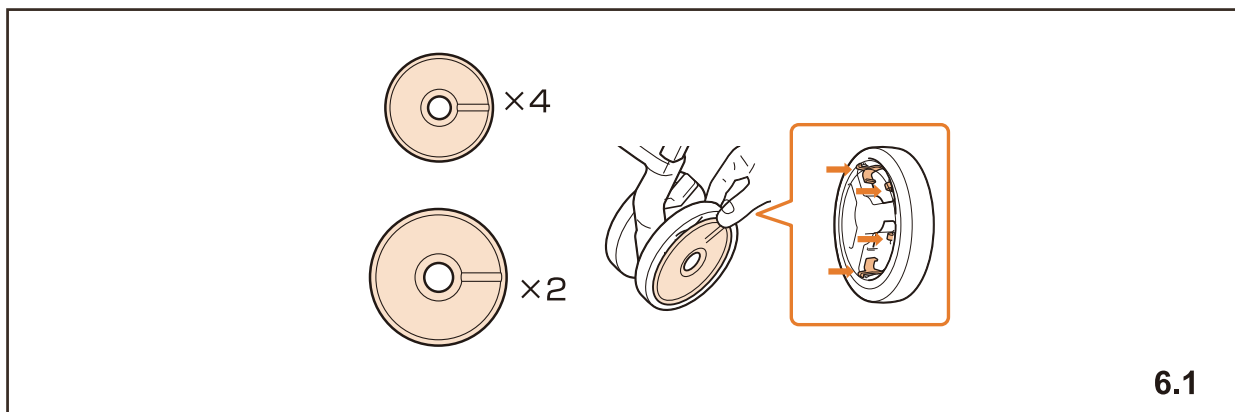


1









CAUTIONS

EN

- Misuse may result in injury or damage of product.
- Please do not use the stroller in whatever purposes other than seating a baby. Failure to comply may result in damage of the stroller.
- Do not let children operate the baby stroller to avoid accident.
- Be careful of those around you to avoid pinching their fingers when you are opening or folding the stroller or adjusting the seat angle.
- Do not pull, twist or forcibly press down the front guard hardly. Otherwise the stroller may be damaged.
- Make sure to fasten the seat belt after seating the baby. Check if the seat belt fits properly. Otherwise the baby may fall off from the stroller.
- Do not apply a lifted seat to baby who cannot sit straight by itself, most reclined seat must be used.
- Lift the backrest a little to use if the seat is found too narrow when fully reclined. However, the baby should be able to sit straight when stroller is used in such way.
- Do not use the most reclined angle if the baby's head touches the head rest.
- Do not let an adult sit on the stroller, or add load on the stroller to avoid any damage to it.
- When pushing the stroller, please walk slowly to avoid any damage to the stroller swivel wheels or any tipping over happened.
- Do not load more than 5kgs into the basket to avoid damage.
- When pushing the stroller, please pay attention to any hole or track on the ground to avoid the front wheel from accidentally getting jammed and tipping over.
- Do not use the stroller in snowy days or on wet road to avoid the stroller or guardian from slipping.
- Do not use the stroller in windy days to avoid the stroller or guardian from slipping.
- Do not use the stroller in lightning days to avoid thunder stroke.
- Avoid continuous outdoor usage particularly during day time in summer.
- Avoid storing the stroller in places that under high temperature, near a heat source or inside a car. Exposure to high temperature may damage or deform the stroller.
- Do not remodel or restructure the stroller by yourself.
- Check regularly that all screws, bolts and nuts are engaged tightly.
- Do not use the stroller on public vehicles.
- Lift front wheels to cross obstacle etc. which is over 1.5cm of height. Do not hit front wheels directly to obstacle or wheels may be damaged or tipping over.
- Lift front wheels and pay particular attention to gaps or ditches when crossing rail road.
- No continuous use for a long period
Continuous use for a long period of time may exhaust baby. No continuous use of more than 2 hours for a baby seated in a reclined seat and 1 hour in an upright seat.

CAUTIONS

- For use on trains

This product is not designed to be used on trains. When user attempts to use the product at his/her own risk, please lock stoppers in case of sudden brake or turning. Otherwise stroller may fall off.

- Open/Fold the baby stroller in clear area to avoid pinching baby's finger.
- Do not press on the folding lever while lift the stroller to avoid damage to the parts.
- Make sure to lock the safety lock after folding up the baby stroller.
- Make sure to release the lock before opening the stroller, misuse may damage parts.
- When feel jammed, please do not forcibly fold the stroller to prevent from any damage. You should re-open the stroller to check and operate again.
- Make sure the basket is empty before folding up the stroller.
- Make sure the canopy is completely folded up before folding the stroller to avoid damage of the parts.
- Turn swivel wheels to inner side and lock up before folding the stroller. Improper position may cause stroller becoming imbalanced after folded.
- Even when empty, always engage both stoppers since the stroller may suddenly move.
- Do not lay down the stroller and do not put things on the canopy to avoid deformation.
- Do not get hold of front guard to pull the baby stroller.
- The used insert outlet from the base seat and the cushion should be matched. (e.g. upper insert outlet of base seat should match with upper insert outlet of cushion.) Otherwise, the shoulder belt may not be long enough to harness the baby.
- Insecure insert plastics may get detached accidentally when in use.
- Make sure the insert plastics are secured before use.
- It is extremely dangerous to adjust the seat angle when pushing the stroller. Stop the stroller before adjusting the seat angle.
- Do not suddenly change the seat angle while a child is seated.
- Support the backrest with the other hand when lowering the seat angle with a child seated.
- Do not put things that are too sharp or too large into the basket since it may cause damage to the basket.
- Only use neutral detergent to clean the stroller body.
- Make sure no oil or lubricant is left on parts such as front guard or armrest where baby may have chance to lick.

EN

IMPORTANT :KEEP THESE INSTRUCTIONS FOR FUTURE REFERENCE.

WARNING

- Misuse may result in severe injury or death.
- Make sure the open-fold lock is engaged completely before use. Otherwise the stroller may fold suddenly in use.
- Locked position (while in use): the Open-fold locks are secured and there is no space in between.
- Unlocked position; the Open-fold locks are lifted and there is space in between.
- Lock completely secured and no space in between the joints.
- Lock insecured with a gap in between the joints.
- Do not use the stroller on steep slopes, stairs, escalators, rough roads, beaches, mud, etc.
- Do not lift and carry the stroller while a child seated, failure to comply may cause the stroller to fold up suddenly or get hold of the front guard etc. to lift the stroller. Otherwise the stroller may accidentally slip off, or the front guard maybe detached, all of which will cause the stroller to fall down.
- In the event of damage or operation problems, stop using the stroller immediately.
- Avoid serious injury from falling or sliding out. Always use seat belt (crotch belt, waist belt and shoulder belt).
- Pay attention to child even when seat belt is in use in case of any sudden movement of child causing it to fall off.
- Do not allow your child to stand in or on the stroller, it may be dangerous.
- Never leave the child unattended.
- Do not lean on or hang loads on the handle.
- Do not put or hang things on the canopy or handle as it may cause tipping over.
- Do not attach other accessory like buggy board to the main body. Otherwise damage may be caused to stroller. Unstable hazardous conditions may exist if carrying other accessories which are not included in the sales package onto the stroller.
- Never carry more than one child in the stroller. Do not allow a child to ride or sit on areas other than the seat.
- Excessive weight may cause a hazardous unstable condition exist. (Maximum load: 15kg. Basket maximum load: 5kg)
- Do not hang parcels or accessory items (except items provided in the sales package) when a child is seated in stroller. Otherwise accident or damage to stroller may be caused.
- Stroller may move suddenly or tip over even when stoppers are engaged.
- Do not leave baby stroller at road side or slope even when it is not in use.

EN

IMPORTANT :KEEP THESE INSTRUCTIONS FOR FUTURE REFERENCE.

WARNING

- Please do not touch the folding lever except when folding the stroller.
- Do not rely too much on the stoppers even when the stroller is parked empty.
- Even with stoppers engaged, always stay close to the stroller when it is carrying a child.
- Make sure to use the seat belt when the child is seated. The front guard is not designed to prevent the child from standing up.
- Do not let the child operate the front guard. It may make the child to fall off from the stroller.
- Do not use the seat cushion on which rift is found. Otherwise the seat cushion may not function as designed or the child may have chance to swallow the material inside the cushion.
- Make sure all snaps are secured before use. Otherwise accident or damage to stroller may be caused.
- Always let the child wear the seat belt in the stroller to avoid any possible accident.
- Adjust the seat belt to fit to the child.
- Do not cross the shoulder belts with each other when securing the shoulder belts to the insert plastic.
Otherwise excessive pressure may be caused to child's neck.
- Loose the shoulder belts before lowering the seat angle with a child seated.
- Adjust the length of seat belt properly after change of the seat angle.
- Any load attached to the handle and/or on the back of the backrest and/or on the sides of the stroller will affect the stability of the stroller.

EN

IMPORTANT :KEEP THESE INSTRUCTIONS FOR FUTURE REFERENCE.**WARNING** 

Please read this instruction manual carefully and keep it for future reference. The safety of the child may be seriously endangered if the instructions are not followed. You are personally responsible for the safety of your child.

- Never leave your child unattended: It may be dangerous.
- Always apply the parking brake when you are stationary.
- Always use the restraint system.
- Do not hang anything from the handlebar. This will make the stroller less stable and may cause it to tip.
- Keep all small parts away from children as they are a choking hazard.
- To prevent the risk of suffocation, always keep the plastic bags out of the reach of children.
- This product is not suitable for running or skating.
- Ensure that all the locking devices are engaged before use.
- Before each use check the stroller body, and / or seats are installed correctly and securely locked.
- Use this product to transport one child only.
- Overloading, incorrect folding and the use of non-approved accessories such as buggy boards may damage or break this stroller .
- Use the most reclined position for the children who cannot sit unaided.
- Never allow children operate the stroller .
- Do not use the stroller on the beach.
- Regularly clean and check the stroller.
- This stroller has been designed to comply with EN1888: 2012.
- Do not leave the product near open flames or heat sources.
- Do not let your child play with this product.
- To avoid injury ensure that your child is kept away when unfolding and folding this product.

SAFETY INSTRUCTIONS

Use the Combi F2/F2 Plus for only one child at a time.

- F2 Applicable age: 6 months till 36 months old. (May vary according to child's growth rate)
- F2 Plus Applicable age: Newborn (1 month) till 36 months old. (May vary according to child's growth rate)
- Keep your child and your fingers/hands away from moving/folding parts when folding or unfolding or adjusting the stroller.
- Never lift the stroller or use it on escalators or stairs when your child is sitting or lying in the stroller.
- This stroller requires regular maintenance by the user.
- Before each use check that the product and all its components have not been damaged during transportation.
- If damage is identified, do not use the product and keep it out of reach of children.
- Never leave the stroller close to stairs or steps.
- Only use on a flat, relatively smooth, stable and non-slippery surface.
- Only use original accessories and parts that have been approved by the manufacturer.
- Do not make any modifications to the product. This is covered in the warranty card.

LIST OF COMPONENTS

- | | | |
|-----------------------|-------------------------|-------------------------|
| 1. Handle | 10. Stopper | 19. Snaps |
| 2. Canopy | 11. Parking brake lever | 20. Reclining belt |
| 3. Base Seat | 12. Open-fold lock | 21. Seat recline buckle |
| 4. Seat cushion | 13. Safety lock | 22. Wheel cap |
| 5. Front guard | 14. Folding lever | |
| 6. Crotch belt | 15. Buckle | |
| 7. Basket | 16. Shoulder belt | |
| 8. Foot rest | 17. Waist belt | |
| 9. Swivel wheel locks | 18. Insert plastic | |

EN

INSTRUCTIONS

Unfolding / Opening (Figure 1.1)

- ① Slide the safety lock and hold the folding lever as demonstrated.
- ② Lift the stroller handle up and back to unfold.

Lock the Swivel wheel lock (Figure 1.2)

- a. Press down the swivel lock to allow the wheel to turn freely.
- b. Lift up the swivel lock to lock the wheels.

Parking brakes (Figure 1.3)

- a. Push the parking brake lever down to release the parking brake.
- b. Press down the stopper to activate the parking brake.

NOTE: Do not apply excessive pressure to the brake.

The parking brake should be engaged while seating or unseating the child.

Canopy (Figure 2.1)

- a. Pull the canopy forward for full coverage.
- b. Pull the canopy backward for reduced canopy coverage.
- c. Undo the snaps to open the top window.
- d. Secure the snaps on top to close the top window.

Safety harness (Figure 2.2)

- a. Seat the child into the stroller and fit the shoulder belts on the child's left and right shoulder.
- b. Attach the insert plastics to the waist belts after confirming the left and right buckles.
- c. Pull out the crotch belt and put the insert plastics into the buckle until a "Click" sound is heard.
- d. Pull the shoulder belts and waist belts to check if it is secured.

WARNING: Children should be harnessed all the time seated.

Adjusting the Crotch belt (Figure 2.3)

- ① Tightening
Pull the center belt end as shown direction.
- ② Extending
Pull toward direction to extend the crotch belt and to tighten the crotch belt.

NOTE: Adjustment ladder cannot be detached from the crotch belt.

Attaching the insert plastics (Figure 2.4)

- ① Use the waist belt end to pass through from the buckle back slot ③ and slide out to slot ①.
- ② Pull out the waist belt end from slot ②.
- ③ Slide out the waist belt end through slot ③.
- ④ Pull out the waist belt from slot ① and adjust the applicable length. (Leave 3cm or above)

Adjusting the waist belt (Figure 2.5)

- ① Pull the waist belt end as shown direction.
- ② Loose and pull out the waist belt in the front as shown direction ①, then pull it inward to extend the length as shown direction ②.
- ③ Use the same method on waist belt to adjust the shoulder straps.

WARNING: Make sure to leave 3cm at the waist belt end.

F2: To recline the backrest (Figure 3.1)

Move to the left while lifting the reclining buckle.

To resume the backrest (Figure 3.2)

Pull the reclining belt to the right as shown in the diagram.

F2 plus: Adjusting the backrest

Figure 3.3

- a. Support the backrest with one hand before reclining the backrest.
- b. Use the other hand to pull out the ring of the angle adjustment buckle.
- c. The headrest will be lifted automatically after the backrest is reclined.
(Movable headguard)

Figure 3.4

Pull the angle adjustment strings as the illustrated direction to raise the seatback.

NOTE: The backrest cannot be lifted while the child is leaning against the backrest.

Attaching the sun canopy (Figure 3.5)

To attach the sun canopy, slide the canopy attachment clips onto the frame fastening points (one each side). Secure the snaps as illustrated.

Detaching the sun canopy (Figure 3.6)

Release the snaps.

Pull underneath the canopy joint and gradually pull up the canopy away from the canopy holder.

Folding the stroller (Figure 3.7)

- ① Slide the safety lock and simultaneously squeeze the folding lever.
- ② Lift the stroller slightly.
- ③ Push the stroller handle away and down.

WARNING: When closing the stroller, please ensure your child and other children are kept at a safe distance. Please ensure that they are not in contact with any moving parts. Remove all items from the basket before folding the stroller.



Installing basket (Figure 4.1)

Use the fixing straps to pass through the four basket holes of front / rear legs, make sure the four straps are well secured.

Attaching the seat cushion (Figure 5.1)

- ① Press on the buckle button to release the insert plastics. Remove the shoulder belts from the shoulder belt hooks.
- ② Place the seat cushion on the base seat and cover the installation pocket (upper) onto the upper part of the base seat.
- ③ Cover the installation pocket (lower) onto the front end of the base seat.
- ④ Pull the shoulder belt, crotch belt through the seat cushion.
- ⑤ Pull the installation belt through the installation belt outlet and secure the snaps underneath the warning label.

EN

NOTE: Follow these steps in reverse to remove the seat cushion.

WARNING: Make sure the seat cushion has been properly assembled before use.

Using in a reversible way

- ① Turn inside out from the installation pocket (upper) of liner seat and cover it onto the upper part of the base seat.
- ② Put the installation belt through the installation belt outlet and pull it out.
- ③ Turn inside out from the installation pocket (lower) of seat liner and cover it onto the front end of base seat.

Removing the wheel caps (Figure 6.1)

- a. To detach the hooks (total 6 places) using your fingers. The wheel cap may unexpectedly pop out during the process, slightly press on the wheel cap while detaching. Do not forcibly pull the wheel cap in order to avoid damage to the hooks or injury.

Attaching the shoulder belt (Figure 7.1)

- a. Pull the shoulder belt through the left and right shoulder belt insert outlet on the seat cushion. Adjust the shoulder belt according to the height of child's shoulder.

Front guard (Figure 8.1)

- a. To attach front guard, lift and plug into the projected part at the end of the armrest.
- b. To open the front guard, press and hold the button at the end of the front guard, detach the front guard.





Hints for Maintenance






- Never force any mechanism or moving parts.
- To prevent mold forming, do not store this product under high humidity environment.
- Prolonged direct exposure to rain, snow and sunlight may damage the stroller.
- Store in a clean dry place when not in use.
- Clean the plastic and metal parts with a wet cloth. For stubborn stains, use a diluted mild detergent.
- You may lubricate moving parts if the operation or movement of the stroller is not smooth. Do not apply excessive lubricant as it may lead to a build up of dirt which may cause malfunction.

EN

Cleaning and maintaining fabric

- Always follow the washing instructions listed below as well as those attached to the various fabric parts.
- Dry the fabric parts completely before use or storage.
- Hand wash in warm water (30 degrees celsius)

Fabric care guidelines

 Hand wash in warm water	 Do not tumble dry	 Do not dry clean
 Do not bleach	 Do not Iron	





Combi Corporation

162476130

