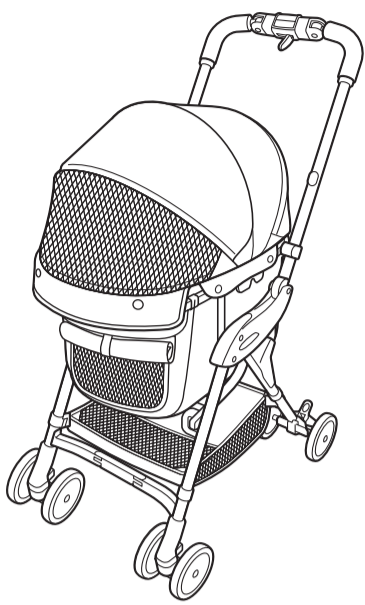


Pet Stroller

milimili EG / milimili EG Long / milimili EG Long D

Instruction Manual



Read this Instruction Manual carefully before using the product, and follow its guidelines for use.

- Store this manual with great care.
- When giving this product to someone else, be sure to provide this manual along with the product.
- This product is a pet cart made specifically for a large dog.
- Suitable duration for continuous use: 1 hour or less.
- For milimili EG model, the product can accommodate: 2 pets or less, total weight of 12 kg or less.
- For milimili EG long model, the product can accommodate: 2 pets or less, total weight of 15 kg or less.
- Consider the safety of your dog and your surroundings at all times while using the product, abide by public rules and use the product correctly.

* Illustrations provided in this manual are intended for better understanding of product usage, and may differ slightly from the actual product.

Notes for Safe Use

- This section contains warnings and precautions that must be properly understood in order to use the product. These are intended to ensure that the product is used correctly and safely, and to prevent danger and harm.
- Ignoring details described in this manual may result in serious harm to the pet and the user. Read the manual carefully before use.
- Precautions indicated in this manual are categorized into two classifications of "Warning" and "Caution", depending on the scale, extent and urgency of danger and harm. These categories are based on anticipated dangers that may occur or physical harm that may be incurred by the pet or the user if the product is not handled properly.

Indications	Indication details
Warning	Improper handling of the product can potentially lead to danger of death or serious injury of the pet or the user.
Caution	Improper handling of the product can potentially lead to physical injury of the pet or the user, as well as property damage.
	These are intended to prompt the user to have awareness about details of warning/caution.
	These are intended to inform the user that the action is prohibited.
Tip	Supplementary explanation

Standard service life of the pet cart

The "standard service life of the pet cart" is "5 years after purchase of the new product". When the standard service life has elapsed, the product may no longer be able to provide original performance due to deterioration of materials by aging, and that can lead to danger. Do not use the product under these conditions to prevent any unforeseen situation.

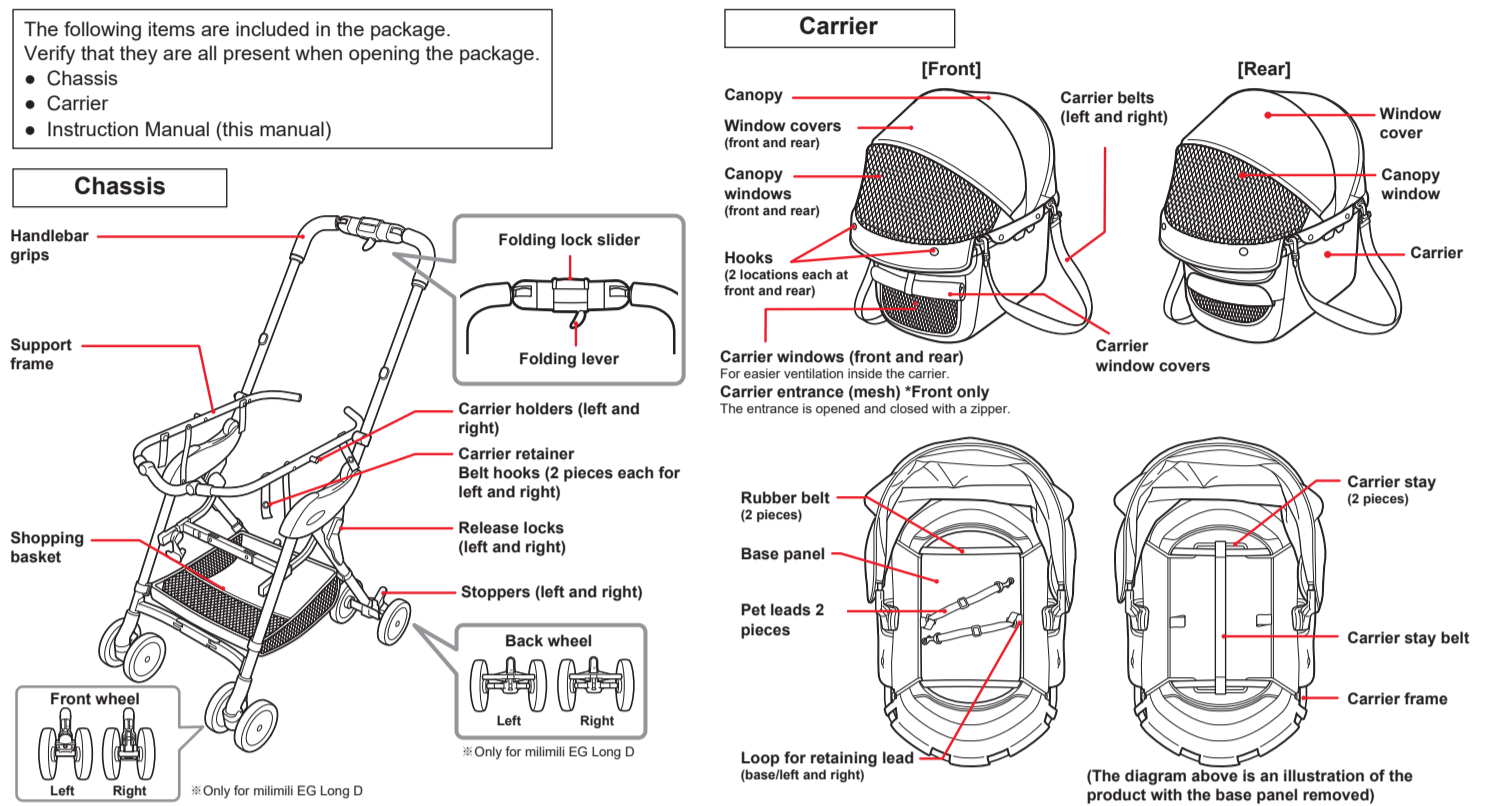
- Be sure to store the receipt (proof of purchase) issued by the retailer, together with the Instruction Manual, and to record the date of purchase of your product.
- The product may malfunction depending on how it is used, the environment in which it is used and the storage conditions, even within the standard service life, and thus this period does not represent any quality guarantee of the product. Charges apply to any repairs performed after the warranty period, which is "one year from date of purchase".
- Repairs on products for which the standard service life has elapsed are not provided, due to safety concerns for the product as a whole.
- Refrain from reusing any product with unknown history of use.

*Specifications of the product may be changed without notice, for the purpose of product improvement, etc.

Combi Hong Kong Limited

Manufacturer : Combi Hong Kong Limited
Room 1003, HK Pacific Centre, 28 Harkow Road, Tsim Sha Tsui, Kowloon
TEL (852) 2366 2892 FAX: (852) 2724 0774

Names of parts



Daily care and cleaning

Washing of sewn products

- Washing carrier component cover, base panel cover and shopping basket
- Do not use cold or lukewarm water and wash by hand.
- Do not rub roughly when washing by hand.
- Ordinary washing detergent may be used, but bleach or any detergent that contains bleach must not be used. Read the precautions of the detergent used carefully also.
- Do not leave parts soaking over any extended period of time as it may cause the color to fade, and finish washing the parts quickly.
- Rinse thoroughly, lightly wring out water, restore shape, and dry in the shade.
- Do not use a dryer and do not dry clean.
- Washing the canopy, pet leads, carrier belts and carrier stay belts
- Do not soak the canopy, special leads, carrier belts and carrier stay belts in liquid but instead wipe off any contamination with a brush or sponge soaked with cold or lukewarm water and detergent.
- Once any contamination is removed with detergent, use a piece of cloth or sponge soaked with water to wipe off a few times to ensure that no detergent remains.
- Use a dry cloth to wipe off any liquid and dry in shade.

Caution

- Be careful handling plastic parts of the canopy or shopping basket to prevent injury.
- Carrier component stay belts cannot be removed.
- Slight discoloration may occur due to the characteristics of the product.
- Neutral detergent is recommended for washing. Do not use any detergent that contains any fluorescent material or bleach, as they may cause skin irritation or rash.
- Mold may develop depending on how the product is stored. Wash often to maintain product cleanliness.

Cleaning the chassis

Caution

- Do not use anything other than neutral detergent to clean the chassis. Using anything else may change or deteriorate the quality of parts.
- Use a piece of cloth soaked with water and properly wringed to wipe off contamination on wheels, plastic parts and metal parts. When there is a severe contamination, wipe with a piece of cloth with diluted neutral detergent, then wipe off with a piece of cloth soaked with water and wringed properly to ensure no detergent remains.

Lubricating the cart

Caution

- Always lubricate with a small amount of lubricant (silicon type) when a squeaking noise is heard or when the movement becomes less responsive (suggesting some lubricating may be required). Make sure all dirt and contamination on lubricated parts are wiped off prior to lubricating. Applying an excessive amount of lubricant can cause adhesion of dust and may deteriorate the functionality of the product.
- Do not lubricate any of the parts shown on the right. Doing so can potentially cause malfunction.

Manual operation component

Rotating parts of casters

Near release locks

Storage method

Avoid direct sunlight, and store the product in a location that is low in humidity and protected from rain or dust. Using a cover is recommended for storing the product outdoors.

- Caution**
- Do not store the product in a location that can reach high temperatures, such as near a fire or inside a car during summer.
 - Do not store the product with any load on the chassis or carrier component, or with any load on the product. Doing so may cause the product to malfunction or deform.
 - Verify that there are no loose fastenings or tightened parts before using the product. In the event any loose part is found, do not use the product and contact our local service center. Failure to do so may lead to a serious accident.
 - Using the product continuously over an extended time can become a burden to the pet.
 - Take a break every hour or less.
 - Do not use the product on a bus. The product has not been designed for use on a bus. Using the product on a bus can lead to tumbling and other such unexpected accidents when the bus takes a sharp corner or when brakes are applied suddenly.
 - The product has not been designed for use on a train. Any liabilities arising from riding a train with this product will be entirely on the user and the railroad company should be contacted before getting on board a train with this product to confirm that it may be used on a train. Using the product on a train can lead to tumbling when the train takes a sharp corner or when brakes are applied suddenly. Always engage stoppers and take sufficient care when using the product.

Information on product disposal

Follow instructions of local governments when disposing of and discarding the product.

Warning Improper handling of the product may lead to serious accident.

- The following may be detrimental to the health of your pet.**

 - Stop using the product immediately when any abnormality is detected with your pet.
 - The temperature inside the carrier component becomes high during days of clear skies throughout the year. Avoid using the product for any extended time on such days.
 - Do not leave the pet unattended in the product at any location where the temperature can be expected to get high, such as inside a car or near a heat source.

The following may cause your pet to fall off or the pet cart to collapse.

 - Use the product only after verifying that the release lock is securely latched (ensuring that the pet cart is properly unfolded).
 - Do not use the product on stairs, on escalators, in areas with significant bumps, or on poor surfaces such as sand pits, beaches, river banks, muddy areas and the like.
 - Always have the product properly repaired when any damage or malfunction occurs. Contact our Consumer Plaza for details.
 - Do not lift the pet cart with the pet inside.

The following may cause the pet cart to tumble and your pet to fall out.

 - Do not load articles or hang articles anywhere on the cart other than the basket on the product when a pet is in the cart. The cart may become unstable and tumble, particularly when bags are hanging on the handlebar.
 - Do not tie the lead of the pet on the handlebar or the like. The pet cart may tumble.
 - Do not load three or more pets at the same time on the pet cart, or place a pet on any portion of the product other than the carrier component.
 - Do not lean on the handlebar or hang any articles on the handlebar or place an excessive load on the handlebar.

The following may cause your pet to fall off.

 - Always use the pet lead. Also ensure that it is securely connected before using the product.
 - Pets tend to move in unexpected ways. Always keep your eyes on your pet at all times, and take sufficient care when using the product.

The following may cause the pet cart to move or tumble.

 - Do not overestimate the reliability of the stopper. The pet cart may move or tumble even with the stoppers engaged.
 - Do not leave the pet cart unattended while your pet is in it.
 - Do not leave the pet cart unattended at dangerous locations such as on a slope or on pedestrian path next to the roadway, even when there is no pet inside.

The following may cause your pet to sustain injury.

 - Keep people (particularly young children) and your pet away when unfolding and folding the chassis or detaching and attaching the carrier component.
 - Lack of care may cause injury from fingers or hands being trapped in the cart's components.
 - Pay attention to your pet when closing and opening the canopy. Improper care when closing or opening the canopy may result in pets being pinched inside the cart.

Caution Improper handling of the product may cause injury or damage to the pet cart.

- Do not use the product for any purpose other than for carrying the pet.
- Always adjust the pet lead to the appropriate length.
- Failure to do so may lead to unexpected accident.
- Do not have an adult sit on or apply an excessive load on the pet cart. Doing so may cause product damage and malfunction.
- Do not run when pushing the pet cart. Running can cause the movement ability of the casters to deteriorate, which can lead to accidents such as tumbling.
- Do not use any parts other than those installed on the product at shipping, or parts other than those designated for use with the product. Doing so may lead to unexpected damage or accident.
- Do not install any board or other platform to place a child on the chassis. Doing so may cause damage to the chassis.
- Do not attempt to travel over significant bumps, as this can strongly impact the front wheels and cause the pet cart to tumble. This can also cause damage and malfunction to the product. When going over a bump, such as a curb, be sure to slow down to do so even when it is just a slight bump, then place a foot on the step or rear leg stay, pull the handlebar in, and always lift the front wheels to go over.
- Do not load articles totaling more than 3 kg in total in the shopping basket. Doing so may cause product damage.
- Lift the front wheel to move over grooves on the surface of the road, such as railroad tracks or drains, to ensure that the wheels are not caught in grooves.
- Do not use the product on slippery surfaces, such as when there is snow buildup or when the surface is frozen. This may cause not only the pet cart, but also the user, to slip and tumble.
- Do not use the product in strong winds.
- The pet cart may start moving on its own or tumble.
- Do not use the product when there is lightning. Lightning strike may occur.
- Do not leave the product unattended, or store the product at a location that can reach high temperatures, such as near a fire or inside a car during summer. Doing so may cause the product to malfunction or deform.
- Do not store the product with any load on the chassis or carrier component, or in any condition under which pressure may be applied to the product. Doing so may cause the product to malfunction or deform.
- Always engage the stoppers when storing the chassis standing. Failing to do so may cause the chassis to move and tumble.
- Do not modify or perform improper repairs to the product. Doing so may lead to unexpected accident.
- Verify that there are no loose fastenings or tightened parts before using the product. In the event any loose part is found, do not use the product and contact our local service center. Failure to do so may lead to a serious accident.
- Using the product continuously over an extended time can become a burden to the pet.
- Take a break every hour or less.
- Do not use the product on a bus. The product has not been designed for use on a bus. Using the product on a bus can lead to tumbling and other such unexpected accidents when the bus takes a sharp corner or when brakes are applied suddenly.
- The product has not been designed for use on a train. Any liabilities arising from riding a train with this product will be entirely on the user and the railroad company should be contacted before getting on board a train with this product to confirm that it may be used on a train. Using the product on a train can lead to tumbling when the train takes a sharp corner or when brakes are applied suddenly. Always engage stoppers and take sufficient care when using the product.

Inspection and after sale services

- Damage to the chassis, anomalies, loosening of fastening and tightening parts, wear and tear of covers and belts that occur while using the product, as well as when replacement or repair of a part is deemed necessary, stop using the product immediately and contact our Consumer Plaza. Continuing to use the product under such conditions may lead to a serious accident. Take a look at the sticker that is attached on the rear side of the rear leg, to notify us of the product name and lot number when contacting us.
- Check the product from time to time to verify that there are no loose fastening or tightening parts, no defective or missing parts and no malfunction.
- Do not modify or perform improper repair on the product. Doing so may lead to unexpected accident.
- When parts are removed for care and cleaning, be sure to read this manual for instructions on correct installation. Leaving a part removed can lead to unexpected accident.
- Please note that an identical part is not available for repairs and parts sales for this product and in such instances, colors and specifications may be slightly different. There will be no problem with their use on the product.

Unfolding chassis

The product may be folded in two stages. The product in the packed condition is referred to as "triple folded," while the arrangement described in Step 2 is referred to as "double folded."

- 1. Lift and disengage the automatic hook.**
- 2. Slide the folding lock slider in the direction of the arrow to unlatch the folding lock.**
- 3. Grab handlebar grips with both hands, and unfold the folded chassis.**
- 4. Bring back the folding lock slider to the original position to latch the folding lock.** The folding lever is locked.

Warning

- Latched
- Unlatched
- Release lock down with no gap.
- Release lock up with gap.
- Always latch the folding lock slider. Failure to do so may result in unintentional sudden folding of the product when the folding lever is grabbed.

Caution

- Gripping the folding lever while lifting the chassis may unlatch the lock and cause product damage.

Tip

- The arrangement shown in the figure to the right is referred to as the double fold.
- If the chassis is lifted, it may not open fully even when the folding lever is gripped. Start the operation with the chassis still on the ground by gripping the folding lever.

Installing and removing front and rear wheels

There are front, rear, right and left wheel. Only the rear wheel is removed in the packing. To differentiate left and right wheel, please refer to "Names of parts".

When installing or removing, unfold the pet cart first.

How to install

1. Open the pet cart as shown in the figure on the right.
2. Before installing, check the orientation of the casters and the right and left sides of the wheels.
3. Push the pin at the tip of the rear leg frame, align the insertion hole of the caster with the pin, and insert each until you hear a "click" sound.
4. After inserting, pull 2-3 times to confirm that the wheel does not come off.

How to remove

1. Keep the pet cart open.
2. Push the pins together with a thin stick to remove the wheel.

Caution

- Keep people (particularly young children) and your pet away when unfolding and folding the chassis or detaching and attaching the carrier component.
- Do not ride any pets until all wheels are securely installed. Otherwise, the pet cart may tumble.
- When removing the wheels, remove pets and luggage from the pet cart and place them in a safe place. There is a risk that the pet cart may tumble or the pet or luggage may fall out.
- If the wheels do not rotate smoothly or the casters make a strange noise, there may be something stuck. Remove the wheels and check that no sand or stones are caught.
- The wheel mounting part is an important part related to the stopper function and wheel rotation. Do not handle it roughly, such as hitting it, or put dust or foreign objects in it.
- Be careful not to injure your hands or fingers when installing or removing.
- When installing the wheels, be sure to check the left and right sides of the wheels. Incorrect installation may damage the pet cart. Also, it may cause your pet to fall off.
- Do not store the product with wheels or other parts removed.

This section explains "How to attach/remove the rear wheel", but if the front wheel is removed, the procedure is the same as "How to attach/remove the rear wheel".

Tip

- There are right and left wheels. To distinguish the right and left sides of each part according to the direction when viewed from the front of the pet cart.

Caution

- Do not load articles more than 3 kg in total. Doing so may cause product damage.
- Do not place any articles with sharp edges or objects of large size that do not fit inside the shopping basket. Doing so may cause articles to fall off and deform or tear the shopping basket.
- Take all loaded articles out when folding the chassis. Failure to do so can cause damage to the chassis or crush loaded articles.

Installing shopping basket

1. Wrap the retainer belts on the front and rear legs on both left and right sides of the shopping basket.
2. Insert and secure the U-hook to install.

Once installed, pull on it to verify that it is properly secured.

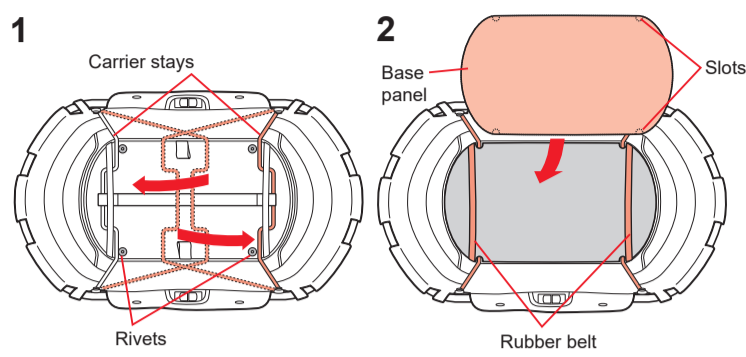
Caution

- Loading articles
- Load articles with their weight distributed for balance on the bottom of the shopping basket as much as possible.

Unfolding and folding the carrier

Unfolding

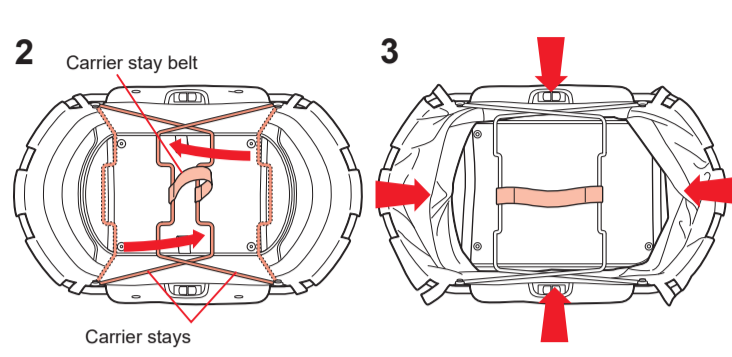
1. **Spread the carrier stays (2 pieces).**
Completely stretch the carrier stay belts over the rivets at the 4 locations on the base.
2. **Guide the rubber belt under the base panel, align the positions of the slots on the base panel and place the base panel inside.**
Face the cushioned side of the base panel up.



- Pay careful attention to prevent fingers and hands getting caught when spreading and retracting the carrier stays.
- The base panel must always be used. Failure to do so may lead to unexpected accident.
- Always place the pet lead above the base panel.
- Always remove the pet lead when not in use. Failure to do so may lead to unexpected accident.

Folding

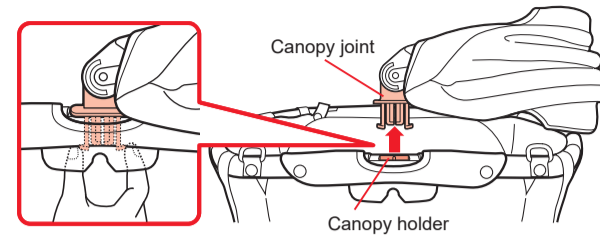
1. **Remove the base panel.**
2. **Retract the carrier stays (2 pieces) while lifting the carrier component stay belt.**
3. **Fold the carrier.**



Installing, removing and using the canopy

Removing

1. **Remove the front and rear canopy hooks (2 locations each).** (Refer to "Usage" to the right)
2. **Pinch tabs at the bottom end of each canopy joint, and pull the canopy joints out of the canopy holder.**



Installing

Securely insert canopy joints into canopy holders.

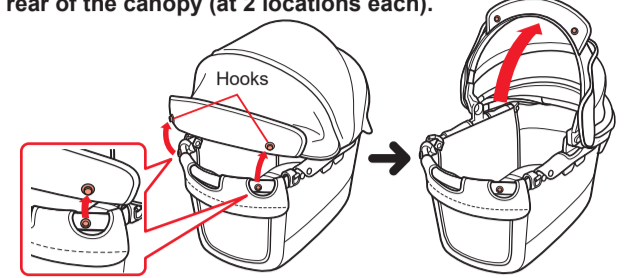
- Keep people (particularly young children) and pets away when installing the canopy. Lack of care may cause injury from getting a finger or hand trapped.

• The canopy may be oriented to the front or rear of the carrier.

Usage

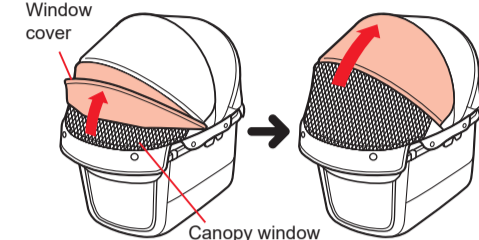
Opening: Remove hooks at the front or rear of the canopy (at 2 locations each) and open the canopy.

Closing: Close the canopy, then secure it in place with hooks at the front and rear of the canopy (at 2 locations each).



Using canopy window

Fold up the window cover at the front and rear of the canopy to open the canopy window.

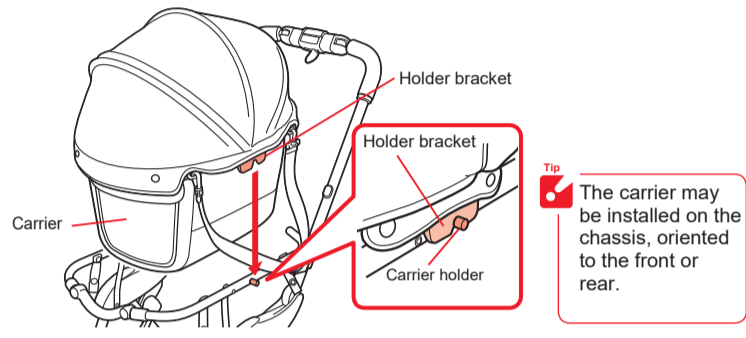


Always close the canopy when using the product and ensure it is fastened. Failure to do so may lead to unexpected accident, such as the pet falling off.

Opening the canopy window or carrier window makes it easier to ventilate inside.

Installing the carrier on the chassis

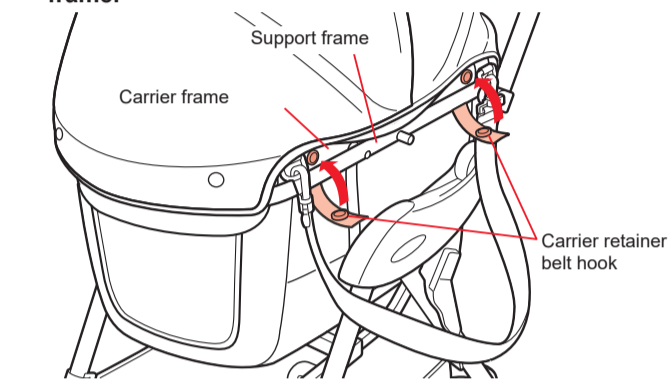
1. **Align the carrier to the support frame of the carrier holder, and lower the carrier.**



Always engage stoppers when installing the carrier. Failure to do so may lead to unexpected accident, such as the pet cart moving.

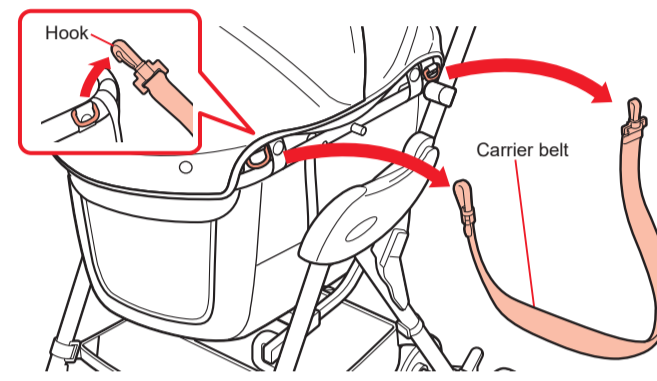
Pay attention to prevent fingers and hands getting caught in the gap between the carrier and the support frame.

2. **Secure the carrier retainer belt hooks (at 2 locations each on left and right) of the support frame onto the carrier frame.**



Always secure the carrier retainer belt hooks when using the product as a pet cart. Failure to do so may lead to unexpected accident, such as the carrier falling off.

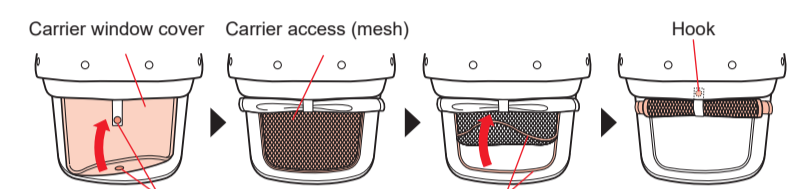
3. **Remove the hooks of the carrier belts (2 locations each at left and right) and remove the carrier belts.**



Always remove carrier belts when using the product as a pet cart. Failure to do so may lead to unexpected accident.

Accessing the carrier

Open: Fold up the carrier window cover, then unzip the faster on the carrier access (mesh), then secure it together with the carrier window cover by engaging hooks.



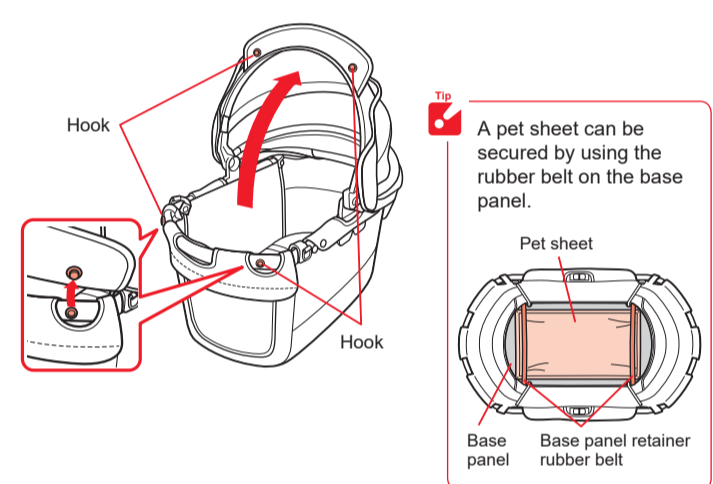
Close: Disengage hooks and close the fastener of the carrier access (mesh) and return the carrier window cover to the original condition.

- Depending on the size or weight of the pet (rough standard for weight is 7 kg) it may be difficult to load and unload the pet.
- Remove the carrier from the chassis and place it on the floor to open and close the carrier window.
- Do not open and close the carrier window when the is installed on the chassis. Doing so may cause the pet to fall off the product.

Opening the carrier window makes it easier to ventilate inside the carrier.

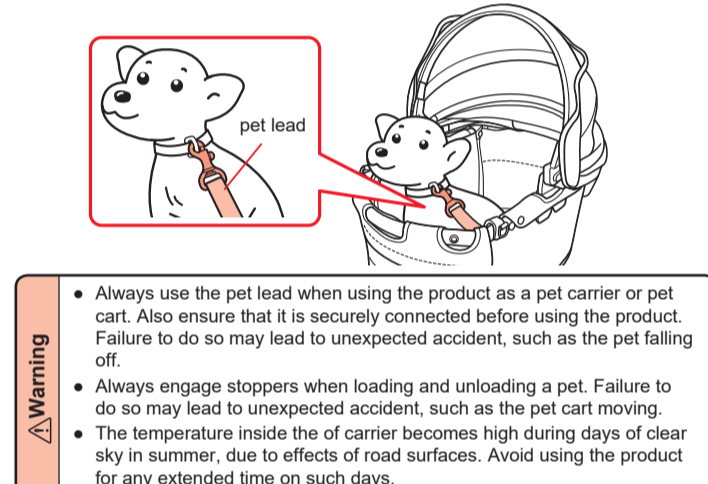
Loading and unloading your pet

1. **Unfasten and open the canopy.**



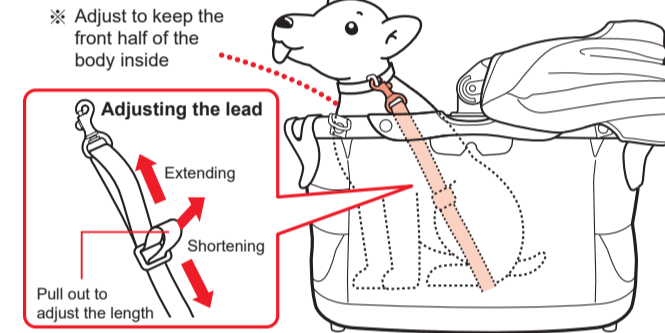
A pet sheet can be secured by using the rubber belt on the base panel.

2. **Load the pet on the carrier, then attach the pet lead.**



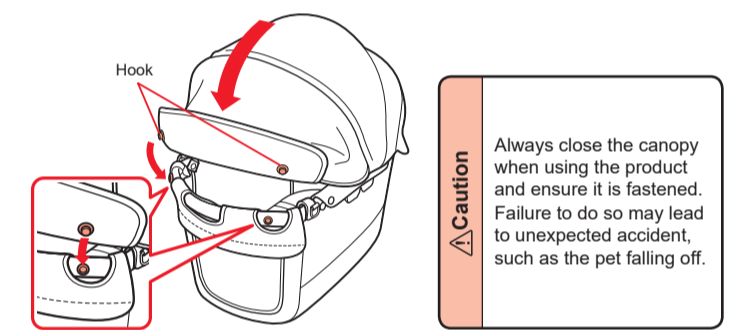
- Always use the pet lead when using the product as a pet carrier or pet cart. Also ensure that it is securely connected before using the product. Failure to do so may lead to unexpected accident, such as the pet falling off.
- Always engage stoppers when loading and unloading a pet. Failure to do so may lead to unexpected accident, such as the pet cart moving.
- The temperature inside the of carrier becomes high during days of clear sky in summer, due to effects of road surfaces. Avoid using the product for any extended time on such days.

3. **Adjust the length of the pet lead to ensure that the front half of the pet's body does not lean out of the carrier.**



Always adjust the special lead to appropriate length. Failure to do so may lead to unexpected accident.

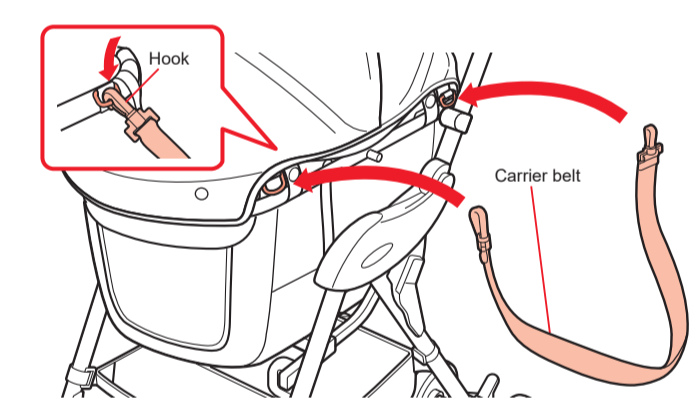
4. **Close the canopy.**



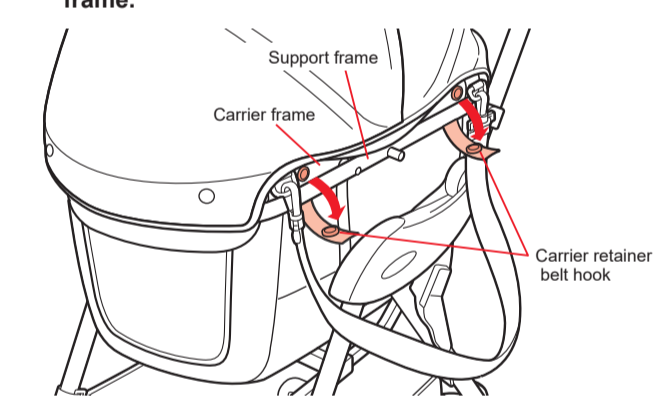
Always close the canopy when using the product and ensure it is fastened. Failure to do so may lead to unexpected accident, such as the pet falling off.

Removing the carrier

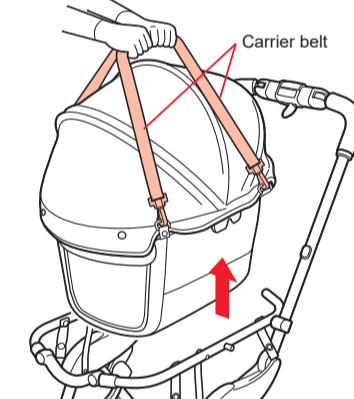
1. **Secure the hooks of the carrier belts (2 locations each at left and right) and install the carrier belts.**



2. **Remove the carrier retainer belt hooks (at 2 locations each on left and right) of the support frame from the carrier frame.**



3. **Hold onto the carrier belts and lift the carrier to remove it.**



Always engage the stoppers when removing the carrier. Failure to do so may lead to unexpected accident, such as the pet cart moving.

4. **Securely hold on the carrier belts (2 pieces) with both hands to lift.**



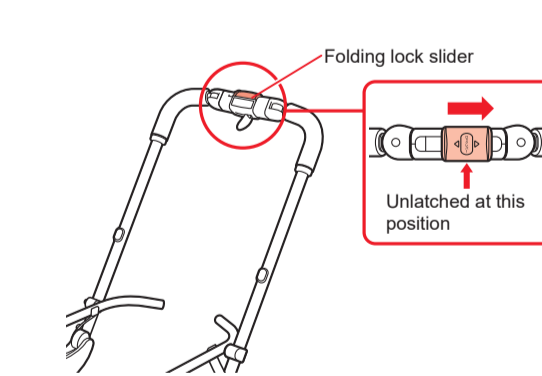
- Always hold the carrier with both hands to carry it. Failure to do so may lead to unexpected accident, such as the carrier falling off.
- Always close the canopy when using the product as a pet carrier or a pet cart. Also verify to ensure that the hooks (at 4 locations) are securely engaged.
- Failure to do so may lead to unexpected accident, such as the pet falling off.
- Do not place the carrier on a table or a chair from which it can fall off, or on stairs or locations with bumps or inclines, or on slippery surfaces such as tiles. Doing so can cause the carrier to fall or tumble.

Folding chassis

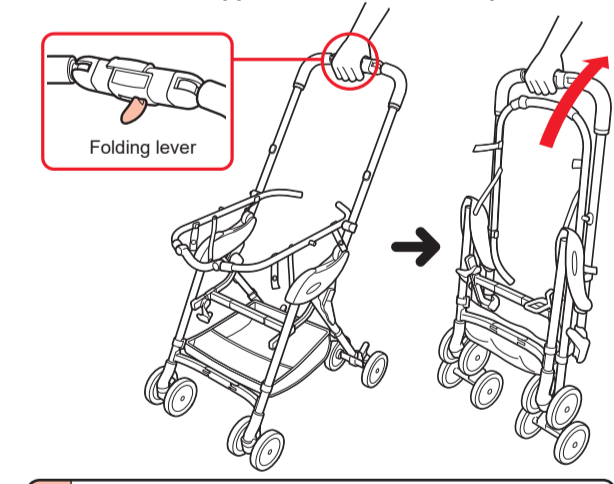
Keep people (particularly young children) and pets away when unfolding and folding the chassis or detaching and attaching the carrier. Lack of care may cause injury from getting a finger or hand trapped.

The pet cart can be folded in both a double fold or a triple fold.

1. **Remove the carrier (refer to "Removing carrier" for details).**
2. **Slide the folding lock slider in the direction of the arrow to unlatch the folding lock.**

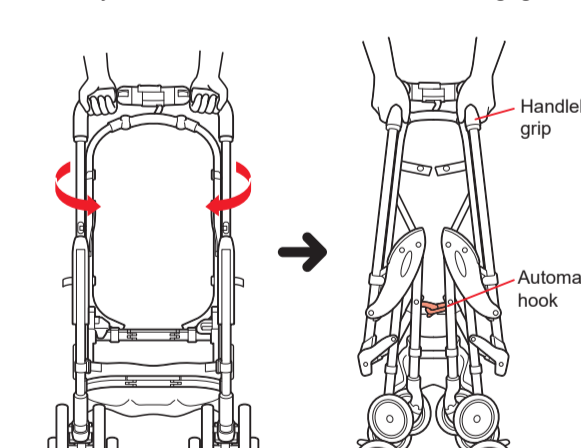


3. **Keep gripping the folding lever and fold the product to the direction shown with the arrow, using the rear wheels as the support, to double fold the product.**

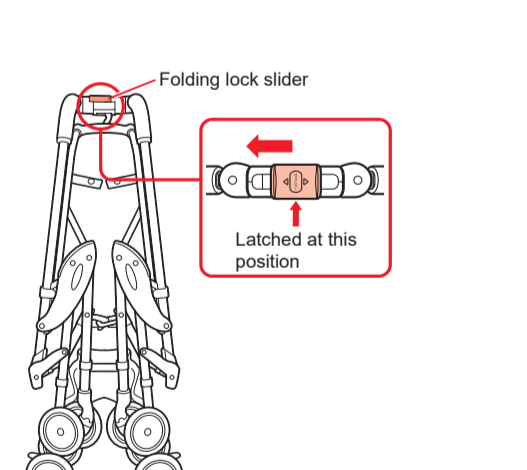


The chassis does not stand on its own when folded in a double fold. Fold it in a triple fold to enable the chassis to stand on its own.

4. **Release the folding lever and grab the handlebar grips on the left and right in reverse and fold inward to fold the product in a triple fold.**
Always ensure that the automatic hook is engaged.



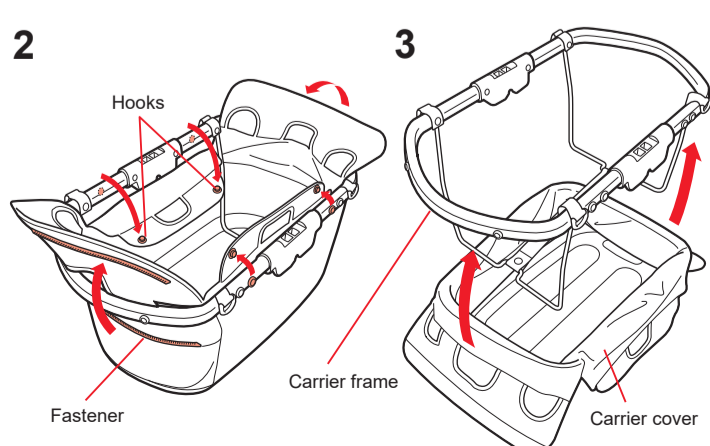
5. **Bring back the folding lock slider to the original position to latch the folding lock.**
The folding lever is locked.



Installing and removing parts

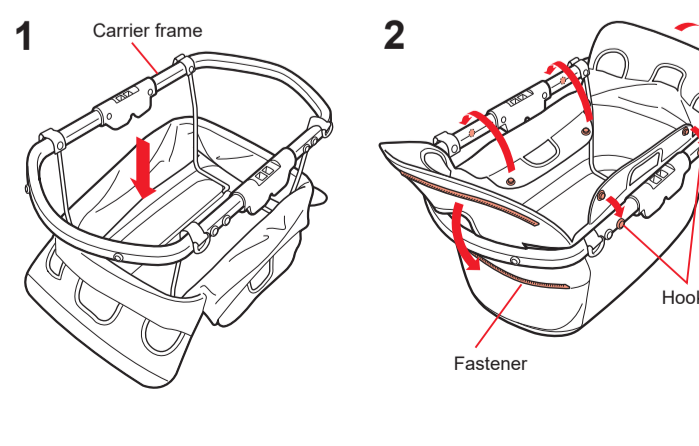
Removing the carrier cover

1. **Remove the canopy (refer to "Removing the canopy" for details).**
2. **Unzip fasteners (at 2 locations) and disengage hooks (at 4 locations).**
3. **Remove the carrier cover from the carrier frame.**



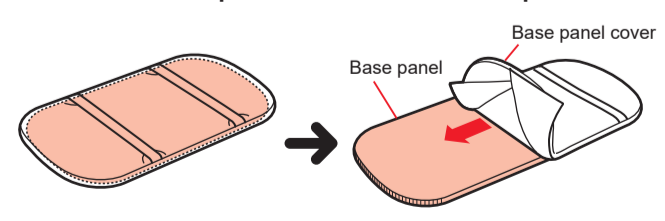
Installing the carrier cover

1. **Spread the carrier stay and insert the carrier frame in the carrier cover.**
2. **Secure hooks of the carrier cover (at 4 locations) and zip up the fasteners (at 2 locations).**

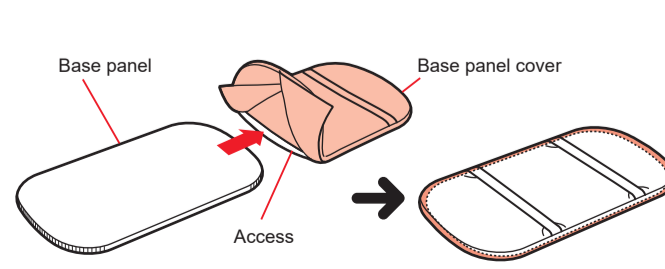


Removing and installing base panel cover

Remove the base panel cover from the base panel.

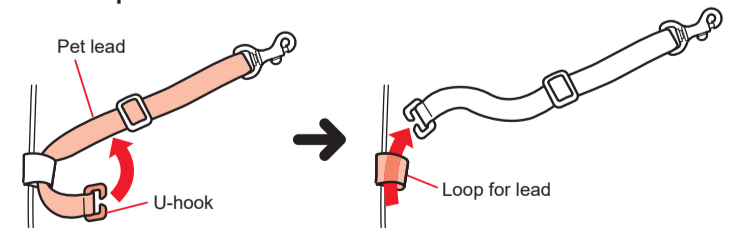


Install the base panel cover from the base panel.



Removing and installing the pet lead

Disengage the U-hook and pull out the pet lead from the lead loops on the carrier base.



Guide the pet lead through the loop for lead on the bottom of the carrier, then engage the U-hook to secure.

