

Combi

Combi Child Car Seat CrossAge 360 SL Plus



For more information, you can scan this QR code.

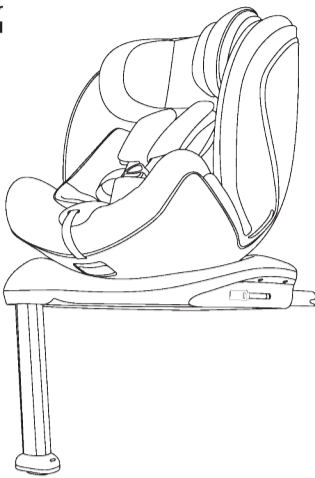
User Manual

- For the safety of the child, please read this user manual carefully before use and use the child car seat properly.
- Store this user manual in the storage pocket of the base cover.

This product is certified of UN R129/04 i-Size and i-Size booster car seat.

This product can be installed to vehicle seats approved for installation of ISOFIX child car seats. However, this does not mean that this child car seat can be installed to any vehicle seat equipped with ISOFIX anchors (bars). When using the child car seat, always check the vehicle compliance and check the user manual of the vehicle to see if it is compatible with ISOFIX size class.

- [Child seat mode]
- Applicable child: Height of 40cm to 105cm and weight of up to 18kg.
 - Applicable for both forward installation and rearward installation.
- [Junior seat mode]
- Applicable child: Height of 100cm to 150cm and weight of up to 36kg.
 - This mode is only suitable for vehicles equipped with 3-point seatbelts approved under UN R16 standard or other equivalent standards.



⚠ DANGER

Do not use forward facing before the child's age exceeds 15 months and before the child's height exceeds 76cm.

⚠ CAUTION

To avoid causing stress to the child, avoid continuous long-time usage and give the child a break from the child car seat about once every hour.

1.3 Use conditions

Mode	Child seat mode	Junior seat mode
	Rearward Facing (installation facing rearward relative to driving direction)	Forward facing (installation facing forward relative to driving direction)
Use status		
Applicable child height	40cm~105cm	76cm~105cm
Reclining Angle	Only level 1 is available	Levels 1 to 4 are available
Adjusting the baby shoulder belt position	Adjust the baby shoulder belt so that it is at or slightly below the child's shoulder.	Adjust the head guard height so that the shoulder area belt guide is slightly above the child's shoulder.
Using the head cushion and body cushion	When the baby is with a height of 40 cm to 75 cm, be sure to use head cushion and body cushion at the same time. Be sure to attach the inner cushion correctly and make it fit the child's body completely before use.	Do not use.
How to restrain the child	• 5 point baby belt × Vehicle seatbelt	• 5 point baby belt × Vehicle seatbelt
How to fasten the child car seat in the vehicle	• ISOFIX • Support leg × Vehicle seatbelt	• ISOFIX • Support leg × Vehicle seatbelt

⚠ DANGER

Improper handling will result in imminent risk of death or serious injury.

- Do not seat a child who does not satisfy the use conditions, or install the child car seat to an inapplicable vehicle seat.
- Do not install the child car seat to a vehicle seat equipped with a front airbag. In case of collision, the deploying air bag will strongly impact the child seat, which is dangerous to the child. ...Installation is possible to a vehicle seat with only a side airbag.
- Do not install the child car seat by a method other than described in this user manual and indicated on the main body.
- Do not allow the child to stand, crouch or kneel on the child car seat.
- In the child seat mode, this product cannot be fastened with a vehicle seatbelt.
- When you seat your child in the junior seat mode, make sure that the vehicle seatbelt insert tongue is properly inserted into the vehicle buckle and will not come out.

⚠ Evacuation in case of emergency

- In case of accident or other emergency, an accompanying adult should press the buckle button to release the baby belt (the vehicle seatbelt in the junior seat mode) and evacuate the child from the vehicle immediately.

⚠ WARNING

Improper handling will result in imminent risk of death or serious injury.

- Always keep the baby belt fitting snugly. A loose belt may become wrapped around the child's neck and result in suffocation.
- The child car seat may suffer structural damage in the event of collision or even if it is dropped one time or falls from a high level. In this case, immediately stop using the child car seat even if no damage is visible.
- Do not leave the child alone in the vehicle. On days with strong sunlight, the temperature inside the vehicle may become high and the child may become dehydrated. It may also cause unexpected accidents. A child using the child car seat must be accompanied by an adult.
- In the child mode, if the buckle becomes jammed with dirt, food crumbs or other objects and cannot be fastened securely or is too stiff to release easily, contact Combi's Customer Service Center for repair.
- In the child seat mode, if the baby belt is damaged, contact Combi's Customer Service Center for repair.
- Always fasten the adjustment belt to the seat cover when using the child car seat. A loose belt may become wrapped around the child's neck and result in suffocation.
- Do not modify or improperly repair the child car seat, or operate the child car seat in the way other than that recorded in this instruction manual.
- Keep the child car fastened with the ISOFIX connector and support leg (in the child seat mode) or the vehicle seatbelt (in the junior seat mode) even when the child is not sitting. Otherwise, the child car seat may roll inside the vehicle, interfering with driving in case of sudden braking.
- Do not install the child car seat to a vehicle seat where it may obstruct the exit of other passengers from the vehicle in an emergency.
- In the child seat mode, the child may press the buckle button. Make sure that the insert tongue is not out of the buckle. If it comes out, the baby belt will not work properly and may become wrapped around the child's neck.
- In the Junior seat mode, do not install the child car seat in a seat with the vehicle seatbelt damaged in any way.
- In the Junior seat mode, when using a vehicle seatbelt with a child seat fastening function, do not enable fastening. The belt will be too tight around the child and their chest will be compressed.
- Please replace the child safety seat after severe accident.

1. Before Use

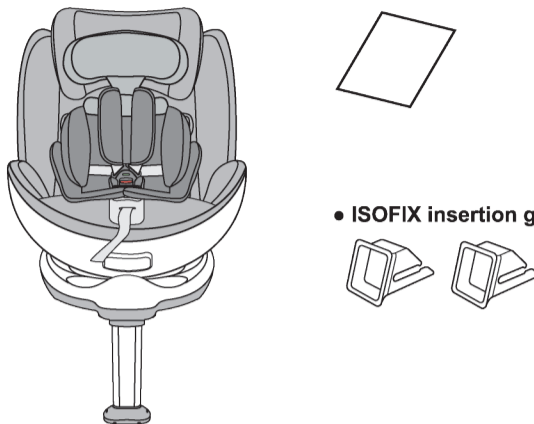
<About using second-hand child car seats>

- Never use a child car seat with an unclear usage history.
- Never use a child car seat if it has cracks, large scratches or loose fasteners.

The child car seat is designed to reduce injury to child in case of traffic accident, etc. However, there is no guarantee that the child car seat can completely protect the child from injury. A child using the child car seat must be accompanied by an adult.

1.1 Package contents

- Main body
- User manual (this manual)
- ISOFIX insertion guide



Combi Corporation

191936050_776

Applicable Vehicle Seats

This child car seat can be installed to vehicle seats approved for installation of ISOFIX child car seats. However, this does not mean that the child car seat can be installed to any vehicle equipped with ISOFIX anchors (bars). When using the child car seat, always check the vehicle compatibility chart and check the user manual of the vehicle to make sure the ISOFIX size classes noted below are supported.

ISOFIX size classes of this product

Use condition	Anchors
Rearward Facing	ISO/R2
Forward facing	ISO/F2X

ISOFIX anchoring system

ISOFIX anchors are metal fixtures (bars) provided between the vehicle backrest and seat in order to install an ISOFIX child car seat. The name and position may differ according to the vehicle, so always check the user manual of the vehicle.



Junior seat mode (Height: 100cm~150cm) i-Size Booster Seat

This is an i-Size Booster seat Enhanced Child Restraint System. It is approved according to UN Regulation No.129, for use primarily in "i-Size seating positions" as indicated by vehicle manufacturers in the vehicle user's manual.

- If in doubt, please consult the Enhanced Child Restraint System manufacture or the retailer.
- When the child seat used as non-integral class, do not use support leg when your child's status between 100-150cm.
 - The child restraint may not fit in all approved vehicles when used in stature range above 135cm.

⚠ CAUTION

Improper handling may result in injury or damage to property.

- Make sure the child car seat does not get jammed between the vehicle doors or other movable parts.
- Exposing the child car seat to direct sunlight may cause the main body, insert tongue and other parts to become hot and burn the child. Touch each part and check that it is not too hot before seating the child.
- If you have any unfastened objects in the vehicle, be careful as they may hit the child in the event of any sudden braking or a collision. Please properly place the luggage and items that are liable to be damaged in collision.
- Depending on the shape and surface material (leather, etc.) of the vehicle seat, scratches or marks may remain on the vehicle seat after installation.
- If you use the child car seat as a normal chair, the child sitting may fall off and be injured. Only use the child car seat as described in this user manual.
- Do not use the child car seat with the seat cover and other sewn parts or the urethane and other cushioning removed. Also do not replace these parts with parts not specifically authorized by Combi for this product. (This may negatively affect safety performance in the event of collision.)
- Users should be especially careful when fastening or adjusting the child car seat to prevent fingernails or artificial nails from becoming jammed in gaps or moving parts.
- Do not operate or adjust the child car seat while driving. Also, make sure that other children on board do not touch the child car seat.
- Do not install, remove or carry the child car seat with a child on it. Do not carry the child car seat with the baby belt.
- Do not expose the child car seat to wind or rain.
- Product seat cushion contains magnetic, do not use this product if children have a pacemaker, or artificial lung, or wear an ECG, or any other internal medical device.
- Do not get close to articles which are easily damaged by magnet.

Inapplicable Vehicle Seats

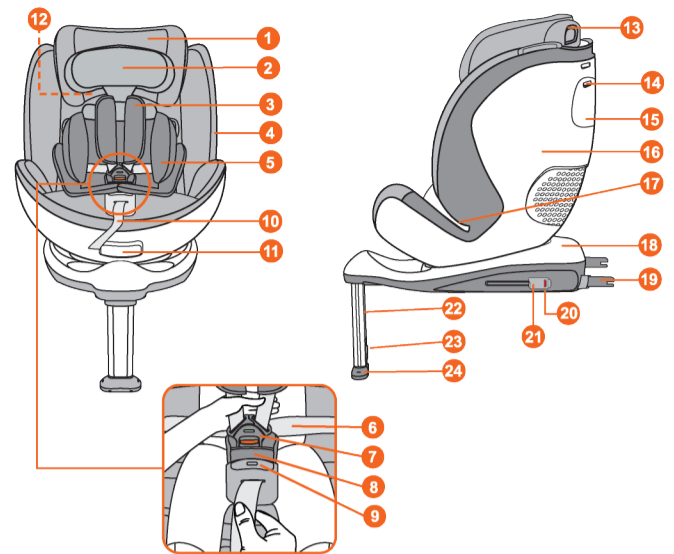
Do not install the child car seat to a vehicle seat that meets any of the following conditions. Do not use the child car seat if it cannot be secured firmly, even if none of the conditions noted below apply.

- Vehicle seat that is not equipped with ISOFIX anchors (bars).
- Vehicle seat facing backwards or sideways relative to driving direction.
- Vehicle seat equipped with a front airbag. ...Installation is possible to a vehicle seat with only a side airbag.
- Vehicle seat with a seat an extremely uneven surface that prevents stable installation.
- Vehicle seat where the supporting leg base rests on a vehicle seat slide rail or an underfloor storage space, etc.
- Vehicle seat with a seat surface too high or too low from the floor or with a floor shape that prevents the supporting leg from being installed properly.
- Extreme shaped bucket seat ...Vehicle seat that goes deep in the center of the seat base
- Vehicle seat with extremely protruding vehicle headrest ...Due to the shape of the vehicle headrest, it is not possible to recline the back of the seat or adjust the headrest of the child car seat.
- If the headrest of the vehicle seat can be removed, which enables reclining or adjusting the headrest, the child car seat can be attached to such a seat.
- Do not install it if the car seats or doors are movable. Only when used in the junior seat mode
- Vehicle seat that is not equipped with a vehicle seatbelt
- Vehicle seat with a 2-point seatbelt
- Vehicle seat with an extremely short vehicle seatbelt
- Vehicle seat with a passive seatbelt
- Passive seatbelt ...A device that automatically attaches the vehicle seatbelt when you sit in a vehicle seat and close the door. (Automatic seat belt)
- Vehicle seat with a vehicle seatbelt coming from the middle of the seat ...Vehicle seat where the seatbelt comes from a position before the waist belt guide of the child car seat.

1.2 Name of Parts

Check that all parts are present before use.

- Store the receipt (proof of purchase) together with this manual.
- This manual uses simplified illustrations to help users easily understand operation and handling, and there may be slight differences from the actual product.



- | | | |
|------------------------|--|---|
| ① Head guard | ⑧ Crotch belt cover | ⑮ Folding cap/User manual storage pocket (Inside) |
| ② Head cushion | ⑨ Baby belt adjustment button | ⑯ Seat base |
| ③ Shoulder belt cover | ⑩ Adjustment belt Position (insert tongue pieces can be fixed on the left and right magnets) | ⑰ Waist belt guide |
| ④ Insert Tongue Fixing | ⑪ Revolving release & reclining adjustment lever | ⑱ Base |
| ⑤ Body cushion | ⑫ Shoulder belt guide | ⑲ ISOFIX Connector |
| ⑥ Baby belt | ⑬ Head guard adjustment lever | ⑳ Indicator |
| ⑦ Buckle | ⑭ Folding cap button | ㉑ Connector adjustment lever |
| | | ㉒ Supporting leg |
| | | ㉓ Length adjustment button |
| | | ㉔ Supporting leg base |

Using Junior seat mode (Height: 100cm~150cm)

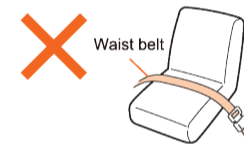
Depending on the type of seatbelt, the child car seat may not be able to be installed or may be installed differently. This mode is only suitable for vehicles equipped with a 3-point seatbelt approved under UN R16 standard or other equivalent standards.

⚠ DANGER

- Be sure to install the child car seat on a vehicle seat with a 3-point seatbelt.
- Never install the child car seat on a vehicle seat with a 2-point seatbelt. Installing the child car seat on such a vehicle seat may prevent the child car seat from functioning properly, which is dangerous to the child.

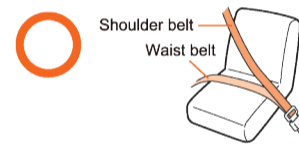
2-point seatbelt

As shown in the figure, a seatbelt that does not have a shoulder belt and supports the body at two points on the right and left of the waist belt.



3-point seatbelt

As shown in the figure, a seatbelt that supports the body at three points: the right and left sides of the waist belt and the shoulder belt.



Types and characteristics of seatbelts (how to distinguish them)	Precautions for installation
ELR Pull the seatbelt slowly to move it in and out freely, and pull it vigorously to lock it.	Slowly pull out the seatbelt and attach the child car seat.
AELR If you pull out all the seatbelt and then let it rewind, the child car seat securing function will work and you will not be able to stretch the seatbelt anymore. (It will be released when the entire anymore seatbelt is rewound.)	It is dangerous to completely pull out the seatbelt. Return the seatbelt once to cancel the child car seat securing before attaching the child car seat.
Other Seatbelts that do not apply to the above.	The other seatbelts cannot be used.

* If you are unsure of the type of seat belt, please contact your automobile manufacturer.

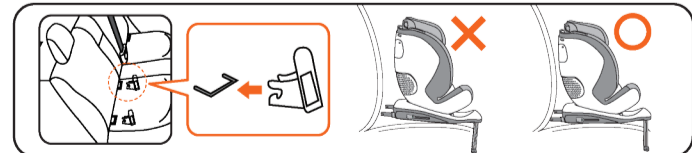
1.4 Preparation of Installation

⚠ DANGER

- Do not install the child car seat by a method other than described in this user manual and indicated on the main body.
- This product cannot be fastened using the vehicle seatbelt in the child seat mode.
- Do not install the child car seat to a vehicle seat equipped with a front air bag. In case of collision, the deploying airbag will strongly impact the child car seat, which is dangerous to the child.

- Park the vehicle in a flat location where doors can be fully opened. Slide the front seat forward and tilt the backrest to the front to create space for easier installation to the vehicle.
 - Remove the vehicle headrest if possible. Store the removed vehicle headrest in the trunk or cargo compartment. Recline the vehicle seat backrest slightly if possible.
 - Fit the ISOFIX insertion guides onto the ISOFIX anchors.
- * However, note that attaching the ISOFIX connectors may increase the gap between the back of the base and seat backrest for some vehicle seats. In these cases, install the child car seat without using the ISOFIX connectors.

*Example

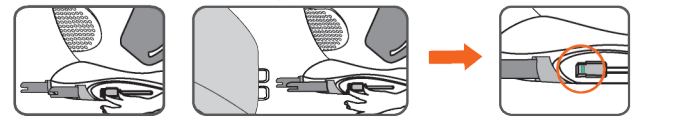


1.5 Installing the ISOFIX connector

- Press down and hold the ISOFIX adjuster button on both sides of the child safety seat and pull it out horizontally to the longest at the same time.
- Fit the ISOFIX connectors onto the right and left ISOFIX anchors of the vehicle seat and push the ISOFIX connectors until they lock with a 'click' sound, at this time, and the 2 sides ISOFIX indicator turns "Green" to complete the installation successfully.
- Hold the base and try to rock the child car seat in all directions to make sure it is installed securely after the installation.

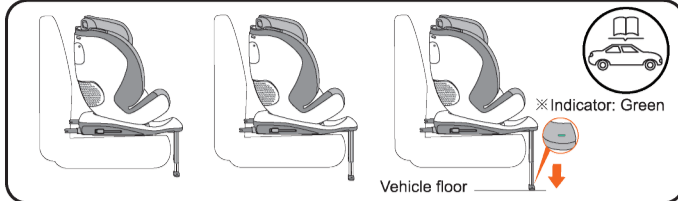
Uninstalling method

Simultaneously press down and hold the ISOFIX button on both sides of the child safety seat base until hear the sound of unlocking before pull out the seat.



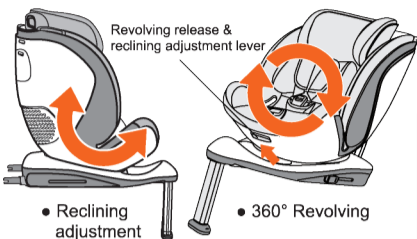
1.6 Using support leg

- 1) While pressing the length adjustment button of the supporting leg, extend the supporting leg until the supporting leg base presses firmly against the vehicle floor.
- 2) Release the length adjustment button and further extend the supporting leg until it locks with a "Click" sound.
- 3) Check that the color indicator shows the locked condition ("green" is shown).



1.7 Using the reclining function & rotating the seat

- 1) Pull the lever to adjust the angle and rotate the seat in the direction as shown in the figure below.
- 2) Recline or rotate the seat base to an appropriate position, and release the lever. The seat base will be automatically locked again.



CAUTION

- Be sure to refer to the section "Conditions of Use" to choose an appropriate back angle and a correct installation direction according to the height of the child.
- After the lever is pulled to unlock the seat, angle adjustment and seat rotation can be carried out at the same time.

1.8 Adjusting the baby shoulder belt position

Please refer to the "Position of Child Shoulder Belt" in "1.3 Conditions of Use".

When using as the child seat mode

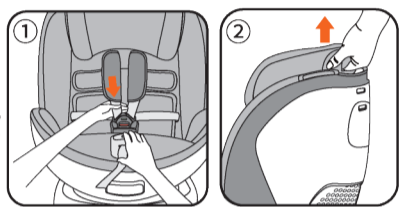
- 1) While pressing the baby belt adjustment button, pull both the left and right baby belts forward to loosen the baby belts.

※ Do not pull on the shoulder belt covers, as this will not loosen the baby belts.

- 2) Pull up the head guard adjustment lever, adjust the height of the head guard to a proper position.

When using as the junior seat mode

Please refer to Fig 2, pull up the head guard adjustment lever, adjust the height of the head guard to a proper position.

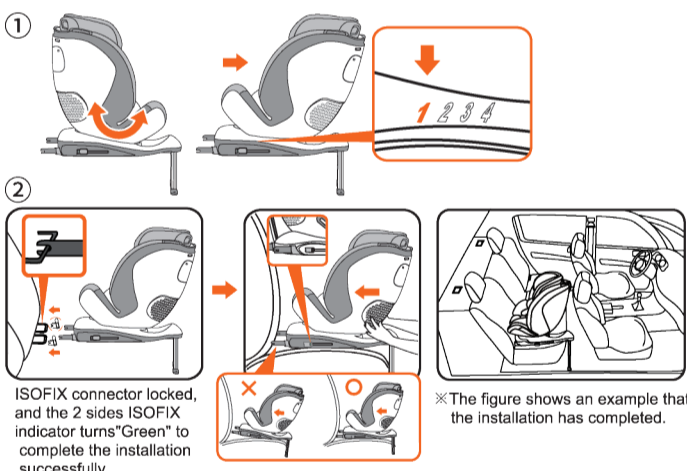


2. Using Child Seat Mode Rearward facing



2.1 Installing to the Vehicle

- 1) Pull the lever under the base forward and rotate the base 180° to the maximum angle (when the arrow below the seat is aligned with the number "1" on the base).
- 2) Install the ISOFIX connector by following the steps in Section 1.5, push the child car seat firmly against the back of the car seat.
- 3) Secure the support legs by following the steps in Section 1.6.

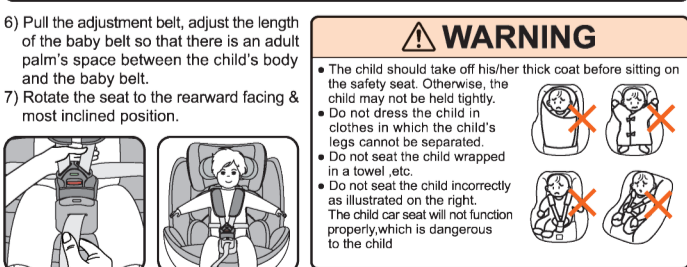


2.2 Seating the Child

- 1) While pushing up the revolving release lever, rotate the seat so that the front faces the vehicle door side to make it easier to seat the child.
- 2) Press the baby belt adjustment button to loosen the baby belts.
- 3) Press the buckle button and remove the insert tongue from the buckle. Seat the child deeply into the child car seat and pass the child's arms through the left and right baby belts.
- 4) Match the left and right insert tongues and insert them into the buckle until they lock with a "Click" sound. Make sure that the buckle color indicator changes to "green".
- 5) Pull down the baby waist belt to firmly hold the pelvis position. The baby shoulder belt should always be located in the center of the child's shoulder.

WARNING

- Do not use the child car seat if the indicator does not change to green when the insert tongue is inserted into the buckle.
- Check that the baby belt is not twisted or loose. Always pull down the baby waist belt to firmly hold the pelvis position.
- Always adjust the baby belt to the proper length. If the baby belt is not fit to the child's body, the child may tumble out of the child car seat in the event of collision or a loose baby belt may wrap around the child's neck and result in suffocation.



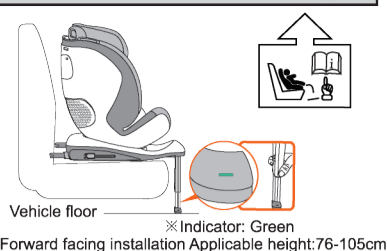
2.3 Checklist after Installation

- After installation, check the following to make sure that the child car seat is installed properly.
- 1) Please ensure that the child car seat is tightly fastened against.
 - 2) Check that the color of ISOFIX connector indicators show the locked condition ("green" is shown).
 - 3) Check that the length of the supporting leg is adjusted so that the supporting leg base presses firmly against the vehicle floor.
 - 4) Hold the base and try to rock the child car seat in all directions to make sure it is installed securely. If you have any questions, please contact Combi's Customer Service Center.

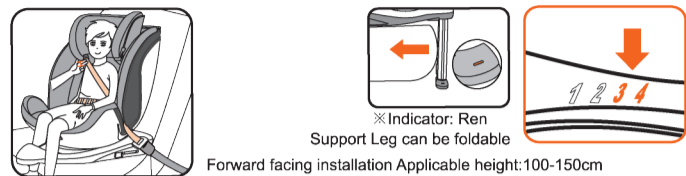
3. Using Child Seat Mode Forward facing

Method of erection

- 1) Keep the base facing forward and recline it to an appropriate angle.
 - 2) Install the ISOFIX connector by following the steps in Section 1.5, push the child car seat firmly against the back of the car seat.
 - 3) Secure the support legs by following the steps in Section 1.6.
- ※ The method for seating the child and the confirmation method after installation are the same as those in Section 2.2/2.3.

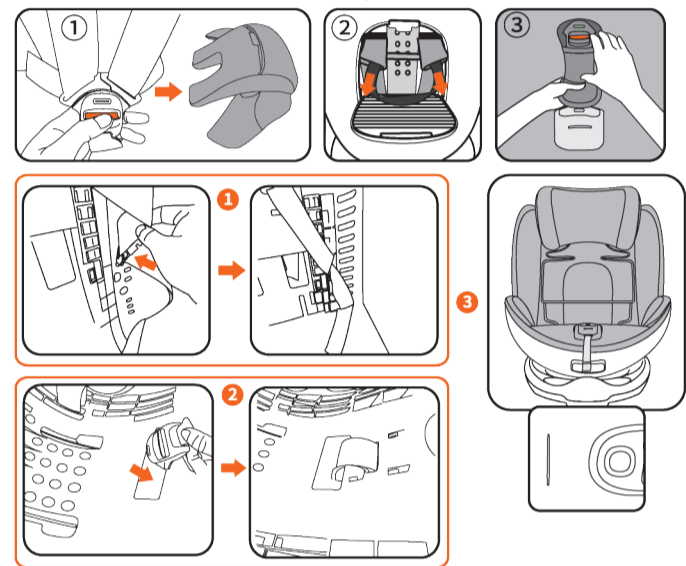


4. Using Junior Seat Mode



4.1 Child Seat Mode Changing to Junior Seat Mode

- 1) Undo the buckle, unlock the child safety belt, and remove the body cushion.
 - 2) Remove the shoulder belt cover by following the steps in Section 5.4.
 - 3) Remove the crotch belt cover from the buckle by following the steps in Section 5.5.
 - 4) Lift the cover of the headrest fabric sleeve and the back cover of the seat fabric sleeve.
 - 5) Support Leg can be foldable for Junior Seat mode.
- 1) Clip the shoulder belt and the buckle tongue into the plastic gap on the back.
 - 2) As shown below, insert the buckle seat inward through the cloth cover and place it in the buckle slot inside the seat.
 - 3) After child safety belt hidden, assemble the seat cloth and turn the headrest upside down and use it as a lumbar support.
- ※ Do not leave the removed shoulder belt cover and body cushion inside the vehicle. They may move inside the vehicle and interfere with driving. (Keep them in a safe place and do not lose them.)
- ※ Please follow the reverse order of the above steps to restore to the child seat mode.
- ※ To restore to the child seat mode, follow the steps above in reverse order.



4.2 Installing to the Vehicle

- 1) Keep the seat facing forward and adjust the back angle until the arrow below the seat is aligned with the number "3" or "4" on the base.
 - 2) Install the ISOFIX connector by following the steps in Section 1.5.
 - 3) Pull out the car seatbelt, then run it through the shoulder belt guide and the left and right lap belt guides of the seat as shown in the figure, and finally push the buckle tongue into the buckle until you hear a "click" sound.
- ※ Please fold the support leg under the car seat base if junior seat mode.

WARNING

If the vehicle buckle or insert tongue hits the child car seat body and the vehicle seatbelt becomes loose, the installation becomes unstable. Do not use the child car seat unless it is stable.



4.3 Seating the Child

- 1) Remove the insert tongue from the vehicle buckle once, have your child sit deep in the child car seat and adjust the height of the head guard to suit your child.
- WARNING**
- The shoulder area belt guide adjusts the vehicle seatbelt (shoulder area) so that it is fastened in the correct shoulder position for the child. As the child grows and the shoulder area belt guide is lowered, readjust the height of the head guard.
- 2) Pull out the vehicle seat belt, guide it through the shoulder strap and the left and right belts of the seat as shown in the figure, and finally buckle the buckle piece on the buckle seat until you hear a click. If the vehicle seatbelt is loose, pull the vehicle seatbelt (shoulder area) upward to adjust the tension.

WARNING

- Check that the vehicle seatbelt is not twisted or loose.
- Always pull down the vehicle seatbelt (waist area) to firmly hold the pelvis position.
- This product becomes unstable if it is not fastened with the vehicle seatbelt. If the child gets on and off by themself without the assistance of an adult, they may slide off the vehicle seat or fall down. Be sure to have an adult take them down.
- Make sure that the child's arm comes over the vehicle seatbelt.
- Sitting the child as below may cause the child car seat to function improperly, which is dangerous to the child.
 - The child squeezes or leans forward.
 - The child is sitting with their body leaning to the left or right.
 - Children should sit upright, don't put the feet on the child car seat when the child is sitting.

4.4 Checklist after Installation

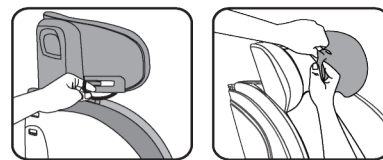
- After the child is seated and the vehicle seatbelt is fastened, check the following to make sure that the child car seat is installed properly.
- 1) Please ensure that the child car seat is tightly fastened against.
 - 2) Check that the vehicle seatbelt has passed through the shoulder area belt guide, does not compress the child's neck and is not off the shoulder of the child.
 - 3) Check that the vehicle seatbelt fits the child and is not twisted or loose.
 - 4) Check that the vehicle seatbelt is around the child's pelvis position.
 - 5) Check that the insert tongue of the vehicle seatbelt is securely inserted into the vehicle buckle and cannot be disconnected.
 - 6) Check that the vehicle seatbelt passes through the right and left waist belt guides.
 - 7) Check that the connector release button indicator shows "green".
 - 8) Check that the right and left sides of the child car seat main body and the vehicle seat are parallel. (The ISOFIX connector is not pushed further on only one side.)

5. Attaching and Removing the Covers

※ Installation is the reverse procedure from removal.

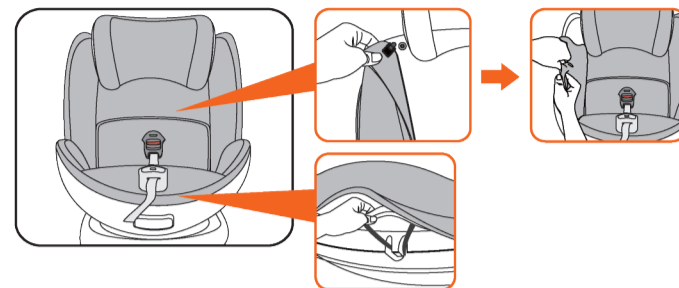
5.1 Removing the headrest fabric sleeve

- 1) Remove the rubber band fixed on the shoulder belt guide under the headrest fabric sleeve.
- 2) Carefully remove the headrest fabric sleeve along the groove on the edge of the headrest.



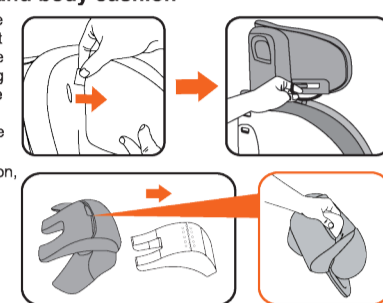
5.2 Removing the seat fabric sleeve

- 1) Press the adjuster button to release the child safety belt and lift the headrest.
- 2) Release the left and right buttons of the seat fabric sleeve on both sides of the headrest.
- 3) Release the rubber band for fixing the seat fabric sleeve in front of the car seat.
- 4) Carefully remove the seat fabric sleeve along the edge of the main body.



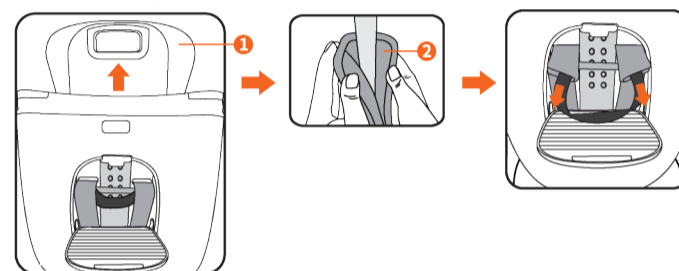
5.3 Removing the headrest and body cushion

- 1) Remove the rubber band fixed on the shoulder belt guide below the headrest and then remove the fabric belt on the back of the headrest from the opening of the headrest fabric sleeve to remove the headrest.
 - 2) Unlock the child safety belt and remove the body cushion from the car seat.
- ※ To clean the headrest and body cushion, please remove the internal fillers.



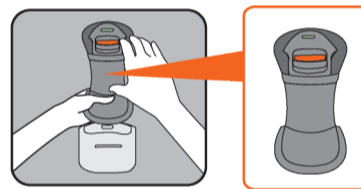
5.4 Removing the shoulder belt cover

- 1) Open the storage cover on the back.
- 2) Loosen the child safety belt, lift the headrest, and unbutton the shoulder belt cover.
- 3) Pull the left and right shoulder belt covers out of the back of the Child Car Seat.



5.5 Removing the crotch belt cover

- Unlock the child safety belt, pull the buckle strap with one hand, and pull out the crotch belt cover with the other hand.



6. Maintenance Method

Washing the seat cover and other sewn parts.



Maintenance of the main body and baby belt

Normally wipe clean with a well-wrung wet (water) cloth. When extremely dirty, remove the dirt using a solution or neutral detergent diluted with water, then wipe with a wet (water) cloth and dry in shade.

Urethane materials

- The dyestuff used in the seat cover and other sewn parts may transfer to the urethane materials on the back of these parts. However, this is not a problem for quality or safety.

WARNING

Do not use undiluted neutral detergent, gasoline, benzene or other organic solvents when cleaning. These may damage the main body and baby belt, which is dangerous to the child.

7. Storage and Disposal

Storage

Main body

When the child car seat will not be used for a long period of time, uninstall it and store in a well-ventilated place out of direct sunlight and away from children.

Disposal

- When disposing of the child seat, follow the standards of your municipality or region.
- The child car seat may suffer structural damage in the event of collision or even if it is dropped one time or falls from a high level. In this case, immediately stop using the child car seat even if no damage is visible. When disposing of the child car seat after an accident, remove the seat cover and other parts before disposal to prevent the child car seat from being reused.

Standard service life

The Standard Service Life of this product ten years after new purchase. Once this standard service life has passed, material aging may prevent the child car seat from functioning properly, which is dangerous to the child. To avoid unforeseen circumstances, refrain from use past the standard service life.

- Always make sure to store the receipt (proof of purchase) issued by the dealer as a record of the new purchase date.
- Even within the standard service life, the product may malfunction due to use, environment and storage conditions, and quality is not guaranteed during this period. Repairs past the warranty period of "one year from the date of purchase" noted on the warranty card will entail a charge.
- For reasons of overall product safety, repair of products past the standard service life cannot be accepted.
- Refrain from reusing products with an unknown usage history.